

SEALEY

38L DUST-FREE WET & DRY INDUSTRIAL VACUUM CLEANER STAINLESS STEEL DRUM CLASS M FILTRATION

MODEL NO: **PC380M**

Thank you for purchasing a Sealey product. Manufactured to a high standard, this product will, if used according to these instructions, and properly maintained, give you years of trouble free performance.

IMPORTANT: PLEASE READ THESE INSTRUCTIONS CAREFULLY. NOTE THE SAFE OPERATIONAL REQUIREMENTS, WARNINGS & CAUTIONS. USE THE PRODUCT CORRECTLY AND WITH CARE FOR THE PURPOSE FOR WHICH IT IS INTENDED. FAILURE TO DO SO MAY CAUSE DAMAGE AND/OR PERSONAL INJURY AND WILL INVALIDATE THE WARRANTY. KEEP THESE INSTRUCTIONS SAFE FOR FUTURE USE.



Refer to instruction manual



Vacuum cleaners of dust category M according to IEC/EN 60335-2-69 for dry vacuuming of hazardous dusts with an exposition limit value ≥ 0.1 mg/m³



Wear protective clothing



Wear a P-2 respirator when changing bags, filter or cartridges

1. SAFETY

1.1. ELECTRICAL SAFETY

- ❑ **WARNING!** It is the user's responsibility to check the following:
Check all electrical equipment and appliances to ensure that they are safe before using. Inspect power supply leads, plugs and all electrical connections for wear and damage. Sealey recommend that an RCD (Residual Current Device) is used with all electrical products. You may obtain an RCD by contacting your local Sealey stockist.
If the product is used in the course of business duties, it must be maintained in a safe condition and routinely PAT (Portable Appliance Test) tested.

Electrical safety information, it is important that the following information is read and understood.

Ensure that the insulation on all cables and on the appliance is safe before connecting it to the power supply.

Regularly inspect power supply cables and plugs for wear or damage and check all connections to ensure that they are secure.

Important: Ensure that the voltage rating on the appliance suits the power supply to be used and that the plug is fitted with the correct fuse - see fuse rating in these instructions.

- ✗ **DO NOT** pull or carry the appliance by the power cable.
- ✗ **DO NOT** pull the plug from the socket by the cable.
- ✗ **DO NOT** use worn or damaged cables, plugs or connectors. Ensure that any faulty item is repaired or is replaced immediately by a qualified electrician.

This product is fitted with a BS1363/A 13 Amp 3 pin plug.

If the cable or plug is damaged during use, switch off the electricity supply and remove from use.

Ensure that repairs are carried out by a qualified electrician.

Replace a damaged plug with a BS1363/A 13 Amp 3 pin plug. If in doubt contact a qualified electrician.

a) Connect the GREEN/YELLOW earth wire to the earth terminal 'E'.

b) Connect the BROWN live wire to the live terminal 'L'.

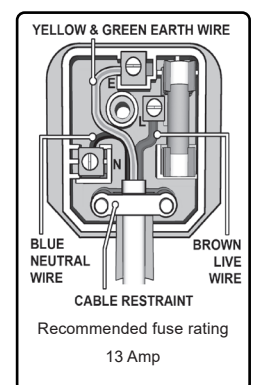
c) Connect the BLUE neutral wire to the neutral terminal 'N'.

Ensure that the cable outer sheath extends inside the cable restraint and that the restraint is tight.

Sealey recommend that repairs are carried out by a qualified electrician.

1.2. GENERAL SAFETY

- ✓ Safety precautions must be observed to avoid injuries and damage. Read the complete operating manual carefully. Keep this manual in a safe place so that the information is always available to ANY users of the equipment.
- ✓ Never leave the appliance switched on unattended. If the operator leaves the work area, switch the appliance off or unplug it from the power supply.
- ✗ **DO NOT** vacuum or use this vacuum cleaner near flammable liquids, gases or explosive vapours like gasoline or other fuels, lighter fluids, cleaners, oil-based paints, natural gas, hydrogen, or explosive dusts like coal dust, magnesium dust, grain dust or gun power. Sparks inside the motor can ignite flammable vapours or dust.
- ✓ This vacuum cleaner is not suitable for the vacuuming of asbestos or asbestos dust.
- ✗ **DO NOT** vacuum anything that is burning or smoking, such as cigarettes, matches, or hot ashes.
- ✓ Ensure the hose and connections are always pointed away from the users face, hair, ears and eyes during operation and never direct the nozzle towards persons or animals.
- ✓ Clear the working area of any items or possessions that do not need to be vacuumed before using equipment
- ✓ Keep mains cable away from heated surfaces.
- ✗ **DO NOT** expose to rain. Store indoors.
- ✗ **DO NOT** unplug by pulling on the mains cable. To unplug, grasp the plug, not the cable.
- ✗ **DO NOT** use with damaged cord, plug or other parts.
- ✗ **DO NOT** pull or carry by cable, use cable as handle, close a door on the cable, or pull cable around sharp edges or corners.
- ✓ If the supply cord is damaged, it must be replaced by the manufacturer, a qualified service agent or similarly qualified persons in order to avoid a hazard.
- ✗ **DO NOT** handle the plug or vacuum cleaner with wet hands.
- ✓ Frequently check that the float valve positioned underneath the motor is able to move freely.
- ✗ **DO NOT** use this vacuum cleaner with a torn filter or without the filter installed.



- × **DO NOT** allow to be used as a toy. Close attention is necessary when used by or near children.
 - ☐ **WARNING!** To reduce the risk of injury from accidental starting, unplug power cord before changing or cleaning filter.
 - ☐ **WARNING!** Unplug from power supply when not in use and before carrying out maintenance.
 - × **DO NOT** cover the ventilation openings. **DO NOT** vacuum with any ventilation openings blocked; keep free of dust, lint, hair or anything that may reduce air flow.
 - ✓ Keep hair, loose clothing, fingers, all parts of body away from openings and moving parts.
 - ✓ This machine is not intended for use by persons (including children) with reduced physical, sensory or mental capabilities, or lack of experience and knowledge. Children shall not play with the appliance. Cleaning and user maintenance shall not be made by children without supervision. For additional protection: It is recommended that this vacuum cleaner can be used in conjunction with residual current device (RCD) with a rated residual current of 30mA or less.
 - ✓ Only use the socket outlet on the machine for purposes specified in the instructions.
 - ✓ If foam or liquid escapes from the machine, switch off immediately.
 - ✓ Check the float valve regularly to ensure it is moving freely and examine it for signs of damage.
 - ✓ Precautions should be taken when changing attachments.
 - ✓ For user servicing, the machine must be dismantled, cleaned and serviced, as far as is reasonably practicable, without causing risk to the maintenance staff and others. Suitable precautions include decontamination before dismantling.
 - ✓ Provision must be made for local filtered exhaust ventilation where the machine is dismantled, cleaning of the maintenance area and suitable personal protection must be worn whilst carrying out these tasks.
 - ✓ Perform a technical inspection at least annually, consisting of, for example, inspection of filters for damage, air tightness of the machine and proper function of the control mechanism.
 - ✓ Besides the operating instructions and the binding accident prevention regulations valid in the country of use, observe recognized regulations for safety and proper use.
 - ✓ When dust removers are used, the rate at which air is exchanged in the room must be adequate if the exhaust air from the vacuum cleaner is blown into the room (please observe regulations valid in the country of use).
 - ✓ **Before starting work, the operating staff must be informed on:**
 - use of the vacuum cleaner
 - risks associated with the material to be picked up
 - safe disposal of the picked up material.
 - ✓ Before transporting the collection tank, close all the locks.
 - × **DO NOT** tilt the cleaner if there is liquid in the collection tank.
 - × **DO NOT** use a crane hook to lift the cleaner.
 - ✓ For class M machines, the outside of the machine should be decontaminated and wiped clean or treated with sealant before being taken out of a hazardous area. All the machine parts shall be regarded as contaminated when removed from the hazardous area and appropriate action taken to prevent dust dispersal.
- If an extension reel is used it should be fully unwound before connection. A reel with an RCD fitted is preferred since any appliance plugged into it will be protected. The cable core section is important and should be at least 1.5mm², but to be absolutely sure that the capacity of the reel is suitable for this product and for others which may be used in the other output sockets, we recommend the use of 2.5mm² section cable. If an extension reel is to be used outdoors, ensure it is marked for outdoor use.

2. INTRODUCTION

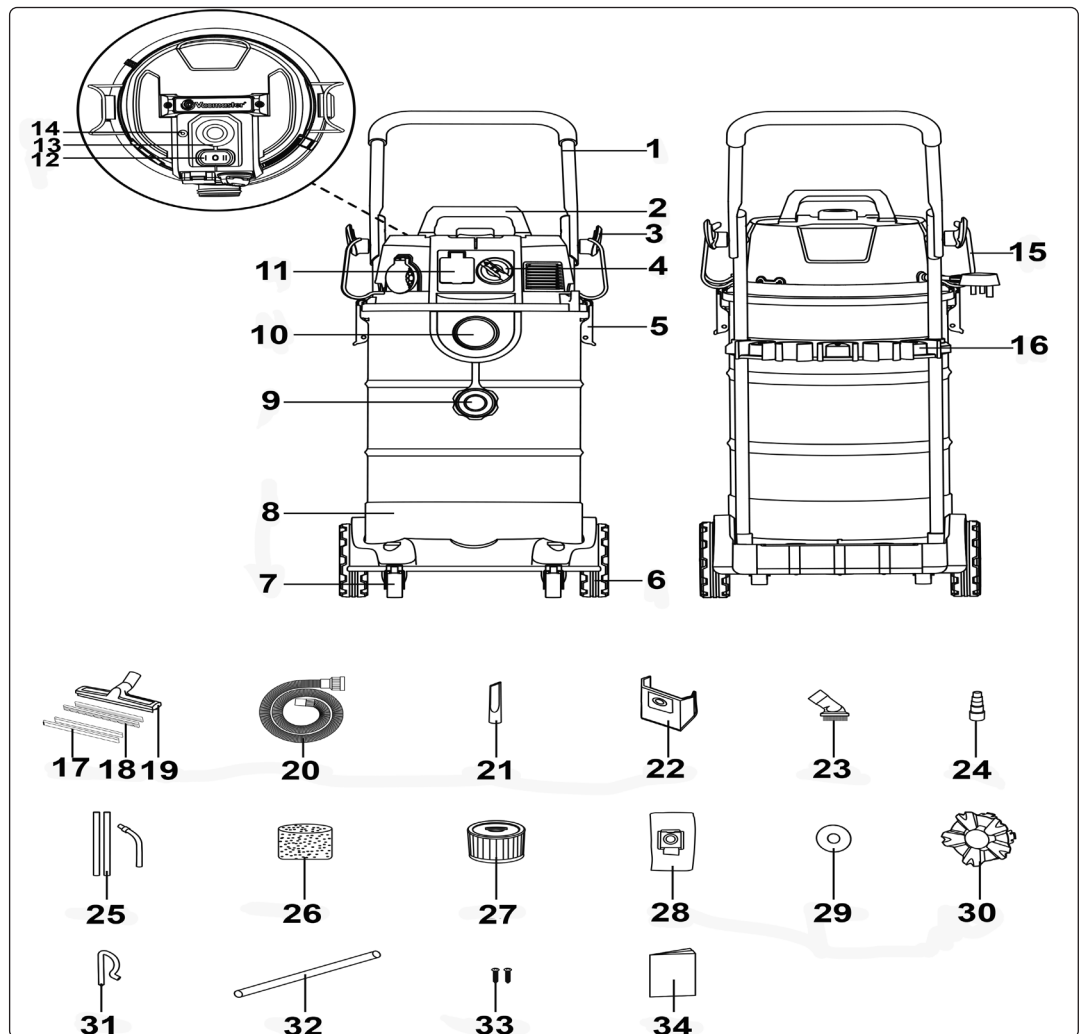
230V M Class wet and dry vacuum cleaner with a 38 litre stainless steel drum. Removes 99.9% of hazardous dust with the exposure limit value of >0.1mg/m³. When the air velocity starts to fall below 20 metres per second a visual LED warning light on the top of the unit will show. Built-in push clean system that forces air back through the filter restoring the suction power. Uses a combination of filters and lining bags to create a 2-stage collection to stop any hazardous dust being left in the tank or becoming airborne, it also has the option of using a foam filter for wet cleaning which is re-usable (all consumables are included, 5 x Tank liners, 5 x dust bags and 1 x foam filter). Included accessories are antistatic crevice tool, antistatic round brush, multi-surface floor nozzle 12" and Power tool adapter.

3. SPECIFICATION

Model no	PC380M
Airflow	147.6m ³ /hr
Consumable parts	
Foam filter (x3).....	PC380MFF
Cartridge filter Class M	PC380MCF
Tank liner Class M (x5)	PC380MTL,
Dust bag class M (x5)	PC380MDB
Drum size.....	38L
Max. vacuum pressure.....	25Kpa
Motor power	1500W
Power tool capacity.....	230V - 1490W
Supply	230V
Vacuum accessories diameter	35mm

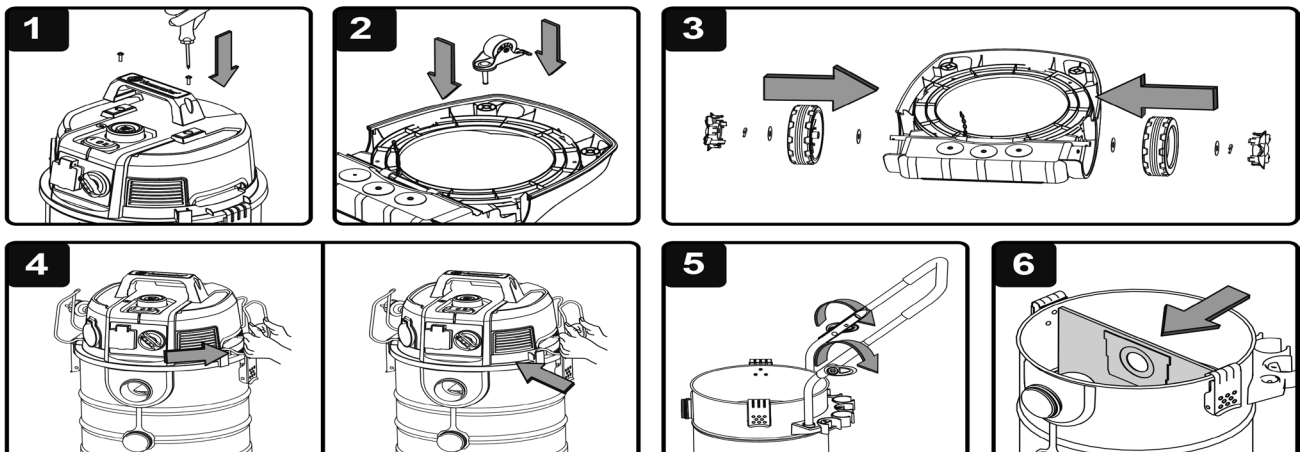
4. CONTENTS

- 1 Handle
- 2 Carry handle
- 3 Wing knob
- 4 Power regulator
- 5 Latch
- 6 Rear wheel
- 7 Front castor
- 8 Container
- 9 Cover gasket
- 10 Suction port
- 11 Power take off socket
- 12 On/off switch
- 13 Filter cleaning button
- 14 Air flow indicator
- 15 Hose storage rack
- 16 Accessory storage
- 17 Squeegee inserts
- 18 Brush inserts (pre-installed)
- 19 Floor nozzle
- 20 Suction hose
- 21 Crevice tool
- 22 Dust bag (x5)
- 23 Round dust brush
- 24 Power tool hose adaptor
- 25 Metal extension wand (x3)
- 26 Foam filter
- 27 Cartridge filter (pre-installed)
- 28 Disposable bag (x5)
- 29 Washer (x4)
- 30 Hub cap (x2)
- 31 Wheel retaining pin (x2)
- 32 Wheel axle
- 33 Screw (x2)
- 34 Manual

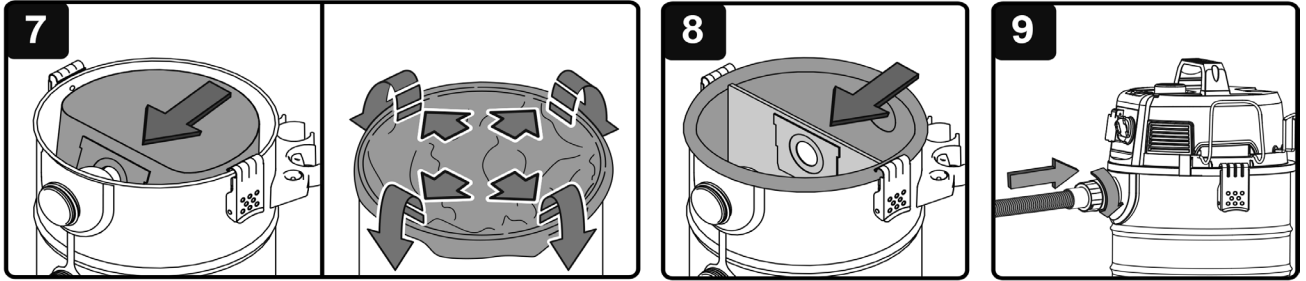


5. ASSEMBLY

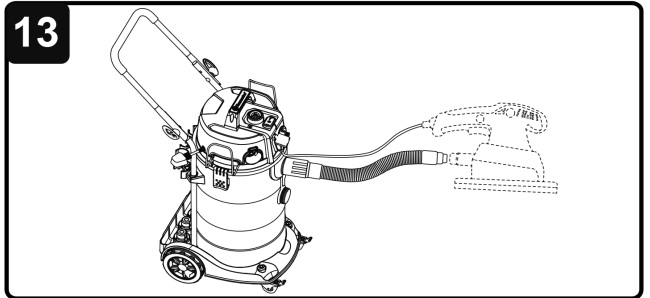
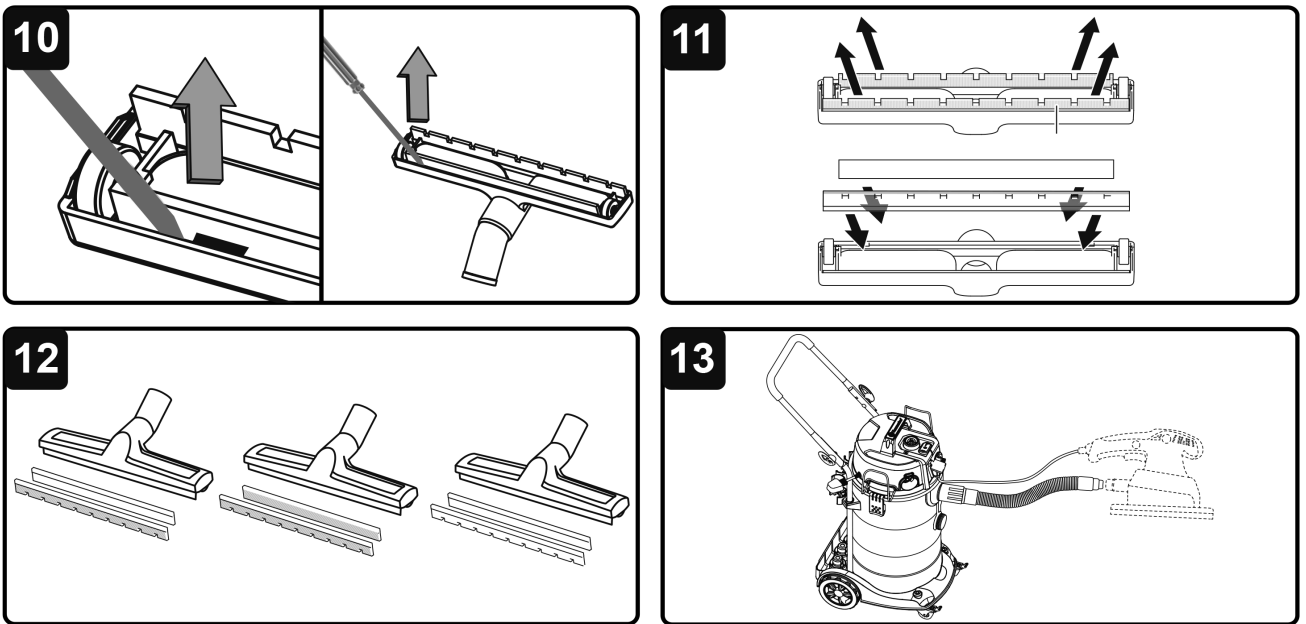
- 5.1. Remove all the contents from inside of the vacuum cleaner container.
- 5.2. Attach the carry handle into the slots located on the top of the power head. Secure them with supplied screws (Fig. 1).
- 5.3. Turn the container upside down and insert the front feet with casters into the slots and apply pressure until they click into place (Fig.2).
- 5.4. Insert the wheel axle into the rear wheel housing on the base. Insert a washer onto the axle followed by the rear wheel and another washer. Repeat the same steps on the other end of the axle (Fig. 3).
- 5.5. To position the hose storage rack, insert one end into the channel on the side of the power head, making sure it is secured in place. Apply inward pressure to the other side and insert it into the opposite channel (Fig. 4).
- 5.6. Unfold the upper handle assembly into the upright position. The upper handle has two adjustable height positions. Secure in place by tightening the knobs clockwise (Fig. 5).
- 5.7. The vacuum cleaner comes ready for dry vacuum cleaning with the cartridge filter pre-installed. If the cartridge filter is not installed, refer to section 6.6.
- 5.8. To maintain M-class certification this vacuum cleaner must be used with a means of disposable collection. By removing the dust bag and disposable bag when collecting debris the user runs the risk of voiding vacuum cleaner certification.
- 5.9. **To use a dust bag**, fully fit the dust bag flange onto the inlet stub (Fig. 6).



- 5.10. **To use disposable bag**, place the disposable bag into the container, and fully fit the tank liner flange onto the inlet stub. Fold the top edge of the tank liner over the rim of the container (Fig.7).
- 5.11. To use a disposable bag and a dust bag together, place the disposable bag into the container and fully fit the disposable bag flange onto the inlet stub, and fold the top edge of the disposable bag over the rim of the container, then fully fit the dust bag flange onto the inlet stub (Fig. 8).
- 5.12. For wet vacuum cleaning, replace the cartridge filter with the foam filter supplied. **DO NOT** use a dust bag and/or a disposable bag when wet vacuuming. If the foam filter is not installed, refer to section 6.7.
- 5.13. Secure the power head back on the container using the latches. Insert the locking end of the hose into the suction port of the container and turn clockwise to lock into place (Fig. 9).



- 5.14. Choose the desired accessories and/or extension wands and push fit onto the hose nozzle.
 - 5.15. **FLOOR NOZZLE ATTACHMENTS**
 - 5.15.1. The floor nozzle comes supplied with additional attachments to ensure correct suction across different floor surfaces and applications.
 - 5.15.2. To remove the floor nozzle attachments, turn the floor tool holder upside down.
 - 5.15.3. Using a flathead screwdriver or other suitable tool, locate the holding clips on each outer edge.
 - 5.15.4. Insert a flat edged object directly next to the holding clip, between the insert and the floor tool holder. Pry the attachment up from underneath (Fig. 10 & 11).
 - 5.15.5. Insert the new attachments into the holder applying downwards pressure (Fig. 11).
 - 5.15.6. The attachments can be used in three combinations (Fig. 12):
 - Brush and Squeegee Combination: For use with mixture of wet or dry liquids.
 - Dual Brush Combination: For use with dry materials or carpeted floor surfaces.
 - Dual Squeegee Combination: For use on hard floor with wet liquids.
- NOTE: The textured side of the rubber squeegee must be facing outwards.



6. OPERATION

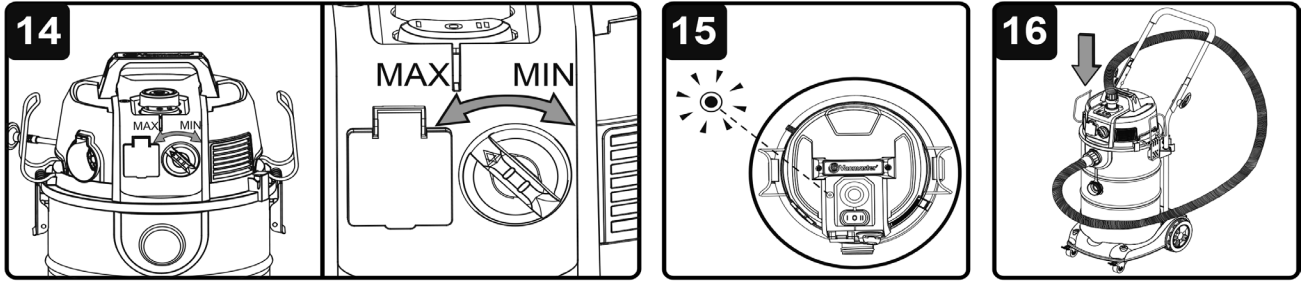
6.1. SWITCHING ON/OFF

Position	Status
I	on
0	off
II	automatic synchronized start-up



- 6.1.1. Connect the mains plug to a suitable power outlet.
- 6.2. **POWER TOOL TAKE-OFF OPERATION (FIG. 13)**
 - **WARNING!** Always check the maximum wattage compatibility of the power tool take off socket against the desired power tool before connecting to prevent overloading.
 - 6.2.1. Connect the power cable of your power tool to the power take-off socket.

- 6.2.2. If applicable, connect the vacuum suction hose to the dust extractor connector on your tool with the supplied adaptor.
- 6.2.3. Switch the vacuum cleaner to position II, as described in Switching ON/OFF. The moment you switch on the power tool, the vacuum cleaner will also switch on. Once the electrical appliance has been switched off, the vacuum cleaner switches off following a time lapse (around 5 seconds) to allow the suction tube to be emptied.



6.3. POWER REGULATOR

6.3.1. The airflow can be continuously adjusted by turning the power regulator (Fig. 14).

MIN: Reduced suction for applications which generate a low level of dust.

MAX: Maximum suction performance for use in applications which generate a high level of dust.

6.4. FILTER CLEANING OPERATION

IMPORTANT: Only perform the filter cleaning operation when the cartridge filter is installed.

6.4.1. After continuous dry vacuuming operation, air flow will decrease due to heavy accumulation of material and debris on the cartridge filter. This vacuum is equipped with integrated filter cleaning to increase dust collection efficiency.

6.4.2. When reduction of air flow ($\leq 20\text{m/s}$) has occurred during operation, the air flow indicator next to the filter cleaning button located on top of the power head will admit a flashing red LED. If the suction performance diminishes, you can improve the suction power with the help of the filter cleaning system (Fig. 15).

6.4.3. Position the end of the suction hose nozzle into the channel located within the filter cleaner button.

6.4.4. Move the on/off switch to the "I" position.

6.4.5. Turn the power regulator to the MAX position.

6.4.6. Press the filter cleaning button down and hold it down for 3-4 seconds (Fig. 16).

6.4.7. Repeat the process two more times.

6.5. WET AND DRY VACUUMING OPERATION

WARNING! ENSURE YOU READ, UNDERSTAND AND APPLY SECTION ENTITLED 'SAFETY INFORMATION'.

WARNING! DO NOT VACUUM IN AREAS WITH FLAMMABLE GASES, VAPOURS, OR EXPLOSIVE DUSTS IN THE AIR.

FLAMMABLE GASES OR VAPOURS INCLUDE BUT ARE NOT LIMITED TO; LIGHTER FLUID, SOLVENT TYPE CLEANERS, OIL-BASE PAINTS, GASOLINE, ALCOHOL OR AEROSOL SPRAYS. EXPLOSIVE DUSTS INCLUDE BUT ARE NOT LIMITED TO; COAL, MAGNESIUM, GRAIN OR GUN POWDER.

6.5.1. Verify that the correct filter is installed and the container latches are secured.

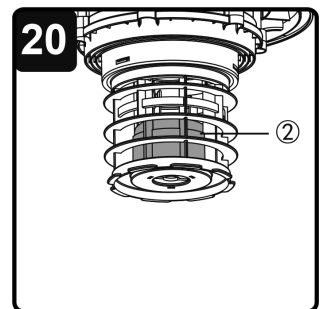
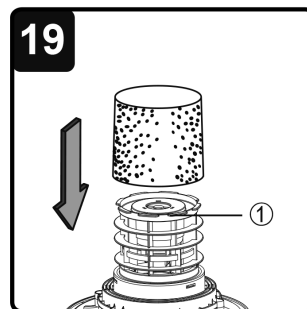
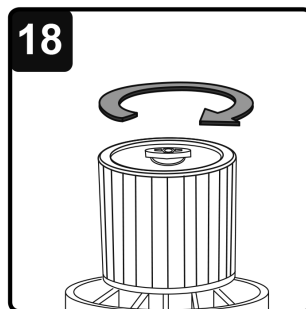
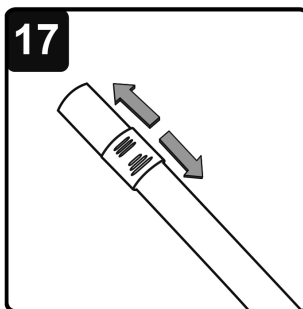
6.5.2. Secure the locking end of the hose into the vacuum suction port.

6.5.3. Push the desired accessories onto the hose nozzle. The air flow regulation allows you to change vacuum cleaner suction. For best cleaning results, fully close the air flow regulation (Fig. 17).

6.5.4. Plug the power cord into a power outlet.

6.5.5. Turn on the motor by assigning the switch to the "I" ON position.

6.5.6. Once you have completed vacuuming, switch to the "O" OFF position and unplug the power cord from the power outlet.











6.6. DRY VACUUMING

WARNING! BEFORE INSTALLING, REMOVING OR CLEANING THE VACUUM CLEANER FILTER, ENSURE THAT THE POWER CORD IS SWITCHED OFF AND UNPLUGGED.

WARNING! ALWAYS USE A P2-RESPIRATOR WHEN VACUUMING HAZARDOUS DUSTS.

- 6.6.1. To prepare your vacuum cleaner for dry vacuuming, install the cartridge filter over the filter cage. Carefully push filter until it sits flush forming a tight seal. Tighten the filter retainer lock clockwise to secure against the internal filter cage (Fig. 18).
- 6.6.2. Install the dust bag and/or the disposable bag onto the suction port inlet. Refer to sections 5.9 & 5.10 for installation instructions.
IMPORTANT: Before picking up dust with occupational exposure limit values:
 Check that all the filters are present and properly fitted.
 For safety reasons, a visual warning indicator will activate if the air flow in the suction hose drops to below 20 m/s.

Depending on how hazardous the dust is, the cleaner must be fitted with appropriate filters and collection means.			
Dusts with OEL values ≥ 0.1 mg/m ³ (observe any additional national regulations) Wood dusts & concrete dusts	 + 	Cartridge filter + tank liner	Refer to Specification section for model numbers
	 + 	Cartridge filter + dust bag	
	 +  + 	Cartridge filter + dust bag + tank liner	
All dusts vacuuming must fit with cartridge filter.		Cartridge filter	

- IMPORTANT:** Dispose of the dirt in accordance with legal regulations.
- WARNING!** Remove the electrical plug from the socket before emptying after dry pick-up. After removing the suction hose from the machine, close the cover gasket.
- NOTE:** The requirements for the ingress degree (dust category M) have only been certified for dry vacuuming.
- IMPORTANT:** Check the filter regularly for optimal performance. An old or blocked filter will reduce suction performance.
- WARNING!** When using the tank liner, be careful not to vacuum heavy or sharp objects.
 - WARNING! When removing the tank liner, use a P2-respirator, and securely tie a knot in the disposable bag.**
 - * **DO NOT** make contact with any sharp objects and then carefully dispose of in accordance with local disposal regulations.
- 6.7. **WET VACUUMING:**
- CAUTION!** Never vacuum liquids without the water level limit system and foam filter in place.
- NOTE:** Empty the container before wet vacuuming.
- 6.7.1. To prepare your vacuum cleaner for wet vacuuming, release the retainer lock and remove the dry use cartridge filter.
- 6.7.2. Carefully install the supplied foam filter over the internal filter cage, making sure the whole cage is covered (Fig. 19.1).
- WARNING! DO NOT USE DUST COLLECTION BAGS FOR WET VACUUMING.**
- IMPORTANT!** The vacuum cleaner is equipped with a float valve which is operational during wet suction (Fig. 20.2). The suction power decreases when the maximum filling level is reached.
- 6.7.3. When this happens, switch the vacuum cleaner off immediately, and empty the container.

7. MAINTENANCE

- WARNING! REMOVE THE POWER CABLE FROM THE POWER SUPPLY BEFORE CARRYING OUT ANY MAINTENANCE.**
 - WARNING! ALWAYS USE A P2-RESPIRATOR WHEN PERFORMING ANY MAINTENANCE AND/OR REMOVING THE CARTRIDGE FILTER AFTER VACUUMING HAZARDOUS DUSTS.**
- 7.1. Keep all safety devices, air vents and the motor housing free of dirt and dust. Use a soft, dry brush to clean the equipment regularly.
- 7.2. Clear all dirt or debris from the collection tank after each use. Allow to dry before replacing the power head.
- 7.3. Check the hose, attachments, and power cable to verify that they have not been damaged or any debris is trapped and blocking airflow.
- 7.4. **CLEANING CARTRIDGE FILTER**
- IMPORTANT!** After vacuuming hazardous dusts, it is recommended to dispose of the cartridge filter within a sealed bag and dispose of in accordance with local disposal regulations.
- IMPORTANT!** When manually cleaning the cartridge filter, be careful not to damage the filter.
- 7.4.1. Remove the cartridge filter and clean by gently tapping or brushing dirt off. Ensure you always use a P2-respirator and only do so in a well ventilated environment.
- 7.4.2. For optimal performance it is recommended to replace the old filter with a new filter regularly.
- 7.4.3. If necessary, use a mild soap and water solution to wash cartridge filter and rinse with clean water. Allow the filters to air dry before re-installing.
- 7.5. **CLEANING FOAM FILTER**
- 7.5.1. Remove the foam filter and use a mild soap and water solution to wash and rinse with clean water (Fig. 21). Allow filter to air dry before installing and using again.

8. TROUBLESHOOTING

- WARNING!** Remove from mains supply before Troubleshooting or performing any maintenance.
- 8.1. **CLEANING PERFORMANCE**
- 8.1.1. If your motor is operating, then the most likely cause for a loss in suction is a blockage or an opening in the vacuum. To maintain a high cleaning performance from your machine, it is important to replace or clean cartridge filters as necessary.
- 8.1.2. Replace full dust collection bags to prevent performance drops. A performance drop with clean filters can only be caused by a blockage in the tools or the hose.

Problem	Possible cause	Solution
The appliance does not work	No power	Check the power supply and fuse.
	Functional fault in the mains cable, switch or motor.	Have damaged part checked by qualified personnel or contact Sealey stockist.
Dust is escaping from the motor cover.	The cartridge filter is missing or damaged.	Fit cartridge filter or replace it.
	Foam filter accidentally fitted when dry vacuuming.	Replace foam filter with the cartridge filter.
Power tool take off socket does not work.	Power tool wattage is not compatible with the power tool take off socket.	Check wattage is compatible with the power tool take off socket.
	Incorrect operating mode selected.	Ensure the switch is moved into position II.
Low suction power and high operating noise/vibrations	Dust bag or disposable bag is full	Replace dust or disposable bag.
	Suction nozzle, hose, or tank inlet is blocked.	Check the suction nozzle, hose and tank inlet for obstructions.
	Cartridge filter is blocked.	Remove the cartridge filter and clean.
	Float valve has closed.	Empty the container of any liquid waste and ensure the float valve (located under the filter) is able to move freely.
	Power regulator switch is set to minimum.	Adjust variable power regulator.
The air flow regulator is still flashing red after completion of filter cleaning operation.	Suction nozzle, hose or tank inlet is blocked.	Check the suction nozzle, hose and tank inlet for obstructions.
	The cartridge filter is heavily contaminated.	Remove and clean or replace with a new filter.
	The container is full.	Empty the container.



WEEE REGULATIONS

Dispose of this product at the end of its working life in compliance with the EU Directive on Waste Electrical and Electronic Equipment (WEEE). When the product is no longer required, it must be disposed of in an environmentally protective way. Contact your local solid waste authority for recycling information.



ENVIRONMENT PROTECTION

Recycle unwanted materials instead of disposing of them as waste. All tools, accessories and packaging should be sorted, taken to a recycling centre and disposed of in a manner which is compatible with the environment. When the product becomes completely unserviceable and requires disposal, drain any fluids (if applicable) into approved containers and dispose of the product and fluids according to local regulations.

Note: It is our policy to continually improve products and as such we reserve the right to alter data, specifications and component parts without prior notice.

Important: No Liability is accepted for incorrect use of this product.

Warranty: Guarantee is 12 months from purchase date, proof of which is required for any claim.

Sealey Group, Kempson Way, Suffolk Business Park, Bury St Edmunds, Suffolk. IP32 7AR



01284 757500



01284 703534



sales@sealey.co.uk



www.sealey.co.uk