



CORDLESS VACUUM CLEANER WET & DRY 20LTR 20V - BODY ONLY

MODEL NO: **PC20SD20V**

Thank you for purchasing a Sealey product. Manufactured to a high standard, this product will, if used according to these instructions, and properly maintained, give you years of trouble free performance.

IMPORTANT: PLEASE READ THESE INSTRUCTIONS CAREFULLY. NOTE THE SAFE OPERATIONAL REQUIREMENTS, WARNINGS & CAUTIONS. USE THE PRODUCT CORRECTLY AND WITH CARE FOR THE PURPOSE FOR WHICH IT IS INTENDED. FAILURE TO DO SO MAY CAUSE DAMAGE AND/OR PERSONAL INJURY AND WILL INVALIDATE THE WARRANTY. KEEP THESE INSTRUCTIONS SAFE FOR FUTURE USE.



Refer to instruction manual

1. SAFETY

- ✓ Remove the battery pack from the cleaner before servicing, changing accessories, or performing any maintenance.
- ✓ Use only genuine parts and accessories. Unauthorised parts and accessories may be dangerous and will invalidate your warranty.
- ✓ Maintain the cleaner in good condition. Keep machine clean, but **DO NOT** use solvents.
- ✓ For dry vacuuming ensure the filter is firmly in place before operating the cleaner.
- ✗ **DO NOT** operate the unit without a filter in place. **Using the cleaner without a filter may cause damage to the vacuum cleaner and will invalidate your warranty.**
- ✗ **DO NOT** allow children or untrained persons to operate the cleaner.
- ✗ **DO NOT** place attachments close to your face (especially eyes, ears, etc). **DO NOT** point the hose end at other persons or animals.
- ▲ **DANGER! DO NOT** vacuum hot or glowing ash, cigarette ends, inflammable, explosive, corrosive or other dangerous substances.
- ✗ **DO NOT** leave machine running unattended. Turn power OFF and **DO NOT** leave the vicinity until motor has come to a complete stop.
- ✗ **DO NOT** operate the cleaner while under the influence of drugs, alcohol or impairing medication, or if you are tired.
- ✗ **DO NOT** use the cleaner in the rain or in very damp conditions.
- ✗ **DO NOT** use the cleaner for a task it is not designed to perform.
- ✓ When not in use, store the cleaner in a safe, dry, childproof location.

2. INTRODUCTION

Extremely lightweight portable cordless wet and dry vacuum cleaner. Convenient for use in the home, workshop or car, especially where mains power is not easily accessible. Features a 20ltr stainless steel drum mounted on four swivel casters for easy manoeuvrability. Unit also has built in blower function which can be used for many applications. Body only. Supplied with comprehensive accessory pack. 2Ah battery available - Model No. CP20VBP2 (Approx. 15 mins running time). 4Ah battery available - Model No. CP20VBP4 (Approx. 27 mins running time). Mains charger available - Model No. CP20VMC.

3. SPECIFICATION

Model no.:.....**PC20SD20V**
 Motor power:.....140W
 Supply:.....20V
 Airflow:.....65m³/hr
 Drum size:.....20ltr
 Filter type.....Foam
 Maximum vacuum pressure.....80mbar
 Nett weight.....3.7kg
 Vacuum accessories diameter.....32mm

Consumables:
 Foam filter:.....PC20SD20VFF10
 Bag filter.....PC20SD20VCF
 20V 2Ah Li-ion battery (15 min. run time).....CP20VBP2
 20V 4Ah Li-ion battery (27 min. run time).....CP20VBP4
 Mains charger:.....CP20VMC

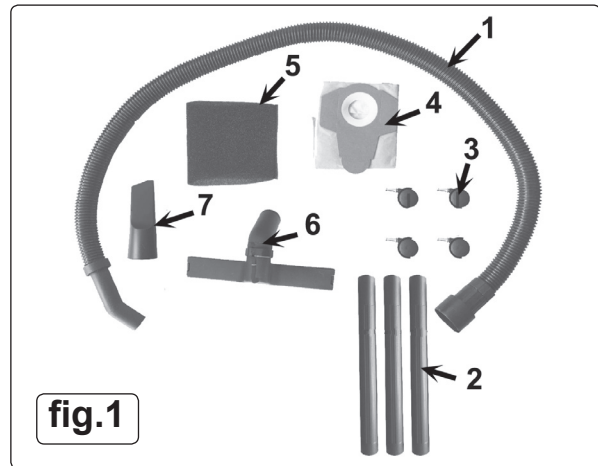


fig.1

4. CONTENTS

- 4.1. Contents (fig.1) are inside cleaner body (except items 2).
- 4.2. Locate the two side clasps (fig.3) which hold the top section in place.
- 4.3. Undo the clasps, remove the top section and take out the items in the container (fig.1).
- 4.4. Check and identify each component as shown. If anything is missing or damaged please contact your supplier immediately.

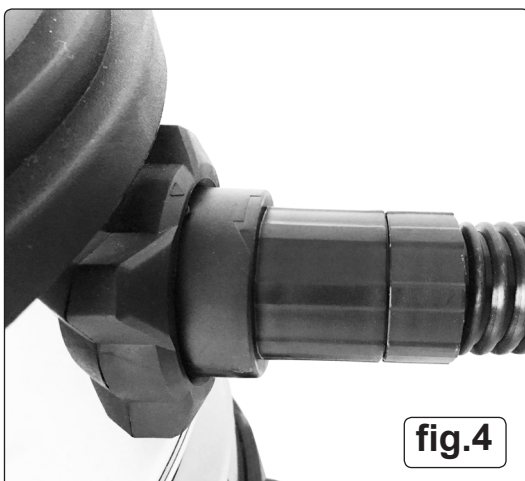
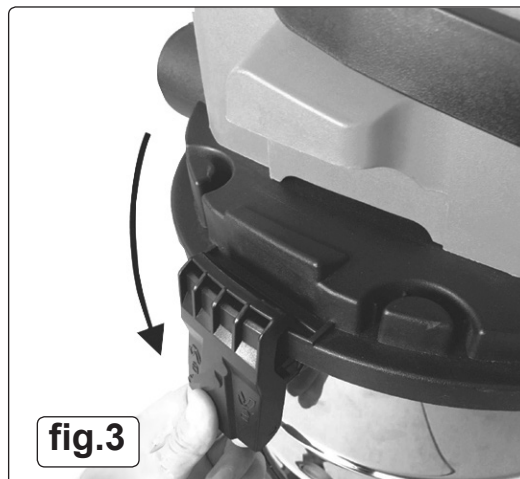
Item no.	Description	Quantity
1	Flexible hose	1
2	Suction tube	3
3	Castors	4
4	Bag filter	1
5	Foam filter	1
6	Combination nozzle	1
7	Crevice nozzle	1

5. ASSEMBLY

5.1. ASSEMBLY (fig.2, fig.3, fig.4,)

WARNING: Ensure no battery is connected (fig.8).

- 5.1.1. Undo head assembly clasps and lift off head assembly (fig.3).
- 5.1.2. Invert tank body and insert push-fit castors.
- 5.1.3. Place the appropriate filter assembly onto tank body (see sections 6 for wet and dry vacuuming and blowing).
- 5.1.4. Align up the top section with the clasps and snap into place, by applying pressure at the mid point of the clasps (fig.3). Insert the large end of the hose into the front inlet of the container and lock in place by turning counter-clockwise a quarter turn (fig.4).
- 5.1.5. Choose the desired extension tubes and nozzle and connect onto the hose.



6. OPERATION

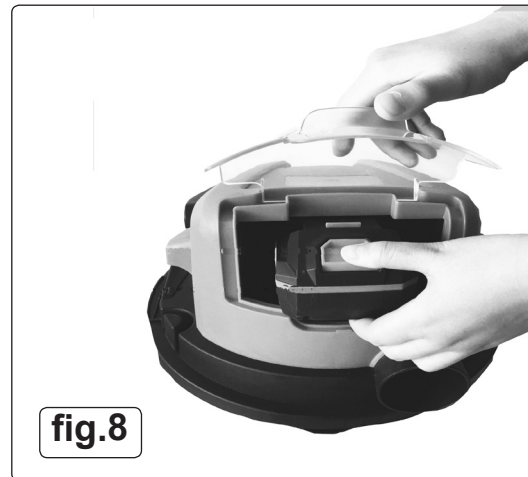
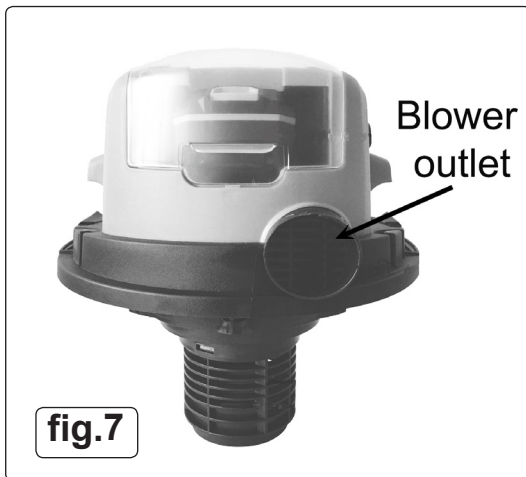
- ❑ **WARNING!** Ensure you read, understand and apply Section 1 'Safety Instructions'. Reminder: **DO NOT** vacuum hazardous substances. Use of an incorrect filter will invalidate your warranty.



6.1. DRY VACUUMING (fig.5)

- 6.1.1. Ensure the battery is removed from the unit.
- 6.1.2. Loosen clips (fig.3) and remove the top section and filter assembly (fig.7).
- 6.1.3. Slide the bag filter inlet hole over the hose connector. Manipulate to ensure a good seal (fig.5).

- 6.1.4. Replace top section to the body and clip in place using side clips (fig.3).
- 6.1.5. Connect hose to body and rotate counter-clockwise for a quarter of a turn to lock in place (fig.4).
- 6.1.6. Assemble required tube and hose arrangement. (fig.1) (fig.4).
- 6.1.7. Insert the battery, turn unit on.
- 6.1.8. When you have completed vacuuming, press the switch to 'Off'.
- 6.2. EMPTYING DUST BAG**
- 6.2.1. Turn off cleaner and remove battery (fig.8).
- 6.2.2. Release side clips (fig.3) and lift off top assembly and filter assembly (fig.7).
- 6.2.3. Carefully remove bag filter and empty contents into suitable receptacle.
- 6.2.4. Reassemble filter and replace into cleaner body.
- 6.3. WET VACUUMING**
- 6.3.1. Ensure the battery is removed from the unit.
- 6.3.2. Loosen clips (fig.3) and remove the top section and filter assembly (fig.7).
- 6.3.3. Slide foam filter over inlet (fig.6).
- 6.3.4. Check that filter components are assembled correctly.
- 6.3.5. Install top assembly and lock in place (fig.3).
- 6.3.6. Insert the battery, turn unit on and commence cleaning.
- 6.3.7. When you have completed vacuuming remove battery, unlatch top assembly and carefully empty contents of cleaner body into suitable receptacle. **DO NOT** store with liquid in cleaner body.
- 6.4. BLOWER OPERATION**
- 6.4.1. Ensure the battery is removed from the unit (fig.3).
- 6.4.2. Remove hose assembly from suction port (fig.4).
- 6.4.3. Attach hose assembly to air outlet on rear of top assembly (fig.7).
- 6.4.4. Insert the battery, turn unit on and commence blowing.
- 6.4.5. Aim hose assembly at area to be cleared.



7. MAINTENANCE

- 7.1. Ensure the battery is removed from the unit (fig.8).
- 7.2. Disconnect the hose from the container.
- 7.3. Undo the clasps and remove motor head from the container.
- 7.4. Clear out any dirt or debris from the container and hose.
- 7.5. Check the battery docking to make sure it has not received any damage.
- 7.6. Handle the filters carefully when cleaning or installing.
- 7.7. The filter assembly contains two washable parts:
 - filter core (fig.7)
 - foam filter (fig.6)
 Wash the elements with cold or luke warm water. **DO NOT** use detergent.
 Allow elements to air dry. **DO NOT** use heating equipment.
- 7.8. Check all elements for damage and replace if necessary.



ENVIRONMENT PROTECTION

Recycle unwanted materials instead of disposing of them as waste. All tools, accessories and packaging should be sorted, taken to a recycling centre and disposed of in a manner which is compatible with the environment. When the product becomes completely unserviceable and requires disposal, drain any fluids (if applicable) into approved containers and dispose of the product and fluids according to local regulations.

Note: It is our policy to continually improve products and as such we reserve the right to alter data, specifications and component parts without prior notice.

Important: No Liability is accepted for incorrect use of this product.

Warranty: Guarantee is 12 months from purchase date, proof of which is required for any claim.

Sealey Group, Kempson Way, Suffolk Business Park, Bury St Edmunds, Suffolk. IP32 7AR



01284 757500



01284 703534



sales@sealey.co.uk



www.sealey.co.uk