

SEALEY

20L WET & DRY INDUSTRIAL VACUUM CLEANER 1400W WITH STAINLESS DRUM & AUTO START

MODEL NO: **PC200SDAUTO.V3**

Thank you for purchasing a Sealey product. Manufactured to a high standard, this product will, if used according to these instructions, and properly maintained, give you years of trouble free performance.

IMPORTANT: PLEASE READ THESE INSTRUCTIONS CAREFULLY. NOTE THE SAFE OPERATIONAL REQUIREMENTS, WARNINGS & CAUTIONS. USE THE PRODUCT CORRECTLY AND WITH CARE FOR THE PURPOSE FOR WHICH IT IS INTENDED. FAILURE TO DO SO MAY CAUSE DAMAGE AND/OR PERSONAL INJURY AND WILL INVALIDATE THE WARRANTY. KEEP THESE INSTRUCTIONS SAFE FOR FUTURE USE.



Refer to
instruction
manual

1. SAFETY

1.1. ELECTRICAL SAFETY

- ☐ **WARNING!** It is the user's responsibility to check the following:
Check all electrical equipment and appliances to ensure that they are safe before using. Inspect power supply leads, plugs and all electrical connections for wear and damage. Sealey recommend that an RCD (Residual Current Device) is used with all electrical products. You may obtain an RCD by contacting your local Sealey stockist.

If the product is used in the course of business duties, it must be maintained in a safe condition and routinely PAT (Portable Appliance Test) tested.

Electrical safety information, it is important that the following information is read and understood.

Ensure that the insulation on all cables and on the appliance is safe before connecting it to the power supply.

Regularly inspect power supply cables and plugs for wear or damage and check all connections to ensure that they are secure.

Important: Ensure that the voltage rating on the appliance suits the power supply to be used and that the plug is fitted with the correct fuse - see fuse rating in these instructions.

- ✗ **DO NOT** pull or carry the appliance by the power cable.
- ✗ **DO NOT** pull the plug from the socket by the cable.
- ✗ **DO NOT** use worn or damaged cables, plugs or connectors. Ensure that any faulty item is repaired or is replaced immediately by a qualified electrician.

This product is fitted with a BS1363/A 13 Amp 3 pin plug.

If the cable or plug is damaged during use, switch off the electricity supply and remove from use.

Ensure that repairs are carried out by a qualified electrician.

Replace a damaged plug with a BS1363/A 13 Amp 3 pin plug. If in doubt contact a qualified electrician.

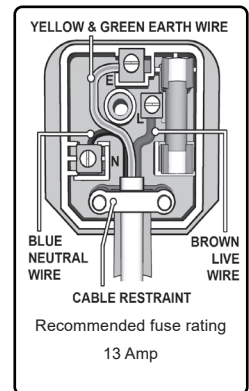
- Connect the GREEN/YELLOW earth wire to the earth terminal 'E'.
- Connect the BROWN live wire to the live terminal 'L'.
- Connect the BLUE neutral wire to the neutral terminal 'N'.

Ensure that the cable outer sheath extends inside the cable restraint and that the restraint is tight.

Sealey recommend that repairs are carried out by a qualified electrician.

1.2. GENERAL SAFETY

- ✓ Disconnect the cleaner from the power supply before servicing, changing accessories, or performing any maintenance.
- ✓ Use only genuine parts and accessories. Unauthorised parts and accessories may be dangerous and will invalidate your warranty.
- ✓ Maintain the cleaner in good condition. Use an authorised agent for servicing. Keep machine clean, but **DO NOT** use solvents.
- ✗ **DO NOT** operate the unit without the locking cartridge filter in place (except when wet vacuuming when the foam sleeve filter is used).
Using the cleaner without a locking cartridge filter will cause machine faults and will invalidate your warranty.
- ✓ Wear protective clothing and gloves.
- ✗ **DO NOT** allow children or untrained persons to operate the cleaner.
- ✗ **DO NOT** place attachments close to your face (especially eyes, ears, etc). **DO NOT** point the hose end at other persons or animals.
- ▲ **DANGER! DO NOT** vacuum hot or glowing ash, cigarette ends, inflammable, explosive, corrosive or other dangerous substances.
- ✗ **DO NOT** leave machine running unattended. Turn power supply OFF and **DO NOT** leave the vicinity until motor has come to a complete stop.
- ✗ **DO NOT** operate the cleaner while under the influence of drugs, alcohol or impairing medication, or if you are tired.
- ✗ **DO NOT** use the cleaner in the rain or in very damp conditions.
- ✗ **DO NOT** use the cleaner for a task it is not designed to perform.



2. INTRODUCTION

Powerful 1400W motor head gives incredible suction through Ø35mm hosing. May also be used as a blower. Integral three-pin BS socket provides power supply for dust-free tools up to 1400W. When operating in conjunction with a power tool, the cleaner automatically starts with the tool and stops ten seconds after the tool is switched off, to ensure tool and hose are left free of dust. Stainless steel drum on two castor and two fixed wheels, stainless steel telescopic rigid extension tube as well as tools for wet and dry operations. Tool storage points on head and base. Supplied with cartridge filter and wet-use foam filter.

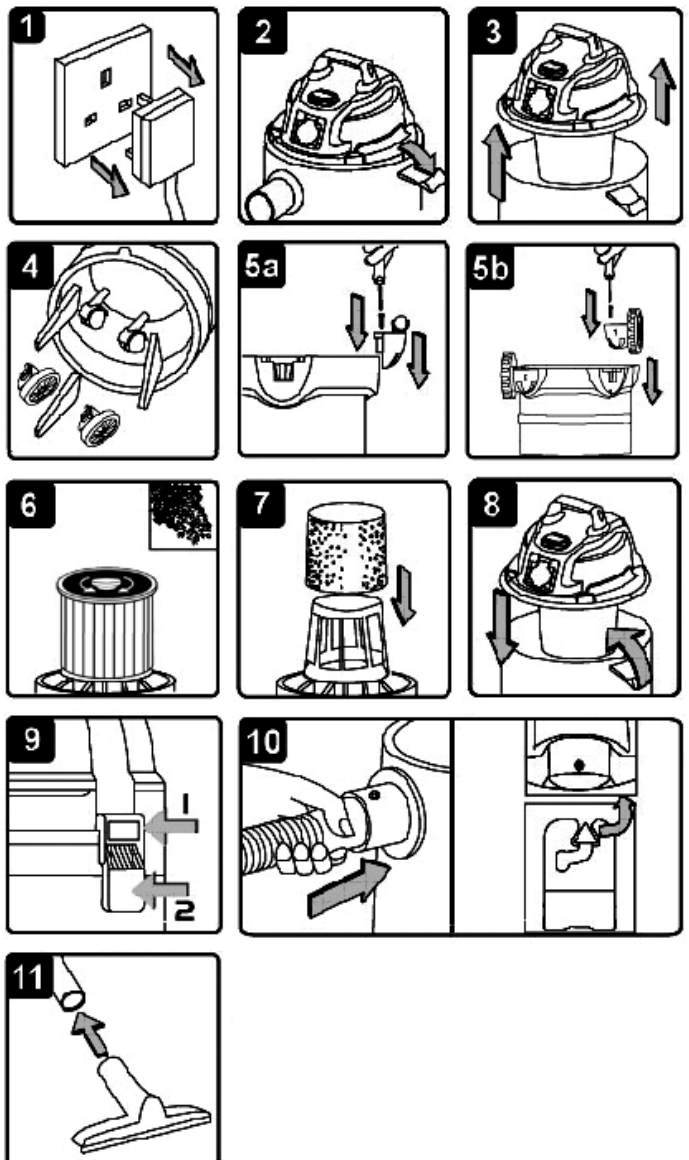
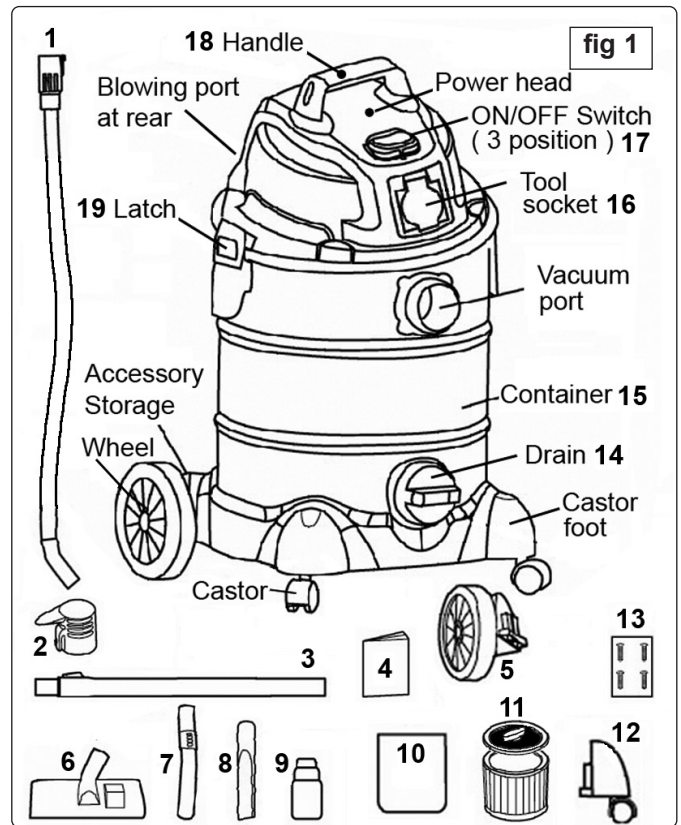
3. SPECIFICATION

Model no:..... PC200SDAUTO.V3
 Drum size20L
 Filter type.....cartridge
 Max. vacuum pressure 165mbar
 Motor power 1400W
 Optional accessories
 PC200PB5 - optional dust bags (pack of 5)
 Replacement parts
PC200CFL - cartridge filter
 PC200FF10 - foam filters (pack of 10)
 Supply 230V
 Vacuum accessories diameter.....35mm

4. CONTENTS

- 4.1. Carefully unpack the carton.
- 4.2. Locate the two side latches (fig.1.19) which hold the power head in place.
- 4.3. Undo the latches, remove the top section and take out the items in the container.
- 4.4. Check and identify each component as listed below. If anything is missing or damaged please contact your supplier immediately.

Item	Description
1	Flexible vacuum hose
2	Noise diffuser
3	Telescopic suction tube
4	Instruction manual
5	Wheel (x2)
6	Combination nozzle
7	Vacuum hose connection
8	Crevice nozzle
9	Dust free tool adaptor Part No.PC200SDAV3.42
10	Foam filter
11	Locking Cartridge Filter (fitted as standard)
12	Castors & foot (x2)
13	Four screws in bag
14	Drain cap
15	Container, (Stainless Steel)
16	Dust free tool socket
17	ON/OFF switch, 3 position
18	Handle
19	Clasp, one either side (x2)

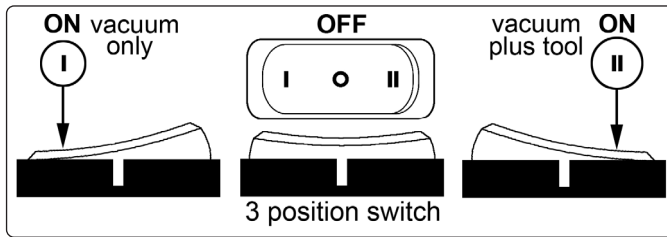


5. ASSEMBLY

- 5.1. Ensure the mains plug is disconnected.
- 5.2. Undo latches that secure the power head to the stainless container.
- 5.3. Lift off the power head and put carefully to one side.
- 5.4. Locate the castor feet and wheels ready for fitting.
- 5.5. Turn the container upside down. The castor feet attach to the lower moulding using a dovetail arrangement. Slot each foot in turn into the receiving slots either side of the drain cap and push fully home. Retain each castor foot with the self tapping screws provided.
- 5.6. The rear wheels attach to the lower moulding in the same way but they are handed. Match the moulded in number on each wheel assembly to the numbers on the lower moulding and push fully home. Retain each wheel assembly with the self tapping screws provided.
- 5.7. For dry vacuum cleaning use the locking cartridge filter supplied.
NOTE: DO NOT operate the cleaner without a cartridge filter fitted as this will damage the machine and invalidate your warranty. Ensure the filter is correctly fitted before every use.
- 5.8. If wet vacuuming remove the cartridge filter and push the foam filter over the filter basket instead.
- 5.9. Replace the top section onto the container.
- 5.10. Align up the top section with the latches and snap into place, by applying pressure at the mid point of the clasps.

- 5.11. Insert the large end of the hose into the front inlet of the container and lock in place by turning clockwise a quarter turn.
- 5.12. Choose the desired nozzle and push it onto the telescopic suction tube.
- 5.13. For quiet operation, install the noise diffuser (fig.1-2) into the blower port by inserting the locking end into the blower port and turning it clockwise to lock it in place.

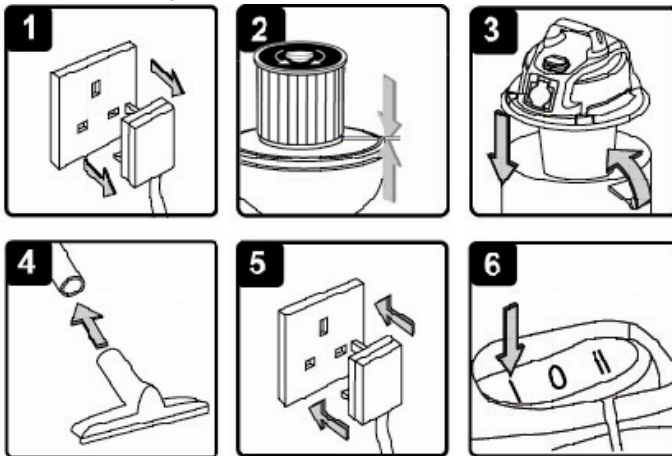
6. SWITCH OPERATION



- 6.1. **USE WITH VACUUM CLEANER ONLY.**
The single bar position switches on the vacuum cleaner only.
- 6.2. **USING VACUUM WITH DUST FREE TOOL**
The double bar position is for the use of dust free tools. See section 9.

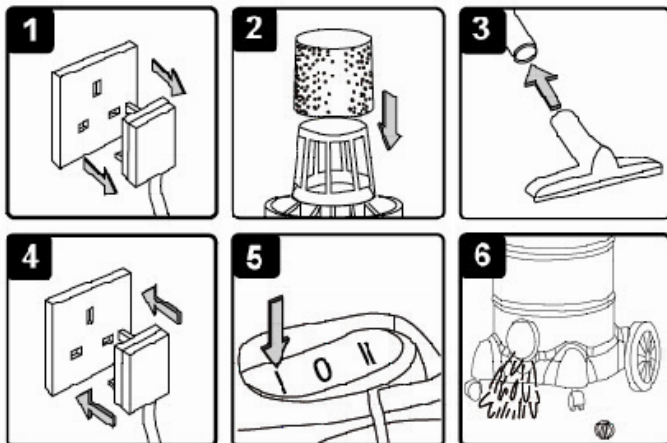
7. DRY VACUUM CLEANING

- ❑ **WARNING! Ensure you read, understand and apply Section 1 'Safety Instructions'. Reminder: DO NOT vacuum hazardous substances. Use of an incorrect cartridge filter will invalidate your warranty.**
- 7.1. Ensure the machine is unplugged from the power supply.
- 7.2. Remove the top section and with the raised rim uppermost fit the cartridge filter tube down over the filter basket and push fully home. Place the locking disc onto the top of the filter and turn the locking bar until the latch drops into the slot in the top of the filter cage. Continue turning until the filter is fully locked down. (see 2 below)
- 7.3. Reposition the head onto the drum body, and clip in place.
- 7.4. Insert the larger end of the flexible hose into the front inlet on the container and lock in place. Push the required attachment onto the free end of the hose.
- 7.5. Plug in the power supply.
- 7.6. Switch to the 'On' (position 'I').
- 7.7. When you have completed vacuuming, press the switch to 'Off' (position 'O') and unplug from power supply. Regularly check the container and dispose of dust and debris when it is 1/2 full.



8. WET VACUUM CLEANING

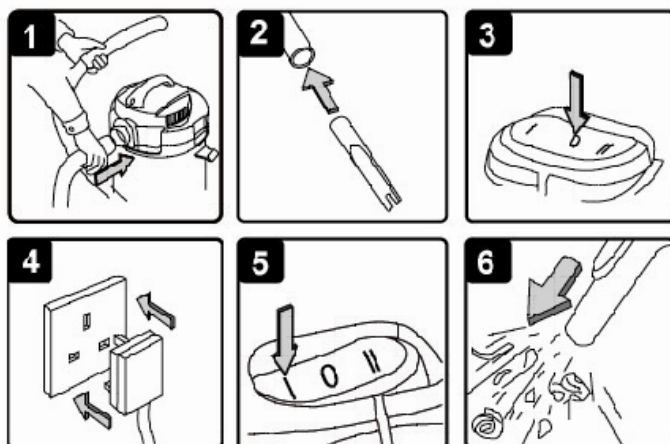
- ❑ **WARNING! Ensure you read, understand and apply Section 1 'Safety Instructions'. Reminder: Remove plug from power supply before opening unit. DO NOT vacuum solvents, explosives, inflammable and/or hazardous liquids such as petrol, oil, spirits, paint, thinners, acids etc.**
- ❑ **WARNING! Not designed for liquid storage. Always empty liquids after use and before storing.**
- 8.1. Ensure the machine is unplugged from the power supply. Make sure the tank is clean and free from dust and dirt.
- 8.2. Remove the cartridge filter and fit a foam filter over the filter basket. Replace the top section onto the container.
- 8.3. To the same flexible hose as used in dry cleaning fit the desired nozzle.
- 8.4. Ensure the switch is 'Off' (position 'O') before plugging into the power supply.
- 8.5. Press the switch to 'On' (position 'I').
Note: To vacuum large quantities of liquid, from a sink or tank etc, do not immerse the nozzle completely in the liquid, leave a gap at the top of the nozzle opening to allow an air inflow. The leave a gap at the top of the nozzle opening to allow an air inflow. The machine is fitted with a float valve which stops the suction action when the tank has reached its maximum capacity. The user will notice an increase in motor speed. When this happens, turn off the machine, disconnect from power supply and empty the container either by removing the power head and pouring the liquid out or by removing the drain cap at the base of the container. After wet vacuuming, turn the machine off and unplug from power supply. Empty the container and clean and dry the inside and outside before storage. Remember! After wet vacuuming the foam filter must be removed and a cartridge filter must be fitted before dry vacuuming again.



9. BLOWING

- WARNING! Wear a dust mask if blowing creates dust that might be inhaled.**
- WARNING! Always wear safety goggles when using the unit for blowing.**
- WARNING! Keep bystanders clear from blowing debris.**
- WARNING! Make sure the container is empty before using the unit as a blower.**

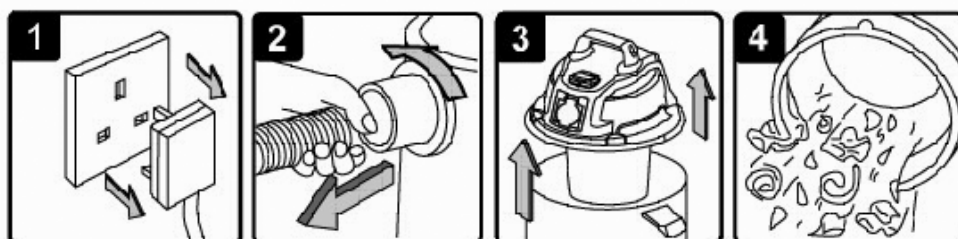
- 9.1. Remove the hose from the vacuum port and insert the large end of the hose into the blowing port on the other side of the power head and twist to the right to lock it in place.
- 9.2. Fit the desired extension tube/nozzle to the free end of the vacuum hose.
- 9.3. Ensure the ON/OFF switch is in the central OFF position.
- 9.4. Plug the unit into the mains power supply.
- 9.5. Take firm hold of the loose end of the hose and select the single bar position 'I' on the ON/OFF switch to start the motor.
- 9.6. If the unit does not appear to be blowing, switch OFF and check for blockages in the hosepipe.



10. USING DUST FREE TOOLS

- 10.1. Connect the tool to the hose using the rubber adaptor supplied. Ensure that the ON/OFF switch is in the OFF position then plug the dust free tool into the covered socket provided on the front of the power head (see fig.1-16). Move the switch to the double bar position. The vacuum cleaner will start automatically when the tool is switched on. When the tool is switched off the vacuum will continue to run for 10 seconds to ensure that the tool and hose are left free of dust.

11. MAINTENANCE



11.1. GENERAL MAINTENANCE.

- 11.1.1. Ensure the machine is unplugged from the power supply. (1)
- 11.1.2. Disconnect the hose from the container. (2)
- 11.1.3. Undo the clasps and remove motor head from the container. (3)
- 11.1.4. Clear out any dirt or debris from the container and hose. (4)
- 11.1.5. Check that the telescopic suction tube operates smoothly and check the power cable to make sure it has not been damaged.

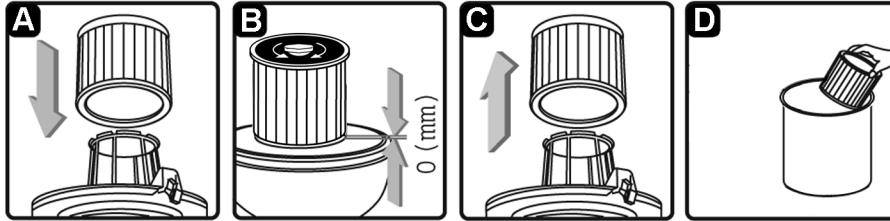
11.2. CARE OF LOCKING CARTRIDGE FILTER

IMPORTANT! Clean or change the cartridge filter regularly for best performance and long product life. The cartridge filter is essential for the proper functioning of the cleaner. If the machine is used without a cartridge filter the motor will burn out and the warranty will be voided. Always keep a new, spare filter on hand.

11.2.1. The cartridge filters supplied are made of a high quality material designed to trap small dust particles and should only be used for dry vacuum cleaning. **If the cartridge filter becomes wet it will clog very quickly and be very difficult to clean.** Always handle filters very carefully when removing and cleaning them. Check the filter for tears or small holes. Replace the filter if it is found to be damaged.

11.3. INSTALLING CARTRIDGE FILTER

11.3.1. Remove the power head and turn it upside down. With the raised rim uppermost fit the cartridge filter tube down over the filter basket and push fully home. Place the locking disc onto the top of the filter and turn the locking bar until the latch drops into the slot in the top of the filter cage. Continue turning until the filter is fully locked down. (see A & B above).



11.4. CLEANING CARTRIDGE FILTER

11.4.1. To remove the cartridge filter pull it carefully upwards and off the filter cage. (C)

11.4.2. Clean the cartridge by gently tapping it over a waste receptacle or lightly brushing with a soft brush. Do this outdoors. (D)

11.4.3. If a cartridge filter becomes inadvertently wetted it should be removed and allowed to air dry for 24 hours before reinstalling.

11.5. INSTALLING A FOAM SLEEVE FILTER

11.5.1. Remove the power head and turn it upside down. Carefully remove the cartridge filter and store safely for future use.

11.5.2. Slide the foam sleeve filter down over the filter cage ensuring that the whole cage is covered. See 1 & 2

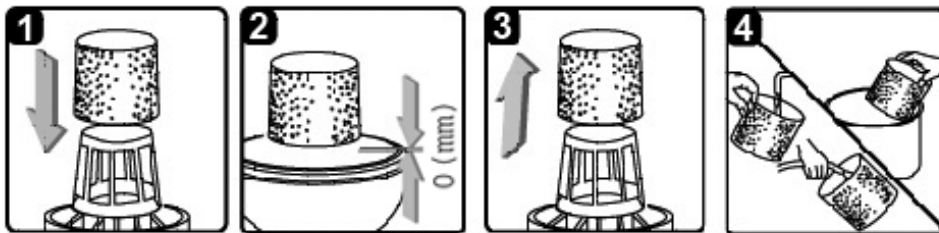
11.5.3. Invert the power head and refit it onto the container.

11.6. CLEANING A FOAM SLEEVE FILTER

11.6.1. Carefully remove the foam sleeve from the filter cage.(3)

11.6.2. Wash the foam sleeve in a mild soap water solution and then rinse it in clean water. (4)

11.6.3. Allow the filter to air dry before installing and using again.



12. TROUBLESHOOTING

Symptom	Possible causes	Solutions
Vacuum will not operate	No power supply	Check power supply - cable, breakers, fuses.
	Faulty power cable	Unplug and check the power cable. If damaged have it replaced by your local Sealey stockist.
	Container full	Empty container
Dust expelled from the motor cover	Cartridge filter missing or damaged	Fit cartridge filter or replace damaged filter
Reduced efficiency and increased motor/ speed vibration	There is a blockage in the nozzle or hose or in the container inlet.	Check nozzle, hose and container inlets and clear any blockages found.
	Cartridge filter blocked by fine dust.	Remove filter and clean it or install new filter.



WEEE REGULATIONS

Dispose of this product at the end of its working life in compliance with the EU Directive on Waste Electrical and Electronic Equipment (WEEE). When the product is no longer required, it must be disposed of in an environmentally protective way. Contact your local solid waste authority for recycling information.



ENVIRONMENT PROTECTION

Recycle unwanted materials instead of disposing of them as waste. All tools, accessories and packaging should be sorted, taken to a recycling centre and disposed of in a manner which is compatible with the environment. When the product becomes completely unserviceable and requires disposal, drain any fluids (if applicable) into approved containers and dispose of the product and fluids according to local regulations.

Note: It is our policy to continually improve products and as such we reserve the right to alter data, specifications and component parts without prior notice. Please note that other versions of this product are available. If you require documentation for alternative versions, please email or call our technical team on technical@sealey.co.uk or 01284 757505.

Important: No Liability is accepted for incorrect use of this product.

Warranty: Guarantee is 12 months from purchase date, proof of which is required for any claim.

Sealey Group, Kempson Way, Suffolk Business Park, Bury St Edmunds, Suffolk. IP32 7AR



01284 757500



01284 703534



sales@sealey.co.uk



www.sealey.co.uk