



INSTRUCTIONS FOR: PRESSURE WASHER 1450PSI MODEL: PC1950.V2

Thank you for purchasing a Sealey product. Manufactured to a high standard this product will, if used according to these instructions and properly maintained, give you years of trouble free performance.



IMPORTANT: PLEASE READ THESE INSTRUCTIONS CAREFULLY. NOTE THE SAFE OPERATIONAL REQUIREMENTS, WARNINGS, AND CAUTIONS. USE THIS PRODUCT CORRECTLY, AND WITH CARE FOR THE PURPOSE FOR WHICH IT IS INTENDED. FAILURE TO DO SO MAY CAUSE DAMAGE AND/OR PERSONAL INJURY AND WILL INVALIDATE THE WARRANTY.

1. SAFETY INSTRUCTIONS

1.1 ELECTRICAL SAFETY

WARNING! It is the responsibility of the owner and the operator to read, understand and comply with the following: You must check all electrical products, before use, to ensure that they are safe. You must inspect power cables, plugs, sockets and any other connectors for wear or damage. You must ensure that the risk of electric shock is minimised by the installation of appropriate safety devices. A Residual Current Circuit Breaker (RCCB) should be incorporated in the main distribution board. We also recommend that a Residual Current Device (RCD) is used. It is particularly important to use an RCD with portable products that are plugged into a supply which is not protected by an RCCB. If in any doubt consult a qualified electrician. You may obtain a Residual Current Device by contacting your Sealey dealer. You must also read and understand the following instructions concerning electrical safety.

1.1.1 The **Electricity at Work Act 1989** requires all portable electrical appliances, if used on business premises, to be tested by a qualified electrician, using a Portable Appliance Tester (PAT), at least once a year.

1.1.2 The **Health & Safety at Work Act 1974** makes owners of electrical appliances responsible for the safe condition of those appliances and the safety of the appliance operators. **If in any doubt about electrical safety, contact a qualified electrician.**

1.1.3 Ensure that the insulation on all cables and on the appliance is safe before connecting it to the power supply. See 1.1.1. and 1.1.2. and use a Portable Appliance Tester.

1.1.4 Ensure that cables are always protected against short circuit and overload.

1.1.5 Regularly inspect power supply cables and plugs for wear or damage and check all connections to ensure that none is loose.

1.1.6 **Important:** Ensure that the voltage marked on the appliance matches the power supply to be used and that the plug is fitted with the correct fuse - see fuse rating at right.

1.1.7 **DO NOT** pull or carry the appliance by the power cable.

1.1.8 **DO NOT** pull the plug from the socket by the cable.


1.1.9 **DO NOT** use worn or damaged cables, plugs or connectors. Immediately have any faulty item repaired or replaced by a qualified electrician. When an ASTA/BS approved UK 3 pin plug is damaged, cut the cable just above the plug and **dispose of the plug safely.** Fit a new plug according to the following instructions (UK only).

a) **Connect the GREEN/YELLOW earth wire to the earth terminal 'E'.**

b) **Connect the BROWN live wire to the live terminal 'L'.**

c) **Connect the BLUE neutral wire to the neutral terminal 'N'.**

d) **After wiring, check that there are no bare wires, that all wires have been correctly connected, that the cable outer insulation extends beyond the cable restraint and that the restraint is tight.**

Double insulated products, which are always marked with this symbol , are fitted with live (brown) and neutral (blue) wires only.

To rewire, connect the wires as indicated above - **DO NOT** connect either wire to the earth terminal.

1.1.10 Products which require more than 13 amps are supplied without a plug. In this case you must contact a qualified electrician to ensure that a 30 amp supply is available. We recommend that you discuss the installation of an industrial round pin plug and socket with your electrician.

1.1.11 If an extension reel is used it should be fully unwound before connection. A reel with an RCD fitted is preferred since any appliance plugged into it will be protected. The cable core section is important and should be at least 1.5mm², but to be absolutely sure that the capacity of the reel is suitable for this product and for others which may be used in the other output sockets, we recommend the use of 2.5mm² section cable.

1.2 GENERAL SAFETY

WARNING! Water and electricity are dangerous partners. **Be extremely cautious and always be aware that this device uses an electric motor. Always plug into a RCD (See electrical safety above). Unplug from mains before changing accessories or servicing.**

WARNING! **DO NOT USE** the washer if any part of the unit, gun, nozzle, detergent tank, hose or cables is damaged. Replace or repair using genuine parts only. Unauthorised parts may be dangerous and will invalidate your warranty. Always check connections are correctly secured and not cracked or damaged in any way before using the machine.

WARNING! Use washer on a flat, levelled surface, in an upright position. Failure to do so will invalidate your warranty. **NEVER lay the washer down during use.**

Ensure you comply with all local water supply regulations. Power washers may only be connected to mains drinking water supply if a back flow preventer valve is installed in the supply hose, or at the tap outlet.

The supply hose must be reinforced, and have an internal diameter of 1/2". The water supply must be at least equal to the cleaner capacity. The water temperature must NOT exceed 122°F (50°C). The water supply pressure must NOT exceed 6 bar.

Always be aware of the hazards that may occur during use. Study all applications and limitations of the washer before use.

Use where air can freely circulate around the washer to avoid the machine overheating.

Keep the washer in good condition. Use an authorised service agent to service the unit.

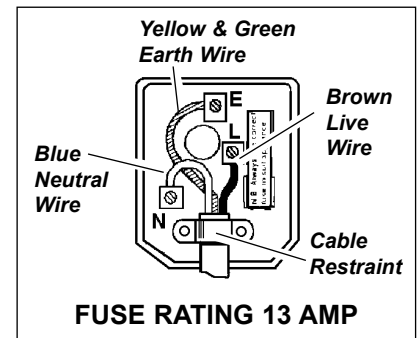
Wear adequate protective clothing, goggles and anti-slip rubber soled footwear.

Position the washer as near to the water supply as possible.

WARNING! Ensure all persons and animals keep at a minimum distance of 16 yards (15mtr) from the washer when in use.

WARNING! The pressure washer must only be used with clean water. Unfiltered water or corrosive chemicals must not be used as these will damage the cleaner.

Ensure the nozzle is aimed correctly at the work surface before switching on the machine.



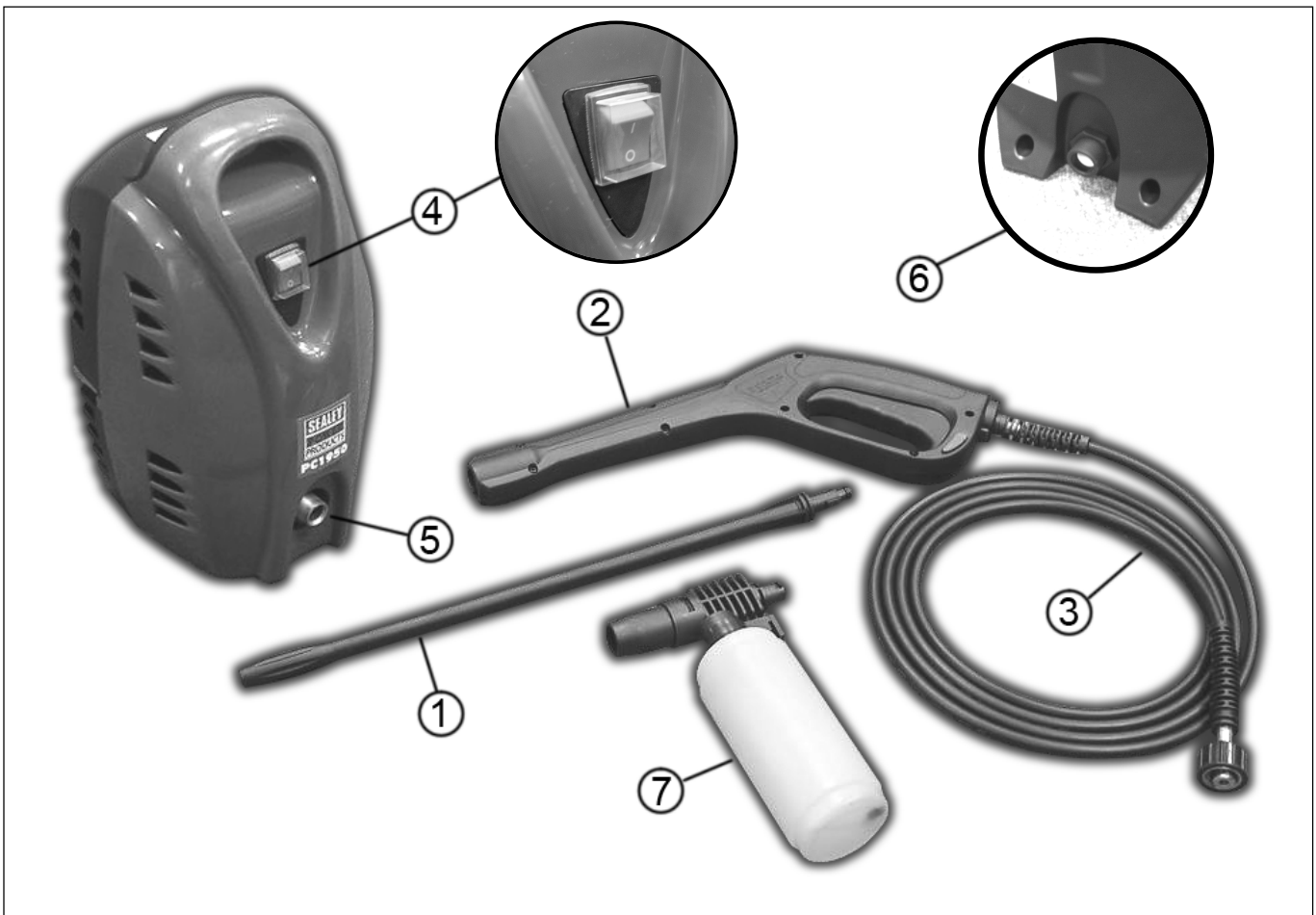
- ✓ Before activating the trigger, GRIP the gun firmly to counteract the recoil from the high pressure water jet.
- **WARNING! Avoid sudden bursts of water as these will cause water pressure to drop and put extreme pressure on hoses and connectors.**
- ✓ If, during operation, power failure occurs turn the electricity and water off for safety reasons, (see note 'c' at end of Section 5).
- **WARNING! The high pressure jet will cause loose particles to be propelled at high speed, which may cause serious injury.**
- **WARNING! DO NOT operate the machine without a water supply. Dry running can seriously damage the unit.**
- x DO NOT obstruct ventilation grilles during operation.
- x DO NOT use the washer with flammable or toxic liquids or any other product. Use only recommended detergent. Unapproved detergents may corrode the machine cover and accessories.
- x DO NOT jam the trigger in the operating position.
- x DO NOT adjust any internal control valves, as they have been factory set.
- x DO NOT connect other appliances to the machine inlet or outlet.
- x DO NOT use in damp or wet weather conditions.
- x DO NOT move the unit by pulling the hoses or electrical cables. Use the handle.
- x DO NOT touch plug with wet hands. To avoid the risk of electrocution keep all connections dry and off the ground.
- x DO NOT direct jet against yourself, other persons, animals, electrical equipment or the machine itself.
- x DO NOT use washer if you are tired or under the influence of alcohol, drugs or intoxicating medication.
- x DO NOT allow children or untrained persons to operate the washer.
- **WARNING! Discharge residual pressure before disconnecting the washer hose. Pressure left in unit may cause injury.**
- ✓ After use, disconnect washer from electrical mains and water supply and store in a safe, dry, childproof area.

2. INTRODUCTION & SPECIFICATION

Portable and reliable unit ideal for occasional leisure use or as back-up machine. Includes 3mtr hose, lance and foam applicator for pre-wash. Packed in handy blow mould case with space for all accessories, offering protection and long term storage. Features automatic Total Stop System which switches the motor on and off when the lance trigger is operated, prolonging the motor life.

Manifold Pressure: 65bar	Water Flow: 300ltr/hr	Hose Length: 3mtr
Max Pressure: 100bar	Motor Power: 1200W	Weight: 6kg
Effective Cleaning Power: 1450psi	Input: 230V - 5.2A	

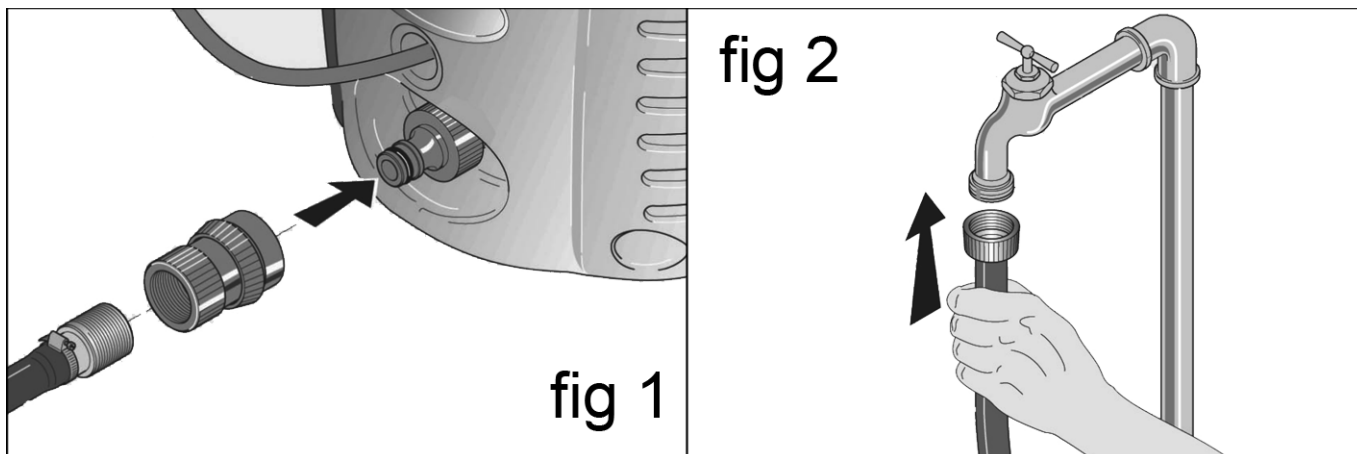
3. CONTENTS



Unpack the product and check contents against the list below. Also check that the machine has an identification plate or label. If label or parts are damaged or missing contact your supplier immediately.

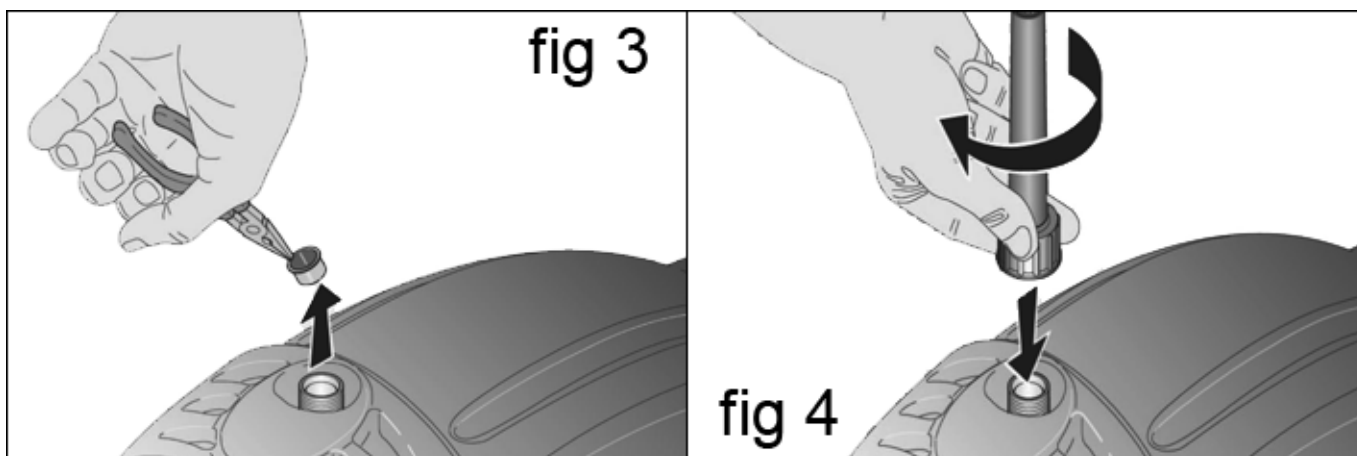
- | | | |
|----------------------|--------------------------------|-------------------------|
| 1 Lance | 4 ON/OFF Switch | 6 Water inlet (at rear) |
| 2 Gun | 5 High pressure hose connector | 7 Detergent dispenser |
| 3 High pressure hose | | |

4. SET-UP



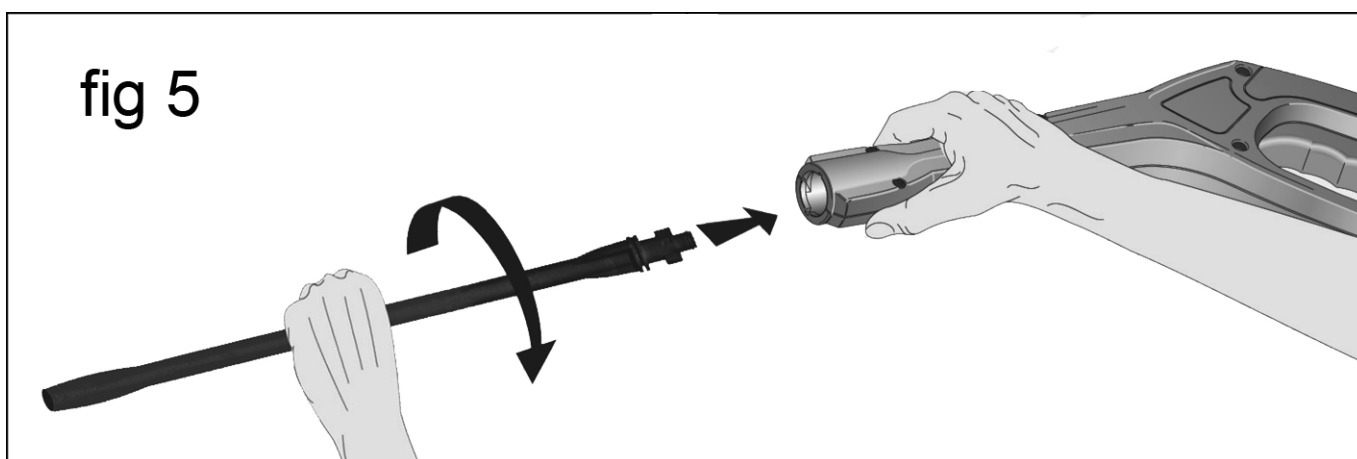
4.1 CONNECTING THE WATER SUPPLY

Use a reinforced hose pipe with an internal diameter of 1/2" and screw a push fit hose connector to the water inlet on the machine (fig 1). Connect hose to the mains water supply as indicated in (fig 2).



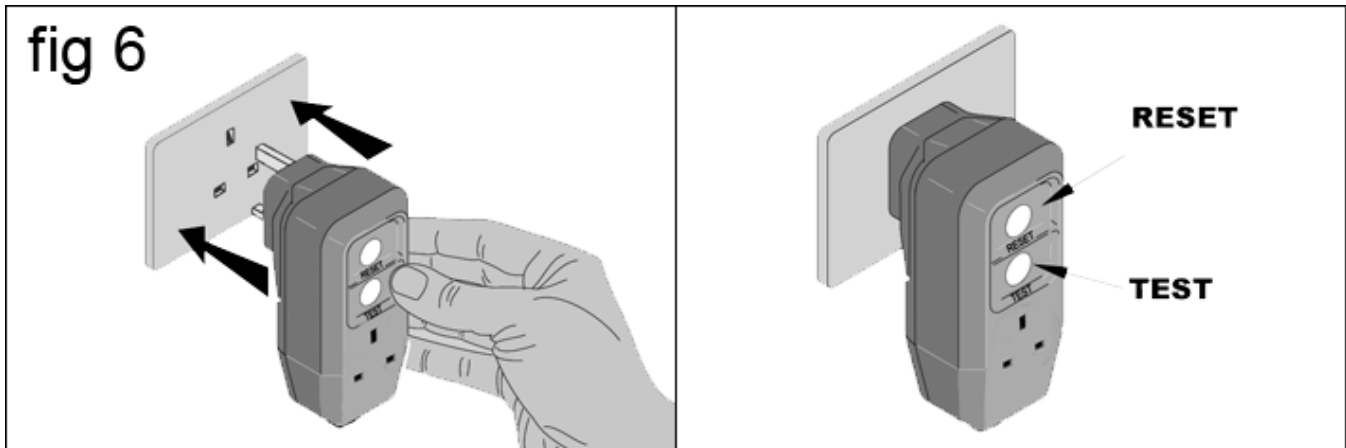
4.2 CONNECTING THE HIGH PRESSURE HOSE

Remove and discard the transit plug from the water 'out' connector on the lower front of the machine (fig 3). Attach the high pressure hose to the pressure washer (fig 4) ensuring that the connector is tight. Turn on the water supply.



4.3 ASSEMBLING THE LANCE OR DETERGENT DISPENSER

Push the lance/dispenser onto the gun (fig 5) and turn through 90° until it clicks into place.



4.4 USING AN RCD (Residual Current Device)

It is recommended that you use an RCD with this product.

Plug the RCD into the mains supply (fig 6), then insert the pressure washer's mains plug into the RCD.

5. OPERATION

WARNING! Ensure you read, understand and apply Section 1 safety instructions.

WARNING! Dry running can seriously damage the unit.

Important! The washer motor will stop as soon as the gun trigger is released and will restart when the trigger is squeezed. Always allow at least 5 seconds between releasing the trigger and restarting.

5.1 PRIMARY CHECKS

5.1.1 Check that the inlet filter is clean; pump delivery and pressure will be reduced if blocked.

5.1.2 Never use the machine without a filter (which is fitted inside the hose connector, see contents, item 6).

5.1.3 Ensure that the water supply, high pressure hose and gun are correctly connected, and that air can freely circulate around the washer.

5.2 OPERATION OF SAFETY CATCH

5.2.1 To prevent inadvertent operation of the unit the safety catch should always be engaged when the gun is not in use.

5.2.2 To activate the safety catch, ensure trigger is released and slide the safety button across (fig 9).

5.2.3 To release simply press button in the opposite direction.

5.3 OPERATING THE MACHINE

5.3.1 Hold the spray gun firmly to counteract the recoil caused by the high pressure of the water.

5.3.2 Before switching on ensure that the lance is not directed at people, objects or animals prior to being directed at the object to be cleaned. It is recommended that the trigger is depressed before switching on the unit before every use. This reduces the back pressure and amperage draw which prevents fuses blowing.

5.3.3 Turn on the water supply (fig 7).

5.3.4 Switch the machine on by pressing the button marked 'I' (fig 8).

5.3.5 Release the safety catch (fig 9).

5.3.6 Point the lance at the object to be cleaned and fully depress the trigger.

5.4 USING THE DETERGENT DISPENSER (see contents, item 7)

5.4.1 Use only detergents approved for use in pressure washers.

5.4.2 Unscrew the detergent bottle from the detergent dispenser.

5.4.3 Fill the detergent bottle with soap or wax and screw back onto the detergent dispenser.

5.4.4 Attach the detergent dispenser (fig 10).

5.4.4 The chemical will be automatically mixed with the water and discharged through the nozzle.

5.4.5 Dirt is dissolved by applying detergent to the dry surface. On vertical surfaces, work from the bottom upwards.

5.4.6 Leave the detergent to act for 1 - 2 minutes, but DO NOT allow the surface to dry out.

5.4.7 To wash down, install the lance and use to clean the surface.

5.5 WHEN WASHING IS COMPLETED

5.5.1 Switch the power supply off by pressing the button marked 'O' (fig 8).

5.5.2 Turn off the water supply tap.

5.5.3 Discharge residual pressure by pressing the trigger until no more water comes out of the nozzle.

5.5.4 Engage the trigger safety catch and unplug the machine from the electrical mains power supply.

5.5.5 Wipe the machine clean and dry and store in the blow mould case supplied.

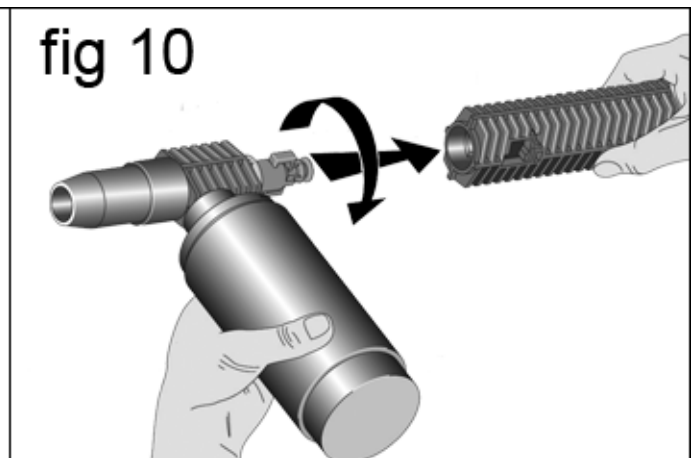
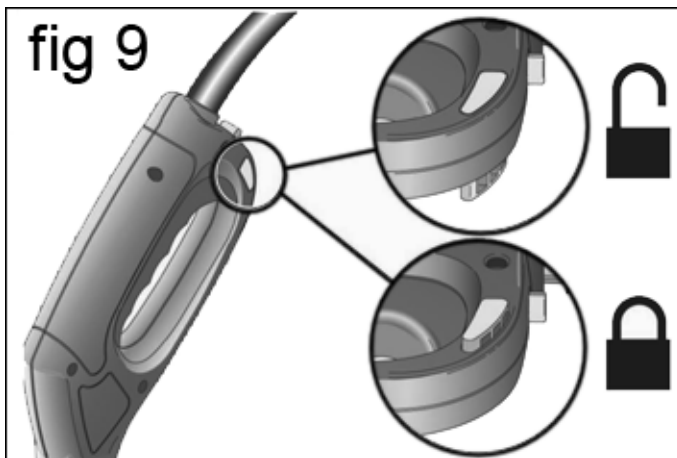
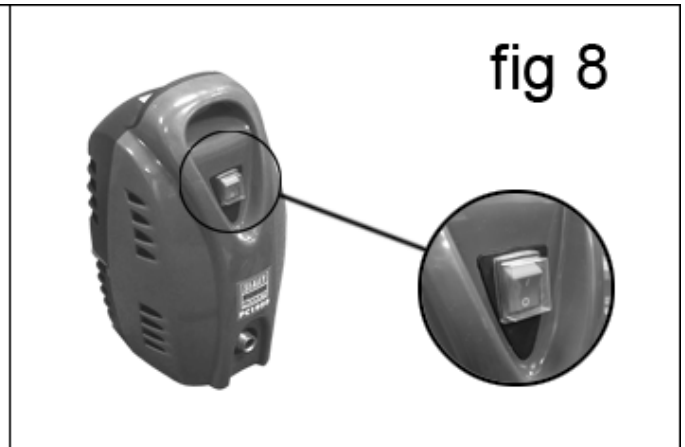
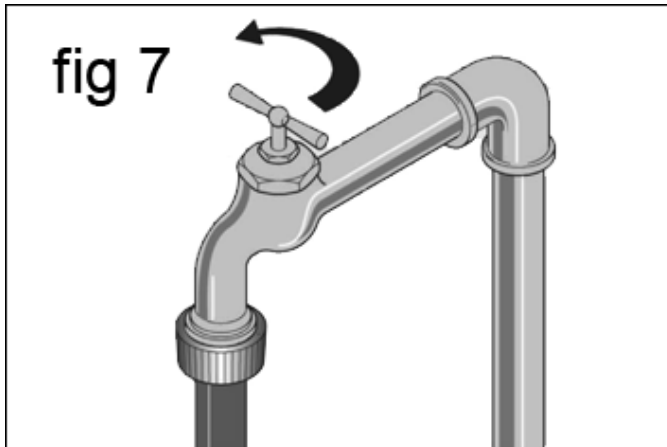
NOTE: a) DO NOT leave motor switched on for more than 1-2 minutes without operating trigger.

b) If the water pressure drops (i.e. someone else using the same water supply), the washer will not operate correctly. Immediately switch off the motor and wait until the pressure is restored.

c) Should the motor stop and fail to restart, the built in thermal cut-out may have tripped. Check to ensure that the washer is connected correctly to electrical and water supplies (also see Section 6 Troubleshooting). Wait 5 minutes for the cut-out to reset and re-start the motor. If the motor continues to cut out contact your authorised service agent.

d) If storing the washer for a long period during winter, operate the washer with a non-corrosive, non-toxic anti-freeze before storage.

Store detergents according to instructions on the container label.



SYMPTOMS	REASON	REMEDY
Pump does not reach required pressure.	Nozzle incorrect or worn. Dirty filter. Air being sucked into the system. Water pressure low. Worn seals.	Replace the lance. Clean or replace filter. Check that hoses and fittings are air tight. Check that hoses/fittings are water tight and tap is fully open. Contact Authorised Service Agent.
Fluctuating pressure.	Nozzle worn or blocked. Water too hot. Pump sucking air.	Replace the lance or clear nozzle. Reduce temperature. Check that hoses and fittings are air tight.
Water or oil leaks.	Seals worn.	Contact Authorised Service Agent.
Motor does not start when switched on	No electrical power. Automatic cut-off system fault.	Check plug connections and mains power supply is active. Contact Authorised Service Agent.
Motor hums but does not start when switched on.	Unsuitable mains voltage. Motor/pump jammed. Pump frozen.	Check for adequate power supply and cable condition. Contact Authorised Service Agent. Leave unit to thaw naturally. The pressure washer should be protected from the threat of freezing. Extensive pump damage could otherwise occur (see end of Section 4).
The motor stops.	Incorrect extension cable. Tripped thermal cut-out due to overheating.	Use a suitable extension cable. See Section 1 Elect. Safety. Check that the mains voltage matches the specifications.
No detergent.	Detergent container is empty. Detergent pick up body clogged. Injector clogged.	Switch off the motor and let machine cool for 5 minutes. Refill detergent container. Clear blockage. Clean injector.
Jet is ineffective, ragged or unsteady. Fuse blows in plug.	Nozzle clogged. Back pressure build up of water causes machine to draw high amperage.	Clean nozzle. Depress trigger before switching on the machine.

7. MAINTENANCE

- ☐ **WARNING!** Ensure the pressure washer is switched off and unplugged from the mains electrical power supply and turned off at the mains water tap before performing any maintenance tasks.

7.1 REGULAR MAINTENANCE

- 7.1.1 Check, clean or renew the inlet filter (which is fitted inside the hose connector, see contents, item 6) after every 50 hours of use.
7.1.2 Ensure that both nozzles are kept clean and free of debris.
7.1.3 Check unit, lance, detergent bottle, hose, connections and cables for damage. Immediately replace or repair with genuine parts.

7.2 STORAGE

- 7.2.1 Store unit in blow mould case provided.
7.2.2 Do not store the unit in premises subject to freezing conditions. If this cannot be guaranteed then the unit should have a glycol based antifreeze run through it.
7.2.3 Immerse the water supply pipe into a container of antifreeze.
Immerse the lance into the same container (without the nozzle attached).
Hold the gun trigger open and start the unit.
The antifreeze will be drawn into the unit by suction. When an even, bubble free flow is obtained switch the unit off.

Declaration of Conformity We, the sole importer into the UK, declare that the product listed here is in conformity with the following standards and directives.

PRESSURE WASHER - 1450PSI
Model: PC1950.V2

89/392/EEC Machine Directive
73/23/EEC Low Voltage Directive
89/336/EEC EMC Directive
2000/14/EC Sound Pressure Directive
93/68/EEC Marking Directive



The construction file for this product is held by the Manufacturer and may be inspected, by a national authority, upon request to Jack Sealey Ltd.

Signed by Steve Buckle

1st February 2006

For Jack Sealey Ltd. Sole importer into the UK of Sealey Power Products.



Sole UK Distributor,
Sealey Group, Bury St.
Edmunds, Suffolk.



01284 757500



01284 703534



www.sealey.co.uk



sales@sealey.co.uk