

Thank you for purchasing a Sealey product. Manufactured to a high standard this product will, if used according to these instructions and properly maintained, give you years of trouble free performance.

**IMPORTANT: PLEASE READ THESE INSTRUCTIONS CAREFULLY. NOTE THE SAFE OPERATIONAL REQUIREMENTS, WARNINGS & CAUTIONS. USE THE PRODUCT CORRECTLY AND WITH CARE FOR THE PURPOSE FOR WHICH IT IS INTENDED. FAILURE TO DO SO MAY CAUSE DAMAGE AND/OR PERSONAL INJURY AND WILL INVALIDATE THE WARRANTY. PLEASE KEEP INSTRUCTIONS SAFE FOR FUTURE USE.**

### 1. SAFETY INSTRUCTIONS

#### 1.1 ELECTRICAL SAFETY

**WARNING!** It is the responsibility of the owner and the operator to read, understand and comply with the following: You must check all electrical products, before use, to ensure that they are safe. You must inspect power cables, plugs, sockets and any other connectors for wear or damage. You must ensure that the risk of electric shock is minimised by the installation of appropriate safety devices. A Residual Current Circuit Breaker (RCCB) should be incorporated in the main distribution board. We also recommend that a Residual Current Device (RCD) is used. It is particularly important to use an RCD with portable products that are plugged into a supply which is not protected by an RCCB. If in any doubt consult a qualified electrician. You may obtain a Residual Current Device by contacting your Sealey dealer. **You must** also read and understand the following instructions concerning electrical safety.

1.1.1 The **Electricity at Work Act 1989** requires all portable electrical appliances, if used on business premises, to be tested by a qualified electrician, using a Portable Appliance Tester (PAT), at least once a year.

1.1.2 The **Health & Safety at Work Act 1974** makes owners of electrical appliances responsible for the safe condition of those appliances and the safety of the appliance operators. **If in any doubt about electrical safety, contact a qualified electrician.**

1.1.3 Ensure that the insulation on all cables and on the appliance is safe before connecting it to the power supply. See 1.1.1. and 1.1.2. and use a Portable Appliance Tester.

1.1.4 Ensure that cables are always protected against short circuit and overload.

1.1.5 Regularly inspect power supply cables and plugs for wear or damage and check all connections to ensure that none is loose.

1.1.6 **Important:** Ensure that the voltage marked on the appliance matches the power supply to be used.

1.1.7 **DO NOT** pull or carry the appliance by the power cable.


1.1.8 **DO NOT** pull the plug from the socket by the cable.

1.1.9 **DO NOT** use worn or damaged cables, plugs or connectors. Immediately have any faulty item repaired or replaced by a qualified electrician. When an ASTA/BS approved UK 3 pin plug is damaged, cut the cable just above the plug and **dispose of the plug safely.** Fit a new plug according to the following instructions (UK only).

a) **Connect the GREEN/YELLOW earth wire to the earth terminal 'E'.**

b) **Connect the BROWN live wire to the live terminal 'L'.**

c) **Connect the BLUE neutral wire to the neutral terminal 'N'.**

d) **After wiring, check that there are no bare wires, that all wires have been correctly connected, that the cable outer insulation extends beyond the cable restraint and that the restraint is tight.** Double insulated products, which are always marked with this symbol , are fitted with live (brown) and neutral (blue) wires only. To rewire, connect the wires as indicated above - **DO NOT** connect either wire to the earth terminal.

1.1.10 This product requires more than 13 amps and is supplied without a plug. We recommend you contact a qualified electrician to ensure that a suitably rated supply is available. We recommend that you discuss the installation of an industrial round pin plug and socket with your electrician.

1.1.11 If an extension reel is used it should be fully unwound before connection. A reel with an RCD fitted is preferred since any appliance plugged into it will be protected. The cable core section is important and should be at least 1.5mm<sup>2</sup>, but to be absolutely sure that the capacity of the reel is suitable for this product and for others which may be used in the other output sockets, we recommend the use of 2.5mm<sup>2</sup> section cable. If extension reel is to be used outdoors, ensure it is marked for outdoor use.

#### 1.2 GENERAL SAFETY

**WARNING!** *Water and Electricity are dangerous partners. Be extremely cautious and always be aware that this device uses an electric motor. Always plug into an RCD (See electrical safety above). Unplug from mains before changing accessories or servicing.*

**WARNING!** *DO NOT USE the washer if any part of the unit, gun, nozzle, detergent bottle, hose or cables is damaged. Replace or repair using genuine parts only. Unauthorised parts may be dangerous and will invalidate your warranty. Always check connections are correctly secured and not cracked or damaged in any way before using the machine.*

**WARNING!** *Use washer on a flat, levelled surface, with the handle in a vertical position. Failure to do so will invalidate your warranty. NEVER use the washer tipped backwards or with the handle in a horizontal position.*

✓ Always be aware of the potential hazards that may occur during use. Study the applications and limitations of the washer before use.

✓ Keep the washer in good condition. Use an authorised agent to service the unit.

✓ Wear adequate protective clothing, goggles and anti-slip rubber soled footwear.

✓ Use where air can freely circulate around the washer to avoid the machine overheating.

**WARNING!** *Ensure all persons and animals keep at a minimum distance of 15 mtr from the washer when in use.*

**WARNING!** *The pressure washer must only be used with clean water. Non-filtered water or corrosive chemicals must not be used as they will damage the cleaner.*

✓ Ensure you comply with all local water supply regulations. Power washers may only be connected to mains drinking water supply if a valve to prevent back flow is installed in the supply hose, or at the tap outlet.

✓ Position the washer as near to the water supply as possible.

✓ The supply hose must be reinforced, and have an internal diameter of 13mm. The water supply must be at least equal to the cleaner

capacity. The water temperature must NOT exceed 122°F (50°C). The water supply pressure must NOT exceed 145psi (10 bar).

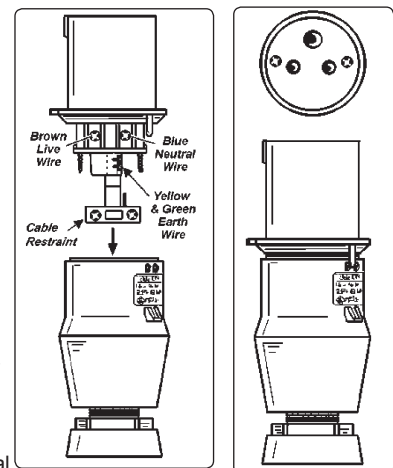
✓ Ensure the nozzle is aimed correctly at the working surface before activating the jet.

✓ Before operating the trigger, GRIP the gun firmly to counteract the recoil from the high pressure water jet.

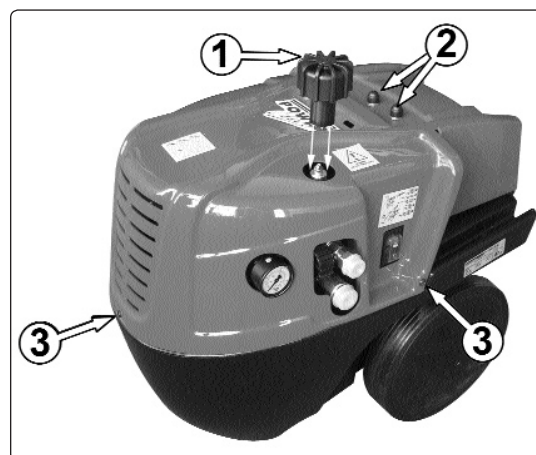
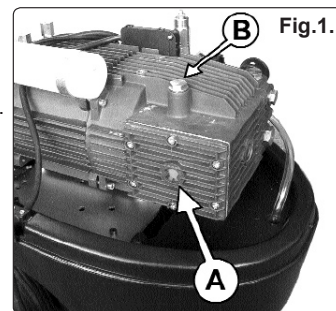
**WARNING!** *Avoid sudden bursts of water as such will cause water pressure to drop and put extreme pressure on hoses and connectors.*

✓ If, during operation, power failure occurs turn the electricity and water off for safety reasons (but see para. 4.4. Note b).

**WARNING!** *The high pressure jet will cause loose particles to be propelled at high speed, which may cause serious injury.*



- ❑ **WARNING! DO NOT use the washer without a water supply. Dry running can seriously damage the unit.**
- ✗ **DO NOT** touch plug with wet hands, to avoid the risk of electrocution. Keep all connections dry and off the ground.
- ❑ **WARNING! DO NOT leave the motor running for more than 15 minutes without operating the trigger, as the temperature/pressure increase may damage the machines seals.**
- ✗ **DO NOT** use the washer with flammable or toxic liquids or any other product. Only use recommended detergent. Non-recommended detergents may corrode the machine cover and accessories.
- ✗ **DO NOT** direct jet against yourself, other persons or animals, electrical equipment or the machine itself.
- ✗ **DO NOT** use washer if you are tired or under the influence of alcohol, drugs or intoxicating medication.
- ❑ **WARNING!** Discharge residual pressure before disconnecting the washer hose. Pressure remaining in unit may cause injury.
- ✓ After use disconnect washer from electrical and water supplies and store in a safe, dry, childproof area.
- ✗ **DO NOT** obstruct ventilation grilles during operation.
- ✗ **DO NOT** adjust any internal control valves, these have been set at the factory.
- ✗ **DO NOT** jam the trigger in the operating position.
- ✗ **DO NOT** move the unit by pulling the hoses or electrical cables. Always use handle.
- ✗ **DO NOT** leave the washer running unattended.
- ✗ **DO NOT** connect other appliances to the machine inlet or outlet.
- ✗ **DO NOT** use in damp or wet weather conditions.
- ✗ **DO NOT** allow children or untrained persons to operate the washer.

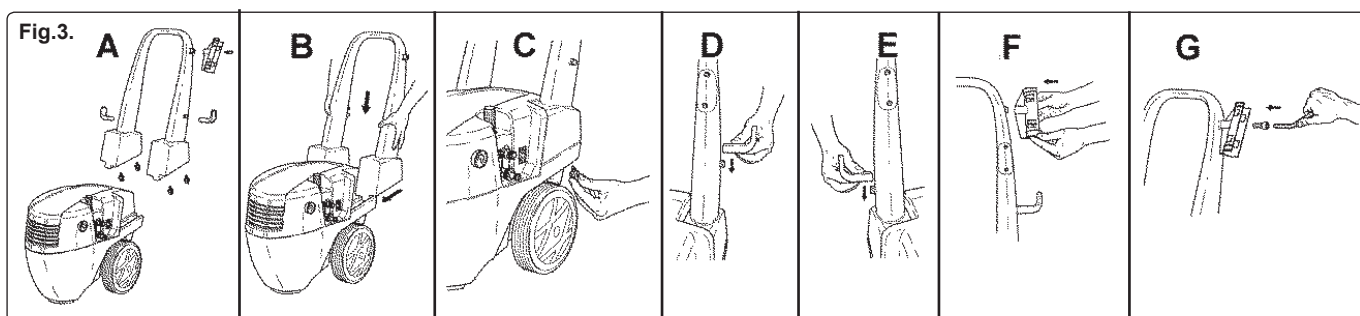


## 2. SPECIFICATIONS

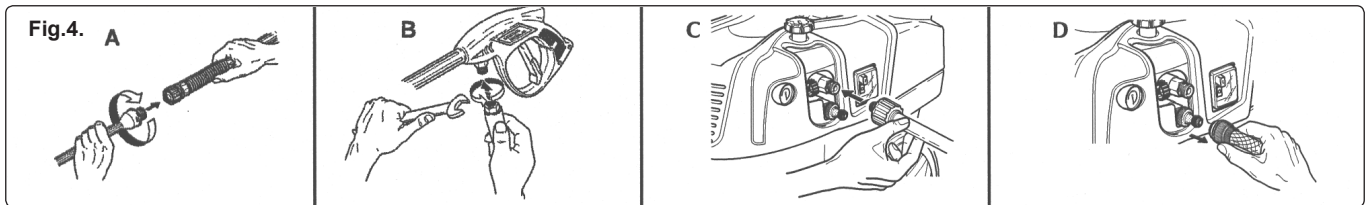
	PC1853	PC2003
Manifold Pressure	1850psi	2000psi
Pressure at nozzle	1850psi	2000psi
Water Flow	660ltr/hr	480ltr/hr
Motor Power	2250W	2250W
Input Voltage - Current	230V - 9.8A	230V - 9.8A
Recommended Power Supply	20A	30A
Motor rpm	2800rpm	2800rpm
Max Inlet Temp.	60°C	60°C
Hose Length	7.2mtr	7.2mtr
Weight	35kg	35kg

## 3. ASSEMBLY

- 3.1 Push the water output pressure control knob onto the valve stem as indicated in fig.2.1.
- 3.2 Attach the handle to the pressure washer (fig.3. A & B) and secure in place, using the four plastic headed bolts supplied (fig.3.C).
- 3.3 Clip on the side hooks (fig.3.D & E) and secure them with the self tapping screws provided.
- 3.4 Fit the gun holder and secure using the socket cap bolt and hex key provided (fig.3.F & G).



- 3.5 Connect the two halves of the lance together by screwing the nozzle section onto the pistol grip section, ensuring the two sections are completely locked (fig.4.A).
  - 3.6 Connect the high pressure hose to the pistol grip handle (fig.4.B).
  - 3.7 **Before starting the machine you must check the oil level.** To do this you will need to remove the red top cover of the machine in order to see the oil sight glass on the side of the pump head (fig.1.A). Firstly remove the plastic caps from the heads of the two large socket cap bolts on top of the red casing (fig.2.2). Remove the bolts using a 6mm hex key. Then remove the four self tapping screws that secure the edges of the cover (fig.2.3) and lift it off. Check the oil level in the oil sight glass. The level should be towards the top of the sight glass. If this is not the case you must top up the oil until the correct level is reached. Remove the brass oil filler bolt from the top of the pump head (fig.1.B) using a 17mm spanner and top up with multigrade oil (SAE 20/30). Replace the brass bolt and and secure the cover in place using the four self tapping screws and socket cap bolts removed earlier.
  - 3.8 Connect the other end of the high pressure hose to the upper threaded brass outlet situated to the left of the on/off switch (fig.4.C).
  - 3.9 Screw the plastic hose connector supplied, to the brass water inlet (fig.4.D).
  - 3.10 Connect a hose to the water inlet and connect the other end of the hose to the water supply.
- Note:** The supply tap must have an output at least equal to the output of the pump and the hose must have an internal diameter of at least 13mm.
- Note:** The temperature of the water should not exceed 122°F ( 50°C ) and the water supply pressure must not exceed 10 bar (145psi).  
**WARNING!** The pressure washer must only be used with clean water. Non-filtered water or corrosive chemicals must not be used as they will damage the cleaner.
- 3.11 Connect to the electricity supply as described in Section 1.



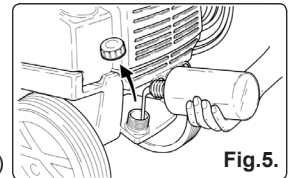
## 4. OPERATION

- ❑ **WARNING! DO NOT** run the washer without the water supply connected. Dry running can seriously damage the unit.
- ❑ **WARNING! DO NOT** leave the motor running for more than 15 minutes without operating the trigger, as the temperature /pressure increase may damage the machine's seals.

### 4.1 USING DETERGENT.

**NOTE: Liquid detergent must be sprayed at low pressure.**

4.1.1 Fill the detergent tank to the level indicated with a cleaning fluid such as Sealey AK131 General Purpose Detergent or Sealey AK133 Traffic Film Remover (fig.5). Where the clear pipe is attached to the washer you will find an adjustment wheel which controls the water/detergent mix (fig.6). When turned fully clockwise (when viewed from the front of the machine) no detergent is dispensed. As you turn the control anti-clockwise the fluid is progressively introduced. The lance nozzle must be set to the low ( - ) pressure position when using detergent (fig.7).



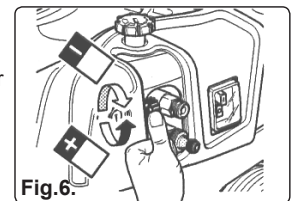
### 4.2 TURNING THE WASHER ON.

4.2.1 Using the large ribbed knob on top of the unit (fig.6) set the water output pressure to a midway setting.

4.2.2 Turn the mains water supply fully on and press the lance trigger for a few seconds to allow any residual air pressure in the system to escape.

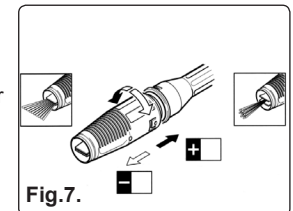
4.2.3 Aim the lance out of harms way and whilst keeping the trigger depressed, start the motor by pressing the power switch to 'ON'. Check for water leaks and tighten unions where necessary. **Always ensure that the trigger is fully depressed before starting the motor.**

4.2.4 Adjust the water output pressure to suit the job in hand.



### 4.3 USING THE WASHER.

4.3.1 The nozzle must be set to the low ( - ) pressure position when using detergent. ( See fig.7.) Grip the gun firmly to counteract the recoil of the water jet and aim at the working surface. On vertical surfaces work from the bottom upwards. Apply the detergent mix to the working surface and leave the detergent to act for 1 to 2 minutes, but do not let the surface dry out. Turn the detergent control fully clockwise to shut off the detergent flow and rinse the surface with clean water at high pressure, keeping the nozzle a minimum of 30cm from the surface and using the fan spray. For stubborn deposits reduce the fan to a pencil spray setting (See fig.7).



4.3.2 The washer has an automatic flow cut-off system, which stops the motor when the trigger is released. To restart the motor, squeeze the trigger and the motor will run after a very short delay.

**NOTE: To ensure the correct operation of this system, once the trigger has been released, it must not be pressed again for 4 - 5 seconds. The washer must not be left in automatic cut-off mode for longer than 15 minutes.**

### 4.4 WHEN WASHING IS COMPLETED.

4.4.1 Switch the motor off and turn off the mains water supply. ( Do not unplug from the electrical mains at this stage.)

4.4.2 Depress the trigger and switch the motor back on to discharge residual pressure within the system until no more water is discharged from the nozzle. Switch the motor off and unplug the machine from the electrical mains supply.

4.4.3 Clean and dry the machine and store in a secure location.

**NOTE: a)** If the water pressure drops ( i.e. someone using same water supply ), the washer will not operate correctly. Immediately switch off the motor and wait until the pressure is restored.

**b)** Should the motor stop and fail to restart, the built in thermal cut-out may have tripped. Check to ensure the washer is correctly connected to the water and electrical supply. ( Also see 'Trouble shooting' section ). Wait 5 minutes for the cut-out to reset and then restart the motor. If the motor continues to cut out contact your authorised service agent.

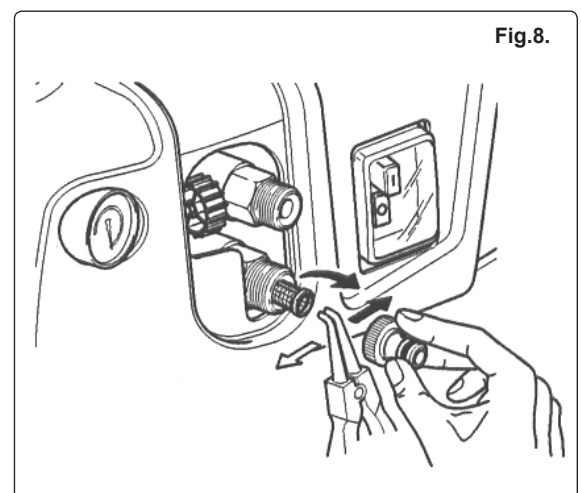
## 5. MAINTENANCE

- ❑ **WARNING! Ensure the pressure washer is switched off and unplugged from the electrical power supply and turned off at the water supply tap before proceeding.**

- 5.1 Take the nozzle cleaning tool, detach the lance from the gun and remove any dirt from nozzle, then rinse.
- 5.2 Check washer, gun, lance, hose, connections and cables for damage regularly. Repair or replace any damaged items before next use.
- 5.3 Check the oil level on a regular basis. Refer to section 3.7.
- 5.4 Check and clean the suction and detergent filters after every 50 hours of operation, fig.8.

**DO NOT open the casing, use authorised agent to service the washer.**

- 5.5 If storing the washer for a long period during winter ensure that the temperature of the storage area does not drop below freezing. Alternatively operate the washer with a non-corrosive, non-toxic anti-freeze before storage.
- 5.6 Periodically flush out the detergent system with clean water to eliminate build up of detergent deposits.
- 5.7 Keep the washer clean at all times.



## 6. TROUBLESHOOTING GUIDE

SYMPTOM	REASON	REMEDY
Pump does not reach required pressure	Nozzle incorrect or worn Air being sucked into system Water pressure low Worn piston packing Valves dirty, worn or stuck	Replace the nozzle Check that hoses and fittings are air tight Check that hoses / fittings are watertight and tap is fully open Contact Authorised Service Agent Contact Authorised Service Agent
Pressure drops during use	Valves dirty or worn Nozzle worn or blocked Unloader valve packing worn Worn piston packing Water too hot	Contact Authorised Service Agent Clean out or replace the nozzle Contact Authorised Service Agent Contact Authorised Service Agent Reduce temperature
Pump noisy	Pump sucking air Valves dirty or worn Worn piston packing Water too hot	Check that hoses and fittings are tight Contact Authorised Service Agent Contact Authorised Service Agent Reduce temperature
Presence of water in oil	High humidity in air Piston packing and oil seal worn	Check and replace oil twice as often Contact Authorised Service Agent
Oil leaks	Oil seals worn	Contact Authorised Service Agent
Motor does not start when switched on	Plug is not connected No electrical power	Insert plug and/or check plug connections Check that mains power is active
Motor hums but does not start when switched on	Unsuitable mains voltage Motor / Pump is stuck Pump is frozen  Incorrect extension cable	Check for adequate power supply and cable condition If jammed return to Sealey dealer Leave unit to thaw naturally. ( The washer should be protected from freezing conditions as extensive pump damage could result. See Maintenance. ) Use a suitable extension cable. See Section 1 ( Electrical safety )
Water dripping from pump	Piston packings worn Piston guide O-ring worn	Contact Authorised Service Agent Contact Authorised Service Agent
The motor stops	Tripped thermal overload due to overheating	Check that mains voltage matches the specifications Switch off the motor and let the machine cool for 5 minutes
Fluctuating pressure	Valves worn, dirty or stuck Pump sucking air Worn piston packing	Contact Authorised Service Agent Check that hoses and fittings are airtight Contact Authorised Service Agent

**NOTE:** It is our policy to continually improve products and as such we reserve the right to alter data, specifications and component parts without prior notice.

**IMPORTANT:** No liability is accepted for incorrect use of this product.

**WARRANTY:** Guarantee is 12 months from purchase date, proof of which will be required for any claim.

**INFORMATION:** For a copy of our latest catalogue and promotions call us on 01284 757525 and leave your full name and address, including postcode.



Sole UK Distributor, Sealey Group,  
Kempson Way, Suffolk Business Park,  
Bury St. Edmunds, Suffolk,  
IP32 7AR



01284 757500



www.sealey.co.uk



01284 703534



sales@sealey.co.uk