



™ STAND FOR SMALL ENGLISH WHEEL

MODEL NO: MW22

Thank you for purchasing a Sealey product. Manufactured to a high standard, this product will, if used according to these instructions, and properly maintained, give you years of trouble free performance.

IMPORTANT: PLEASE READ THESE INSTRUCTIONS CAREFULLY. NOTE THE SAFE OPERATIONAL REQUIREMENTS, WARNINGS & CAUTIONS. USE THE PRODUCT CORRECTLY AND WITH CARE FOR THE PURPOSE FOR WHICH IT IS INTENDED. FAILURE TO DO SO MAY CAUSE DAMAGE AND/OR PERSONAL INJURY AND WILL INVALIDATE THE WARRANTY. KEEP THESE INSTRUCTIONS SAFE FOR FUTURE USE.



Refer to instruction manual



Wear a face shield



Wear protective gloves

1. SAFETY

- ✓ Keep the manual for the safety warnings and precautions, assembly instructions, operating and maintenance procedures, parts list and diagram. Keep the manual in a safe and dry place for future reference.
- ✓ Keep work area clean. Cluttered areas invite injuries. Observe work area conditions.
- ✗ **DO NOT** use machines in damp or wet locations. **DO NOT** expose to rain. Keep work area well lit.
- ✓ Keep children away. Children must never be allowed in the work area. **DO NOT** let them handle machines or tools.
- ✓ Store idle equipment. When not in use, tools must be stored in a dry location to inhibit rust. Always lock up tools and keep out of reach of children.
- ✗ **DO NOT** force tool. It will do the job better and more safely at the rate for which it was intended. **DO NOT** use inappropriate attachments in an attempt to exceed the tool capacity.
- ✓ Use the right tool for the job. **DO NOT** attempt to force a small tool or attachment to do the work of a larger industrial tool.
- ✗ **DO NOT** modify this tool and do not use this tool for a purpose for which it was not intended.
- ✓ Dress properly. **DO NOT** wear loose clothing or jewellery as they can be caught in moving parts.
- ✓ Protective, electrically non-conductive clothes and non-skid footwear are recommended when working.
- ✓ Wear restrictive hair covering to contain long hair.
- ✓ Use eye protection. Always wear approved impact safety goggles. Wear a full face shield if you are producing metal filings or wood chips. Wear approved dust mask or respirator when working around metal, wood, and chemical dusts and mists.
- ✗ **DO NOT** overreach. Keep proper footing and balance at all times. **DO NOT** reach over or across operating machines.
- ✓ Maintain tools with care. Keep tools sharp and clean for better and safer performance. Follow instructions for lubricating and changing accessories.
- ✓ Keep must be kept clean, dry, and free from oil and grease at all times.
- ✓ Remove adjusting keys and wrenches. Check that keys and adjusting wrenches are removed from the tool or machine work surface before use.
- ✓ Stay alert. Watch what you are doing, use common sense. **DO NOT** operate any tool when you are tired.
- ✓ Check for damaged parts. Before using any tool, any part that appears damaged should be carefully checked to determine that it will operate properly and perform its intended function.
- ✓ Check for alignment and binding of moving parts; any broken parts or mounting fixtures; and any other condition that may affect proper operation. Any part that is damaged should be properly repaired or replaced by a qualified technician.
- ✓ Replacement parts and accessories. When servicing, use only identical replacement parts. Use of any other parts will void the warranty. Only use accessories intended for use with this tool.
- ✗ **DO NOT** operate tool if under the influence of alcohol or drugs. Read warning labels if taking prescription medicine to determine if your judgment or reflexes are impaired while taking drugs. If there is any doubt, do not operate the tool.
- ✓ Maintenance. For your safety, service and maintenance should be performed regularly by a qualified technician.
- ✓ Workpiece may be sharp.
- ☐ **WARNING!** The warnings, cautions, and instructions discussed in this instruction manual cannot cover all possible conditions and situations that may occur. It must be understood by the operator that common sense and caution are factors which cannot be built into this product, but must be supplied by the operator.

2. INTRODUCTION

Easily assembled free standing floor mount for MW21 small English wheel. Compatible with English Wheel for sheet metal shaping, forming, and car body repair. Constructed from high-quality materials for long-lasting reliability in workshop environments.

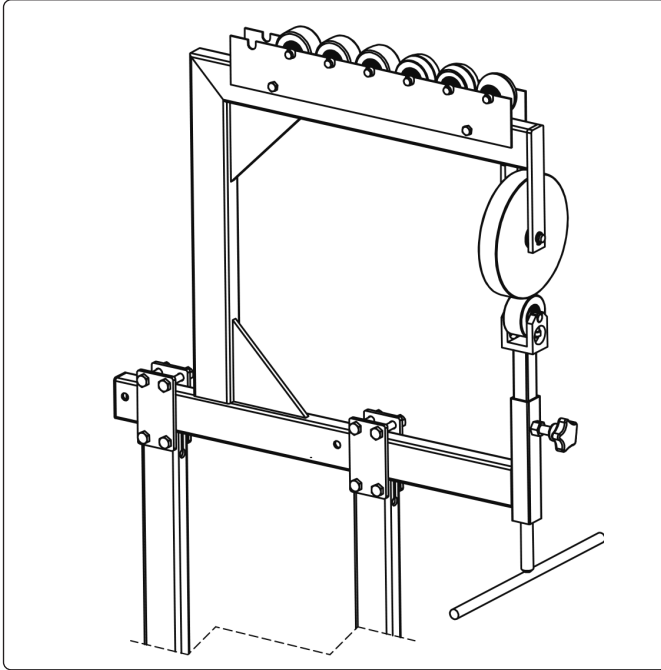
3. SPECIFICATION

Model No:MW22
 Assembled Size:555x558x1008mm
 Weight:..... 10.2kg

4. ASSEMBLY

Numbers refer to attached Parts List

- 4.1. Connect the Back Stand (1#) and the Link Bracket (3#) using Bolt M8X70 (6#), Washer 8mm (7#), Spring Washer 8mm (8#) and Nut M8 (9#).
- 4.2. Assemble the Front Seat (4#) and the Link Bracket (3#) using Bolt M8X50 (5#), Washer 8mm (7#), Spring Washer 8mm (8#) and Nut M8 (9#).
- 4.3. Connect the Upright Front (2#) and the Link Bracket (3#) using Bolt M8X70 (6#), Washer 8mm (7#), Spring Washer 8mm (8#) and Nut M8 (9#).
- 4.4. Connect the Upright Rear (1#) and Plate (10#) using Bolt M8X50 (5#), Washer 8mm (7#), Spring Washer 8mm (8#) and Nut M8 (9#).
- 4.5. Connect the Upright Front (2#) and Plate (10#) using Bolt M8X50 (5#), Washer 8mm (7#), Spring Washer 8mm (8#) and Nut M8 (9#).
- 4.6. Mount the English Wheel to the assembled Stand using Bolt M8X50 (5#), Washer 8mm (7#), Spring Washer 8mm (8#) and Nut M8 (9#).



5. MAINTENANCE

- 5.1. Keep the machine clean. **DO NOT** solvent based products.



ENVIRONMENT PROTECTION

Recycle unwanted materials instead of disposing of them as waste. All tools, accessories and packaging should be sorted, taken to a recycling centre and disposed of in a manner which is compatible with the environment. When the product becomes completely unserviceable and requires disposal, drain any fluids (if applicable) into approved containers and dispose of the product and fluids according to local regulations.

Note: It is our policy to continually improve products and as such we reserve the right to alter data, specifications and component parts without prior notice.

Important: No Liability is accepted for incorrect use of this product.

Warranty: Guarantee is 12 months from purchase date, proof of which is required for any claim.



Sealey Group, Kempson Way, Suffolk Business Park, Bury St Edmunds, Suffolk. IP32 7AR



01284 757500



sales@sealey.co.uk



www.sealey.co.uk