



INSTRUCTIONS FOR
INVERTER WELDER 140/160/180/200AMP
MODEL NO'S: **MW140A.V2/MW160A.V2/
MW180A.V2/MW200A.V2**

Thank you for purchasing a Sealey product. Manufactured to a high standard, this product will, if used according to these instructions, and properly maintained, give you years of trouble free performance.

IMPORTANT: PLEASE READ THESE INSTRUCTIONS CAREFULLY. NOTE THE SAFE OPERATIONAL REQUIREMENTS, WARNINGS & CAUTIONS. USE THE PRODUCT CORRECTLY AND WITH CARE FOR THE PURPOSE FOR WHICH IT IS INTENDED. FAILURE TO DO SO MAY CAUSE DAMAGE AND/OR PERSONAL INJURY AND WILL INVALIDATE THE WARRANTY. KEEP THESE INSTRUCTIONS SAFE FOR FUTURE USE.



Refer to instruction manual



Fire hazard



Arc rays wear eye protection



Electric shock hazard



Fumes / gases Use in ventilated area



Hot surfaces wear protective gloves



Magnetic fields produced

1. SAFETY

1.1. ELECTRICAL SAFETY

- WARNING!** It is the responsibility of the owner and the operator to read, understand and comply with the following: You must check all electrical products, before use, to ensure that they are safe. You must inspect power cables, plugs, sockets and any other connectors for wear or damage. You must ensure that the risk of electric shock is minimised by the installation of appropriate safety devices. A Residual Current Circuit Breaker (RCCB) should be incorporated in the main distribution board. We also recommend that a Residual Current Device (RCD) is used. It is particularly important to use an RCD with portable products that are plugged into a supply which is not protected by an RCCB. If in any doubt consult a qualified electrician. You may obtain a Residual Current Device by contacting your Sealey stockist. You must also read and understand the following instructions concerning electrical safety.
- 1.1.1. The Electricity at Work Act 1989 requires that all portable electrical appliances, if used on business premises, are tested by a qualified electrician, using a Portable Appliance Tester (PAT), at least once a year.
- 1.1.2. The Health & Safety at Work Act 1974 makes owners of electrical appliances responsible for the safe condition of those appliances and the safety of the appliance operators. If in any doubt about electrical safety, contact a qualified electrician.
 - ✓ Ensure that the insulation of all cables on the appliance is safe before connecting it to the power supply. See 1.1.1. and 1.1.2. and use a Portable Appliance Tester.
 - ✓ Ensure that cables are always protected against short circuit and overload.
 - ✓ Regularly inspect power supply cables and plugs for wear or damage and check all connections to ensure that none is loose.
 - ✓ Ensure that the voltage marked on the appliance matches the power supply to be used.
 - ✗ **DO NOT** pull or carry the appliance by the power cable.
 - ✗ **DO NOT** pull the plug from the socket by the cable.
 - ✗ **DO NOT** use worn or damaged cables, plugs or connectors. Have any faulty item repaired or replaced immediately by a qualified electrician.
- 1.1.3. We recommend connection to a supply with a type C breaker. If in doubt you must contact a qualified electrician to ensure that a suitably rated supply is available.
 - WARNING!** Be very cautious if using a petrol or diesel generator. The generator must be stable with regard to frequency (H3), voltage and wave form. The output must be higher than the power (kVA) of the inverter. The generator must also be self regulating. If any A.M. feature is not respected the working of the regulation card may be affected. Use of a generator without a regulator may be dangerous and will invalidate your inverter warranty.

230V 1ph
THE INVERTER MUST BE CONNECTED TO A 32AMP SUPPLY FOR MAXIMUM OUTPUT

1.2. GENERAL SAFETY

1.2.1. Operator Safety

- ✓ Operators must receive adequate training before using the inverter.
- ✓ Remove ill fitting clothing, remove ties, watches, rings and other loose jewellery and contain long hair.
- ✗ **DO NOT** operate the inverter while under the influence of drugs, alcohol or intoxicating medication, or if tired.
- ✓ Stand correctly keeping a good footing and balance, ensure that the floor is not slippery and wear non-slip shoes.
- ✓ Keep unauthorised persons away from the work area. Any persons working within the area must wear the same protective items.
- ✓ Avoid oily greasy clothing. A spark may ignite them.
- ✗ **DO NOT** touch the work piece close to the weld as it will be very hot. Allow to cool.
- ✗ **DO NOT** touch the electrode holder immediately after use. Allow the electrode holder to cool.
- ✓ Wear safety welding gauntlets.

1.2.2. Cable Connections

- ✓ Keep the inverter and cables in good working order and condition. Take immediate action to repair or replace damaged parts.
- ✓ Ensure that there is no obstruction to the flow of clean, cool air and ensure that there are no conductive dusts, corrosive vapours or humidity which could enter the inverter and cause serious damage.
- ✗ **DO NOT** weld containers or pipes which have held flammable materials - gases, liquids or solids.
- ▲ **DANGER!** Avoid welding on materials cleaned with chlorinated solvents or near such solvents. Vapours from chlorinated solvents (such as de-greasers) can be decomposed by the heat of the arc to form PHOSGENE, a highly toxic gas, and other lung and eye irritating products. The ultraviolet (radiant) energy of the arc can also decompose trichloroethylene and perchloroethylene vapours to form phosgene.

- ✗ **DO NOT** weld where solvent vapours can be drawn into the welding or cutting atmosphere or where the radiant energy can penetrate to atmospheres containing even minute amounts of trichloroethylene or perchloroethylene.
 - ✓ Prevent dangerous conditions arising by providing adequate ventilation. **NEVER** ventilate with oxygen.
 - ▲ **DANGER!** Lead-, cadmium-, zinc-, mercury- and beryllium-, bearing materials, when welded (or cut) may produce harmful concentrations of toxic fumes. Adequate local exhaust ventilation must be used, or each person in the area as well as the operator must wear an air-supplied respirator. For beryllium, both must be used. Metals coated with or containing materials that emit toxic fumes should not be heated unless coating is removed from the work surface, the area is well ventilated, or the operator wears an air-supplied respirator.
 - ✗ **DO NOT** work in an unventilated confined space. If necessary, wear an air-supplied respirator.
 - ☐ **WARNING!:** Generator engine exhaust must be vented to the outside air. Carbon monoxide can kill.
- 1.2.3. **Protection from Arc**
- ☐ **WARNING!:** Use welding head shield to protect eyes and avoid exposing skin to ultraviolet rays given off by electric arc. Looking at an arc momentarily with unprotected eyes (particularly a high intensity gas-shielded arc) can cause a retinal burn that may leave a permanent dark area in the field of vision.
 - ✓ Before welding whilst wearing contact lenses, seek advice from your optician.
 - ✓ Avoid unintentional contact with workpiece. Accidental or uncontrolled arcing on the electrode holder may be dangerous.
 - ✗ **DO NOT** hit the electrode on the workpiece, this may damage the electrode and make strike-up difficult.
 - ✓ Wear safety welding gauntlets.
- 1.2.4. **Welding Environment.**
- ✓ Locate the inverter in a suitable work area.
 - ✓ See Section 11 regarding Electromagnetic Compatibility.
 - ✓ Keep the work area clean and tidy and free from unrelated materials. Also ensure that the work area has adequate lighting.
 - ✗ **DO NOT** get inverter wet or use in damp or wet locations or areas where there is condensation.
 - ✓ First aid facilities and a qualified first aid person should be available during welding operations.
 - ✓ For production welding, a separate room or enclosed bay should be provided. In open areas, surround the operation with low reflective, non-combustible screens or panels. Allow for free air circulation, particularly at floor level. Provide face shields for all persons who will be looking directly at the weld. Before starting to weld, make sure that screen or bay doors are closed.
 - ✓ Always ensure that there is full free air circulating around the outer casing of the machine, and that the louvres are unobstructed.
- 1.2.5. **Fire Hazard**
- ☐ **WARNING:** Be aware that flying sparks or falling slag can pass through cracks, along pipes, through windows or doors, and through wall or floor openings, out of sight of the operator. Sparks and slag can fly 10m.
 - ✗ **DO NOT** weld within 10 metres of combustible materials (including building construction materials).
 - ✗ **DO NOT** weld adjacent to openings (concealed or visible) in floors or walls within 10m that can expose combustibles to sparks.
 - ✗ **DO NOT** weld near to walls, ceilings, roofs or metal partitions where there are combustibles that can be ignited by radiant or conducted heat.
 - ✓ Have suitable fire extinguishing equipment available and someone to use it during welding operations and for some time after welding ceases. After work is done, check that area is free of sparks, glowing embers, and flames.
- 1.3. **Product Care & Maintenance**
- ✗ **DO NOT** attempt to fit any unapproved electrode holder, components, or parts to the inverter unit.
 - ✓ Keep the inverter clean for best and safest performance.
 - ☐ **WARNING:** If the case is opened for maintenance or repair, wait 10-15 seconds after the unit is switched off for the capacitor to discharge.

2. INTRODUCTION

Lightweight, powerful and incredibly versatile, inverters offer many advantages over traditional transformer type welders. Inverters use state-of-the-art electronic components to produce fully portable power sources for arc welding. For example, Model No. MW160A will produce up to 160Amps at 20% duty cycle; a conventional 160Amp welder would have a duty cycle of around 10%. Manufactured from pressed steel with a powder coated finish for extra corrosion resistance, with ergonomically designed composite end to a stylish design and allowing these models to weigh under 8kg. Ideal for the mobile technician or applications where the power unit needs to be taken to the job.

3. SPECIFICATION

Model No.	MW140A.V2	MW160A.V2	MW180A.V2	MW200A.V2
Welding Current	20-140A	20-160A	20-180A	20-200A
Duty Cycle	100%@63A	100%@72A	100%@80A	100%@89A
	60%@81A	60%@92A	60%@104A	60%@115A
	20%@140A	20%@160A	20%@180A	20%@200A
Electrode Capacity	Ø1.6-3.2mm	Ø1.6-3.2mm	Ø1.6-4mm	Ø1.6-5mm
Absorbed Power	4.64KW	5.5KW	6.5KW	7KW
Supply	230V	230V	230V	230V
Protection	IP21S	IP21S	IP21S	IP21S
Nett Weight	7.12Kg	7.34Kg	7.44Kg	8.00Kg
TIG Accessory Kit (Optional)	TIG10S	TIG10S	TIG10S	TIG10S

4. PREPARATION

- ☐ **WARNING!** Ensure that the inverter is not plugged into the mains power supply before connecting or disconnecting cables. For electrical installation, see Safety Instructions (Section 1).
- ☐ **WARNING!** Failure to follow the electrical safety instructions may affect the operating performance and could damage the built-in safety system which, in turn, could result in personal injury or fatality and will invalidate the warranty.

4.1. **Welding Cable “Electrode Holder” Connection**

4.1.1. Before connecting cables it is important to refer to the electrode manufacturer’s instructions on the electrode packaging which will indicate the correct polarity connection for the electrode, together with the most suitable current to use.

4.2. **Arc Welding**

4.2.1. In principle, when ARC welding the Electrode Holder “POSITIVE” is normally connected to the “POSITIVE” (+) terminal (fig.1).

4.2.2. The WORK CLAMP cable is connected to the terminal not occupied by the electrode holder cable. The clamp is connected to:

- a) The work piece, or
- b) A metallic work bench. The connection must be as close to the proposed weld as possible.

WARNING! Cable connectors must be turned into the quick plugs fully to ensure a good electrical contact. Loose connections will cause overheating, rapid deterioration and loss in efficiency.

DO NOT use welding cables over 10m in length.

With the exception of a metallic workbench **DO NOT** connect the return cable to any metallic structure which is not part of the workpiece, as this will jeopardise weld quality and may be dangerous.



4.3. **Back Panel (fig.1)**

Rocker switch. Turns mains power on and off.

4.4. **Front panel (fig.2)**

4.4.1. **Welding Current Control:** Regulates welding current with graduated outer scale in amps.

4.4.2. **Power Indicator:** Illuminates when machine is switched on ready for use.

4.4.3. **Welding Mode Selector:** To select between arc welding and TIG welding modes selected mode is indicated by indicators.

4.4.4. **Alarm Indicator:** Illuminates when the circuitry within the machine overheats. Allowing the inverter to cool down naturally will restore operation after a period of time. See rating plate for details of duty cycle.

4.5. **Electrodes**

4.6. The welding current must be regulated according to the diameter of the electrode in use and the type of joint to be welded. See diameter/current chart below.

Electrode Ømm	Minimum Welding Current Amps	Maximum Welding Current Amps
1.6	25	50
2.0	40	80
2.5	60	110
3.2	80	160
4.0	120	200

5. WELDING PROCEDURE

WARNING! Ensure that you read, understand and follow the safety instructions. Place the welding mask in front of your face before striking the arc.

5.1. **Arc Welding**

5.1.1. Strike the electrode tip on the workpiece as if you were striking a match.

WARNING! DO NOT hit the electrode on the workpiece, as this may damage the electrode.

5.1.2. As soon as the arc is struck, maintain a distance from the workpiece equal to the diameter of the electrode. Keep this distance as constant as possible for the duration of the weld. As you advance along the workpiece the angle of the electrode must be maintained at between 20° and 30°. See fig.4.

5.1.3. At the finish of the weld, bring the end of the electrode backward in order to fill the weld crater and then quickly lift the electrode from the weld pool to extinguish the arc.

WARNING! Hot metal such as electrode stubs and workpieces should never be handled without gloves.

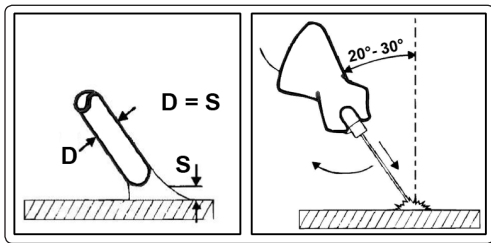
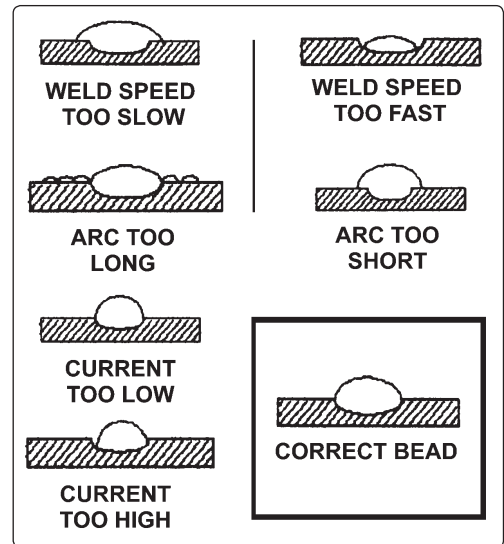


Fig.4



6. MAINTENANCE

- ❑ **WARNING!** Before carrying out routine maintenance, switch off the welding and disconnect it from the mains power supply.
 - ❑ **WARNING!** If the welding machine is not functioning properly repairs should be carried out only and by authorised service engineers.
 - ❑ **WARNING!** Before removing the welding machine panels switch off the machine and disconnect it from the mains power supply. Wait 10-15 seconds after the unit is switched off for the capacitor to discharge.
- 6.1. Periodically remove the casing and, with a low pressure air flow (max 1bar or 15psi), remove dust from inside the machine.
 - * **DO NOT** direct compressed air onto the electronic circuit boards, these should be cleaned with a very soft brush.
 - 6.2. Ensure that all electrical connections are tight and check the wiring for damage to the insulation.
 - 6.3. Ensure that the casing is correctly replaced and secured before attempting to use the inverter.
 - 6.4. Keep the outside of the machine clean by wiping with a soft, dry cloth.
 - 6.5. For any other service or maintenance, contact your local Sealey service agent.

7. TROUBLESHOOTING

- 7.1. If you have a problem with the inverter, check to ensure that the following are correct:
 - 7.1.1. Check that the welding current is suitable for the diameter and type of electrode being used.
 - 7.1.2. When the mains switch is on, check that the power lamp is on. If this is not the case then there may be a mains supply problem.
 - 7.1.3. Check the overheat indicator - has the thermal cut-out activated? This indicates either an over or under voltage or short circuit. If the thermal interrupter has activated, wait for the machine to cool down before restarting.
 - 7.1.4. Ensure that you are using the correct supply voltage.
 - 7.1.5. Check the machine output and ensure there is nothing causing a short-circuit.
 - 7.1.6. Check that all circuit connections are correct. In particular check that the work clamp is correctly attached to the workpiece. Ensure that there is no grease, paint etc. on the surface.

8. RATING PLATE

The ratings plate on the inverter gives the following data:

- 1 - Rating of internal protection provided by casing.
- 2 - Symbol for power supply line: 1= Single-phase AC.
- 3 - Indicates that welding may be carried out in environments with a heightened risk of electric shock eg very close to large metallic objects.
- 4 - Welding procedure: manual arc welding with covered electrode
- 5 - Symbol for internal structure of the welding machine.
- 6 - Model No.
- 7 - Manufacturers Serial Number for welding machine identification.
- 8 - The EUROPEAN standard relating to the safety and construction of arc welding machines.
- 9 - Output.
 - U_0 : Maximum no load voltage.
 - I_2, U_2 : Current and corresponding normalised voltage that the welding machine can supply during welding.
 - X: Welding ratio based on a 10 minute duty cycle. 30% indicates 3 minutes welding and 7 minutes rest, 100% indicates continuous welding. A/V-A/V: Shows the of adjustment for the welding current (min - max) at the corresponding arc voltage.
- 10 - Power Supply
 - U_1 : Alternating voltage and power supply frequency of welding machine.(allowed limit $\pm 10\%$)
 - I_{1max} : Maximum current absorbed by the line.
 - I_{1eff} : Effective current supplied.

6	Model No.	NO.:	7
5	1~	EN 60974-1	
4		MMA	
		TIG	
		X	20% 60% 100%
3		MODE	MMA TIG MMA TIG MMA TIG
	$U_0 =$	I_2	
		U_2	
2		$U_1 = 230 V$ (220~240 V)	$I_{1max} =$ $I_{1eff} =$
1	IP21S		

For illustration only

9. ELECTROMAGNETIC COMPATIBILITY

- 9.1. THIS EQUIPMENT IS IN CONFORMITY WITH THE EUROPEAN STANDARD ON THE ELECTROMAGNETIC COMPATIBILITY OF ARC WELDING EQUIPMENT AND SIMILAR PROCESSES (e.g. ARC AND PLASMA CUTTING)
- 9.2. **Protection against interference. (E.M.C.)** The emission limits in this standard may not, however, provide full protection against interference to radio and television reception when the equipment is used closer than 30m to the receiving antenna. In special cases, when highly susceptible apparatus is being used in close proximity, additional mitigation measures may have to be employed in order to reduce the electromagnetic emissions. At the same time there could occur some potential difficulties in having electromagnetic compatibility in a non-industrial environment (e.g. in residential areas). Therefore it is most important that the equipment is used and installed according to the following instructions.
- 9.3. **Installation and use.** The user is responsible for installing and using the equipment according to these instructions. If electromagnetic disturbances are detected, then it shall be the responsibility of the user of the equipment to resolve the situation with the technical assistance of the supplier. In some cases this remedial action may be as simple as earthing the circuit (see Note). In other cases it could involve constructing an electromagnetic screen, enclosing the welding power source and the work, complete with associated input filters. In all cases the electromagnetic disturbances shall be reduced to the point where they are no longer troublesome.
Note: The welding/cutting circuit may or may not be earthed for safety reasons. Changing the earthing arrangements should only be authorised by a person who is competent to assess whether the changes will increase the risk of injury, e.g. by allowing parallel welding/cutting circuit return paths which may damage the earth circuits of other equipment. Further guidance is given in IEC 974-13 'Arc Welding Equipment - Installation and Use.'
- 9.4. **Assessment of area.** Before installing the equipment the user shall make an assessment of potential electromechanical problems in the surrounding area. The size of the surrounding area to be considered will depend on the structure of the building and other activities that are taking place. The surrounding area may extend beyond the boundaries of the premises.
The following shall be taken into account :
- a) Other supply cables, control cables, signalling and telephone cables, above, below and adjacent to the welding equipment.
 - b) Radio and television transmitters and receivers.
 - c) Computer and other control equipment.
 - d) Safety critical equipment, e.g. security monitoring of industrial equipment.
 - e) The health of people in the vicinity, e.g. persons fitted with a pacemaker or hearing aid.
 - f) Equipment used for calibration or measurement.
 - g) The immunity of other equipment in the environment. The user shall ensure that other equipment being used in the environment is compatible. This may require additional protective measures.
 - h) The time of day that welding and other activities are to be carried out.
- 9.5. **Rating plate** The equipment should be connected to the mains supply according to these instructions. If interference occurs, it may be necessary to take additional precautions such as filtering of the mains supply. Consideration should also be given to shielding the supply cable of permanently installed equipment in metallic conduit or equivalent. This shielding should be connected to the power source so that good electrical contact is maintained between the conduit and the welding power source enclosure.
- 9.6. **Maintenance of the equipment.** The equipment should be routinely maintained according to these instructions. All access and service covers should be closed and properly fastened when the welding equipment is in operation. The welding equipment should not be modified in any way except for those changes and adjustments covered in these instructions. In particular, the spark gaps of any arc striking and stabilising devices should be adjusted and maintained according to the instructions.
- 9.7. **Cables.** The welding/cutting cables should be kept as short as possible and should be positioned close together, running at or close to the floor level.
- 9.8. **Equipotential bonding.** Bonding of all metallic components in the welding/cutting installation and adjacent to it should be considered. However, metallic components bonded to the workpiece will increase the risk that the operator could receive a shock by touching these metallic components and the electrode at the same time. The operator should be insulated from all such bonded metallic components.
- 9.9. **Earthing of the workpiece.** Where the workpiece is not bonded to earth for electrical safety, nor connected to earth because of its size and position, e.g. ship's hull or building steelwork, a connection bonding the workpiece to earth may reduce emissions in some, but not all instances. Care should be taken to prevent the earthing of the workpiece increasing the risk of injury to others or damage to other electrical equipment. Where necessary, the connection of the workpiece to earth should be made by a direct connection to the workpiece, but in some countries where direct connection is not permitted, the bonding should be achieved by a suitable capacitance, selected according to national regulations.
- 9.10. Selective screening and shielding of other cables and equipment in the surrounding area may alleviate problems of interference. Screening of the entire welding/cutting installation may be considered for special applications.



ENVIRONMENT PROTECTION

Recycle unwanted materials instead of disposing of them as waste. All tools, accessories and packaging should be sorted, taken to a recycling centre and disposed of in a manner which is compatible with the environment. When the product becomes completely unserviceable and requires disposal, drain any fluids (if applicable) into approved containers and dispose of the product and fluids according to local regulations.



WEEE REGULATIONS

Dispose of this product at the end of its working life in compliance with the EU Directive on Waste Electrical and Electronic Equipment (WEEE). When the product is no longer required, it must be disposed of in an environmentally protective way. Contact your local solid waste authority for recycling information.

Note: It is our policy to continually improve products and as such we reserve the right to alter data, specifications and component parts without prior notice.

Important: No Liability is accepted for incorrect use of this product.

Warranty: Guarantee is 12 months from purchase date, proof of which is required for any claim.

Sealey Group, Kempson Way, Suffolk Business Park, Bury St Edmunds, Suffolk. IP32 7AR



01284 757500



01284 703534



sales@sealey.co.uk



www.sealey.co.uk



EC DECLARATION OF CONFORMITY

Description and Function: **Inverter Welder 140Amp, 160Amp, 180Amp, 200Amp 230V**

Model/Type: **MW140A v2 MW160A v2 MW180A v2 MW200A v2**

Manufacturing Date/Serial Number where applicable:

2014/30/EU EMC Directive

2014/35/EU Low Voltage Directive

2011/65/EU RoHS Directive

This declaration of conformity is issued under the sole responsibility of the manufacturer:

Jack Sealey Ltd, Kempson Way, Suffolk Business Park, Bury St Edmunds, Suffolk. IP32 7AR

Declaration of Conformity in accordance with the above Directive(s).

References to harmonised standard(s)

EN 60974-1:2012

EN 60974-10:2007

.....
.....
.....
.....
.....

Technical file compiled by: **Jack Sealey Ltd**

Being the responsible person appointed by the manufacturer.

Signed *Steve Buckle*

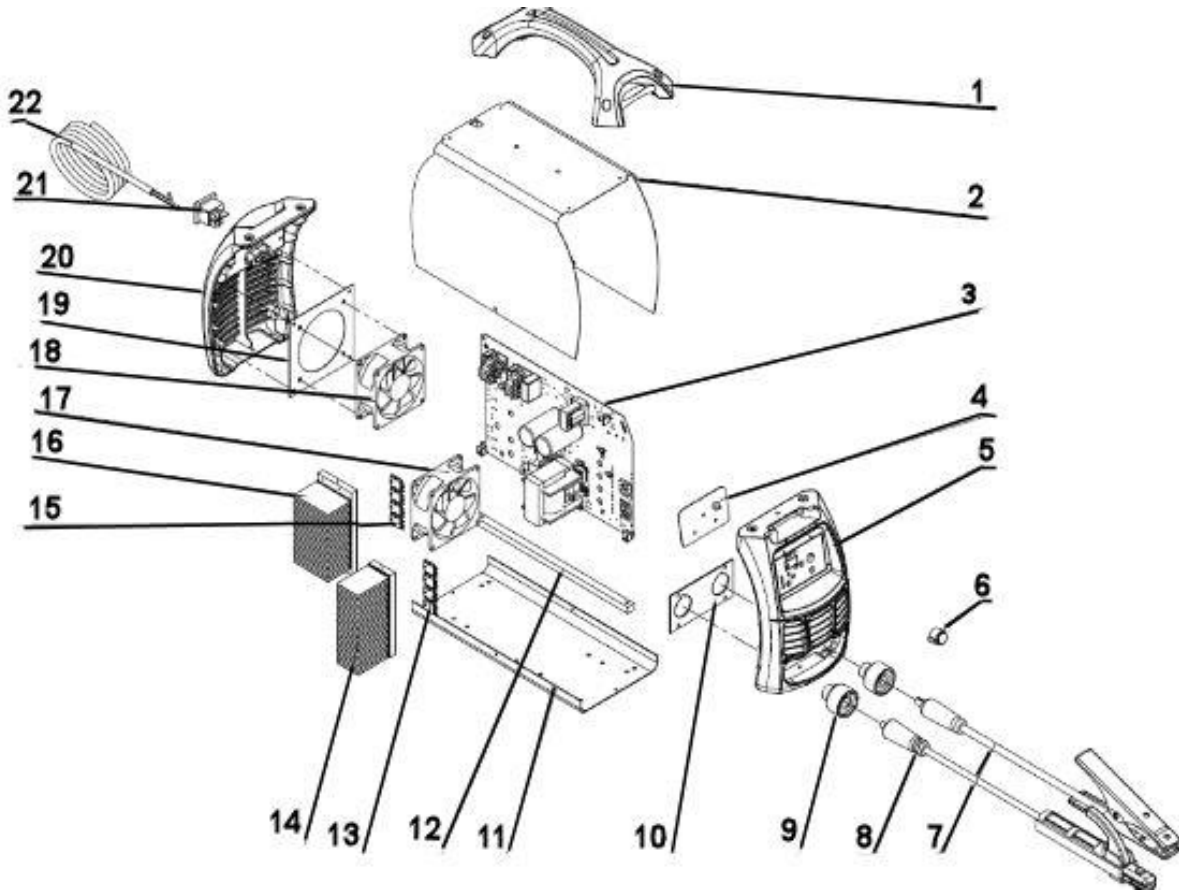
Date 30 April 2018

Name Steve Buckle.

Position Marketing Director.

Place: Bury St Edmunds

Sealey Group, Kempson Way, Suffolk Business Park, Bury St Edmunds, Suffolk. IP32 7AR
01284 757500 01284 703534 sales@sealey.co.uk www.sealey.co.uk



Item	Part No.	Description
1	MW200A.V2-01	TOP HANDLE
2	MW200A.V2-02	TOP COVER
3	MW200A.V2-03	MAIN PCB
4	MW200A.V2-04	CONTROL PCB
5	MW200A.V2-05	FRONT PLASTIC PANEL
6	INVMIG200V223	POTENTIOMETER KNOB
7	MW200A.V2-07	CABLE & EARTH CLAMP
8	MW200A.V2-08	CABLE & ELECTRODE HOLDER
9	PMIG3530.25	QUICK SOCKET 'EURO TYPE'
10	MW200A.V2-10	SUPPORT PLATE
11	MW200A.V2-11	BOTTOM PANEL

Item	Part No.	Description
12	MW200A.V2-12	SUPPORT BAR
13	MW200A.V2-13	FAST RECOVERY DIODE
14	MW200A.V2-14	INVERTER
15	MW200A.V2-15	IGBT
16	MW200A.V2-16	IGBT KIT
17	MW200A.V2-17	FAN (A)
18	MW200A.V2-18	FAN (B)
19	MW200A.V2-19	FAN SUPPORT (B)
20	MW200A.V2-20	REAR PLASTIC PANEL
21	M/MIG150.18	SWITCH
22	MW200A.V2-22	POWER CORD

NOTE: It is our policy to continually improve products and as such we reserve the right to alter data, specifications and component parts without prior notice.

IMPORTANT: No liability is accepted for incorrect use of product.

WARRANTY: Guarantee is 12 months from purchase date, proof of which will be required for any claim.