

Thank you for purchasing a Sealey product. Manufactured to a high standard this product will, if used according to these instructions and properly maintained, give you years of trouble free performance.



IMPORTANT: PLEASE READ THESE INSTRUCTIONS CAREFULLY. NOTE THE SAFE OPERATIONAL REQUIREMENTS, WARNINGS & CAUTIONS. USE THE PRODUCT CORRECTLY AND WITH CARE FOR THE PURPOSE FOR WHICH IT IS INTENDED. FAILURE TO DO SO MAY CAUSE DAMAGE OR PERSONAL INJURY AND WILL INVALIDATE THE WARRANTY. PLEASE KEEP INSTRUCTIONS SAFE FOR FUTURE USE.

1. SAFETY INSTRUCTIONS

1.1. ELECTRICAL SAFETY.

WARNING! It is the user's responsibility to read, understand and comply with the following:

You must check all electrical equipment and appliances to ensure they are safe before using. You must inspect power supply leads, plugs and all electrical connections for wear and damage. You must ensure the risk of electric shock is minimised by the installation of appropriate safety devices. An RCCB (Residual Current Circuit Breaker) should be incorporated in the main distribution board. We also recommend that an RCD (Residual Current Device) is used with all electrical products. It is particularly important to use an RCD with portable products that are plugged into an electrical supply not protected by an RCCB. If in doubt consult a qualified electrician. You may obtain a Residual Current Device by contacting your Sealey dealer. **You must** also read and understand the following instructions concerning electrical safety.

1.1.1. The **Electricity At Work Act 1989** requires all portable electrical appliances, if used on business premises, to be tested by a qualified electrician, using a Portable Appliance Tester (PAT), at least once a year.

1.1.2. The **Health & Safety at Work Act 1974** makes owners of electrical appliances responsible for the safe condition of the appliance and the safety of the appliance operator. **If in any doubt about electrical safety, contact a qualified electrician.**

1.1.3. Ensure the insulation on all cables and the product itself is safe before connecting to the mains power supply. See 1.1.1. & 1.1.2. above and use a Portable Appliance Tester (PAT).

1.1.4. Ensure that cables are always protected against short circuit and overload.

1.1.5. Regularly inspect power supply, leads, plugs for wear and damage and all electrical connections to ensure that none is loose.

1.1.6. **Important:** Ensure the voltage marked on the product is the same as the electrical power supply to be used and check that plugs are fitted with the correct capacity fuse. A 13 amp plug may require a fuse smaller than 13 amps for certain products (*subject to 1.1.10. below*), see fuse rating at right.

1.1.7. DO NOT pull or carry the powered appliance by its power supply lead.

1.1.8. DO NOT pull power plugs from sockets by the power cable.

1.1.9. DO NOT use worn or damaged leads, plugs or connections. Immediately replace or have repaired by a qualified electrician. A U.K. 3 pin plug with ASTA/BS approval is fitted. In case of damage, cut off and fit a new plug according to the following instructions (discard old plug safely).

(UK only - see diagram at right). **Ensure the unit is correctly earthed via a three-pin plug.**

a) **Connect the GREEN/YELLOW earth wire to the earth terminal 'E'.**

b) **Connect the BROWN live wire to live terminal 'L'.**

c) **Connect the BLUE neutral wire to the neutral terminal 'N'.**

After wiring, check there are no bare wires, that all wires have been correctly connected, that cable outer insulation extends beyond the cable restraint and that the restraint is tight.

Double insulated products are often fitted with live (BROWN) and neutral (BLUE) wires only. Double insulated products are always marked with this symbol . **To re-wire, connect the brown & blue wires as indicated above. DO NOT connect the brown or blue to the earth terminal.**

1.1.10. **Cable extension reels.** When a cable extension reel is used it should be fully unwound before connection. A cable reel with an RCD fitted is recommended since any product which is plugged into the cable reel will be protected. The section of the cores of the cable is important. We suggest 1.5mm² section as a minimum but to be absolutely sure that the capacity of the cable reel is suitable for this product and for others that may be used in the other output sockets, we recommend the use of 2.5mm² section cable.

1.2 GENERAL SAFETY

WARNING! Ensure Health & Safety, local authority, and general workshop practice regulations are adhered to when using this equipment.

✓ Familiarise yourself with the application and limitations of the product, as well as the specific potential hazards peculiar to the polisher.

□ **WARNING!** Disconnect from the mains power and ensure the backing pad is at a complete standstill before changing accessories, servicing or performing any maintenance.

✓ Maintain the polisher in good condition (use an authorised service agent).

✓ Replace or repair damaged parts. *Use genuine parts only. Non-authorised parts may be dangerous and will invalidate the warranty.*

□ **WARNING!** Keep all guards and holding screws in place, tight and in good working order. Check regularly for damaged parts. A guard or any other part that is damaged must be repaired/replaced before the tool is next used.

✓ Locate polisher in a suitable working area, keep area clean and tidy and free from unrelated materials. Ensure there is adequate lighting.

✓ Keep the polisher clean for best and safest performance.

✓ Before each use check condition of backing pad and polishing head.

If worn or damaged replace immediately.

✓ Ensure there are no flammable or combustible materials near the work area.

□ **WARNING!** Wear approved eye safety protection, ear defenders and, if dust is generated, respiratory protection.

✓ Maintain correct balance and footing. Ensure the floor is not slippery and wear non-slip shoes.

✓ Remove ill fitting clothing. Remove ties, watches, rings, and other loose jewellery, and contain and/ or tie back long hair.

✓ Keep children and unauthorised persons away from the working area.

✓ Secure non-stable work piece with a clamp, vice or other adequate holding device.

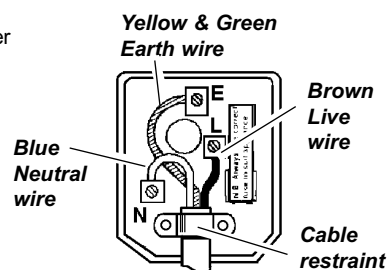
✓ Remove adjusting keys and wrenches from the machine and its vicinity before turning it on.

x **DO NOT** use polisher for any purpose other than that for which it is designed.

x **DO NOT** operate the polisher if any parts are damaged or missing as this may cause failure and/or possible personal injury.

□ **WARNING! DO NOT** sand any materials containing asbestos.

x **DO NOT** switch the polisher on whilst the head is in contact with the work piece and avoid unintentional starting.



FUSE RATING

THIS PRODUCT MUST BE FITTED WITH A

13 AMP FUSE



- x **DO NOT** get the polisher wet or use in damp or wet locations or areas where there is condensation.
- x **DO NOT** allow untrained persons to operate the polisher/sander.
- x **DO NOT** operate the polisher when you are tired, under the influence of alcohol, drugs or intoxicating medication.
- x **DO NOT** use the polisher where there are flammable liquids, solids or gases such as paint solvents, etc.
- x **DO NOT** leave the polisher operating unattended.
- x **DO NOT** carry the polisher with your finger on the power switch.
- x **DO NOT** pull the cord to remove the plug from the power supply.
- ✓ Use a qualified person to lubricate and maintain the polisher.
- ✓ When not in use unplug from the mains power supply and store in a safe, dry, childproof area.

LEAD PAINT WARNING! Paint once contained lead as a traditional ingredient. Contact with the dust from the removal of such paint is toxic and must therefore be avoided. The following action must be taken before sanding lead based paint:

1. User must determine potential hazard relating to age of paint to be removed. (Modern paints do not have lead content).
2. **DANGER!** Keep all persons and pets away from the working area. The following are particularly vulnerable to the effects of lead paint dust: **Expectant women, babies and children.**
3. We recommend personal protection by using the following safety items:
A) Paint Spray Respirator (Sealey ref. SSP16EN) B) PE Coated Hooded Coverall (Sealey ref. SSP266). C) Latex Gloves (Sealey ref. SSP24).
4. Take adequate measures to contain paint dust, flakes and scrapings. Wear safety equipment, as in (3) above, and thoroughly clean all areas when task is complete.
5. Ensure the paint waste is disposed of in sealed bags or containers according to local regulations.

2. INTRODUCTION

The MS1800P Heavy Duty Polisher is a single speed unit which operates at 1800rpm. The unit is designed for trade use delivering up to 1010Watts of power under normal forearm pressure. The unit has a heavy duty motor, alloy bevel gear head with a composite motor housing and a trigger type operation with power lock control.

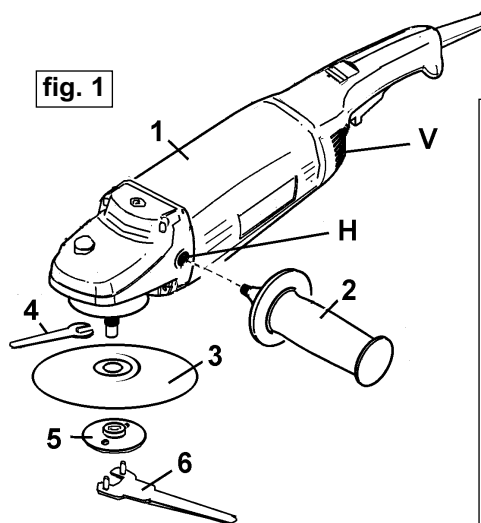
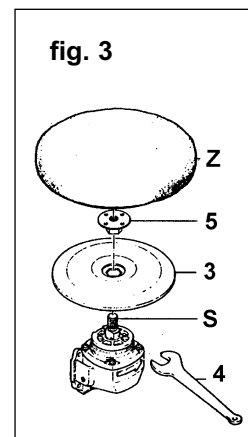


fig. 2



3. TECHNICAL SPECIFICATIONS

| Model | MS1800P |
|---------------------|------------|
| Pad Size (mm) | 180 |
| Thread Size | M14 |
| Motor | 1010W/230V |
| No Load Speed (rpm) | 1800 |
| Weight (kg) | 4.0 |

4. CONTENT & ASSEMBLY

4.1. CONTENT.

- 4.1.1. Check the contents of the carton. If any item is missing or damaged contact your supplier immediately.
Fig1. 1. Polisher Unit, 2 Side Handle, 3 Pad, 4 Spanner, 5 Flange Nut, 6 Two-pin Spanner.

4.2. ASSEMBLY. □ **WARNING!** Ensure unit is not plugged into mains before attempting any assembly.

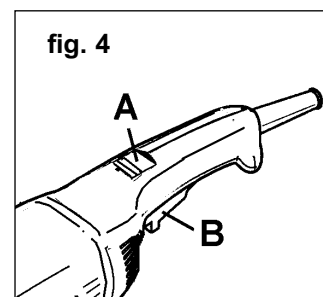
- 4.2.1. Screw side handle (fig.1.2) into hole (H). Note: there is a mounting hole on either side to suit the application and/or operator.
- 4.2.2. **To fit a polishing bonnet:** Fit rubber pad (fig 3.3) on shaft (S), and retain with flange nut (5). Tighten/loosen flange nut with two-pin spanner (fig 2.6) by holding shaft (S) steady with spanner (4). Neatly fit the polishing bonnet (Z) over the secured rubber pad.
- 4.2.2. **To fit a compounding head:** Remove flange nut and rubber pad if fitted. The compounding head should have an M14 internal thread which will screw directly onto the polisher's threaded shaft. (Be sure to choose the correct density head for your application. Contact your local Sealey dealer for a wide selection of heads.)

5. OPERATION

- **WARNING!** Ensure you read, understand and apply the safety instructions in Section 1. **Ensure the power control switch (fig 4.B) is NOT locked on before plugging into the mains.**

- 5.1.1. Hold the polisher firmly with one hand on the butt grip and the other on the side handle.
- 5.1.2. To start polisher press and hold down safety button (fig.4.A) and then squeeze control switch (B).
- 5.1.3. Releasing control switch (B) before releasing safety button (A) will result in control switch being latched in the 'On' position. To switch polisher off, squeeze and immediately release control switch (B).

Contact your Sealey Dealer for details of compound heads and lambswool bonnets.



6. MAINTENANCE

- **WARNING!** Before attempting any maintenance ensure the unit is unplugged from the mains power supply.

- 6.1. Keep the machine clean and dry. Do not use abrasives to clean the unit. Ensure all external head screws are tight.
- 6.2. Clean regularly by blowing a jet of compressed air through side vents (figs.1.V) to ensure motor ventilation is kept clear.

- **WARNING!** Wear approved safety eye protection and, if necessary, respiratory protection.

The following maintenance must only be carried out by a technically qualified person or an authorised Sealey service agent.

- 6.3. Check carbon brushes by removing each side panel. Check to see if the brushes are worn more than half of their original length or if cracked. If so, the brush must be replaced to avoid sparking and damage to the armature. Use only genuine spare parts as these are specifically designed for the machine. Failure to do so may be dangerous and will invalidate your warranty.
- 6.4. After each 500 hours of use replace the gear head grease to prevent gear wear and possible drive failure.