



TWO ARM CENTRE STAND

MODEL NO: **MPS2.V2**

Thank you for purchasing a Sealey product. Manufactured to a high standard, this product will, if used according to these instructions, and properly maintained, give you years of trouble free performance.

IMPORTANT: PLEASE READ THESE INSTRUCTIONS CAREFULLY. NOTE THE SAFE OPERATIONAL REQUIREMENTS, WARNINGS & CAUTIONS. USE THE PRODUCT CORRECTLY AND WITH CARE FOR THE PURPOSE FOR WHICH IT IS INTENDED. FAILURE TO DO SO MAY CAUSE DAMAGE AND/OR PERSONAL INJURY AND WILL INVALIDATE THE WARRANTY. KEEP THESE INSTRUCTIONS SAFE FOR FUTURE USE.



Refer to instructions



Wear protective gloves



Wear safety footwear



Warning:
Crushing of
Hands

1. SAFETY

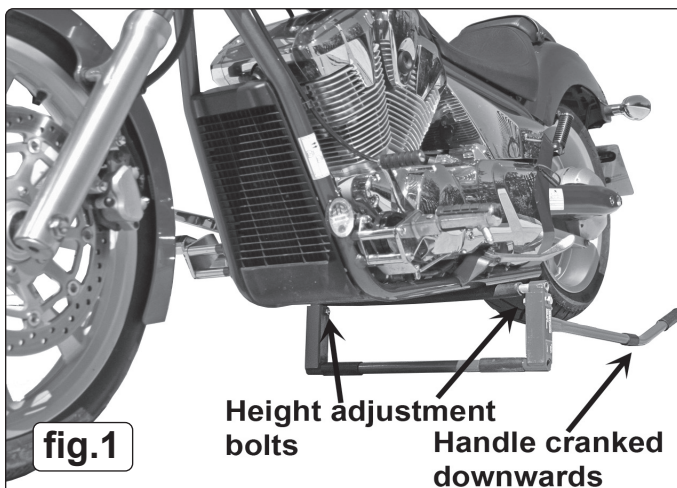
- * **DO NOT** sit on the motorcycle on the stand.
- * **DO NOT** start the motorcycle on the stand.
- * **DO NOT** mount the stand on tarmac/adam, as the surface may be unstable.
- * **DO NOT** use the stand for a purpose it is not designed to perform.
- * **DO NOT** use the stand when you are tired or under the influence of alcohol, drugs or intoxicating medication.
- * **DO NOT** allow untrained persons to operate the stand.
- * **DO NOT** make any modifications to the stand.
- * **DO NOT** operate the stand if parts are missing or damaged.
- ✓ Maintain the stand in a good clean condition for the best and safest performance.
- ✓ Locate the stand and motorcycle in a suitable area. Keep area clean, tidy and free from unrelated materials and ensure that there is adequate lighting. Also ensure that the floor/ground is level and strong enough (preferably concrete) to take the weight of the stand and the motorcycle.
- ✓ Maintain correct balance and footing whilst positioning the motorcycle on the stand, do not over reach.
- ✓ Ensure that the floor is not slippery, wear non-slip footwear.
- ✓ Keep children and unauthorised persons away from the work area.
- ✓ Always support the motorcycle to prevent falling sideways (stabiliser).
- ✓ Before removing a motorcycle from the stand, ensure that there are no obstructions or persons around the motorcycle.
- ✓ When not in use, store in a safe, dry, childproof location.

2. INTRODUCTION

Quickly and safely lifts and stabilises front or back of a motorcycle with a traditional style double cradle frame design that has no engine, transmission or exhaust protrusions. Features height adjustment and soft PVC sheath for protection to underside of bike. Design of stand allows easy wheel maintenance and removal of front or rear wheel. Stand capacity of 200kg.

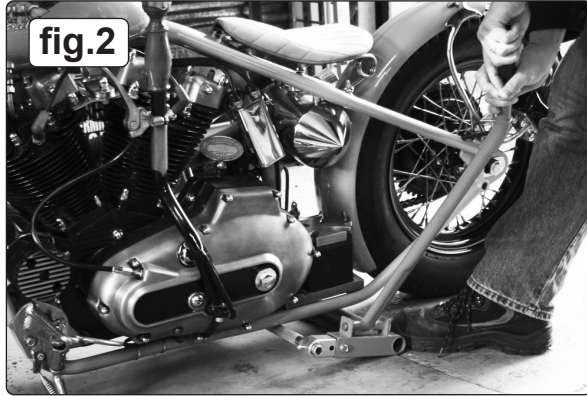
3. SPECIFICATION

Model No.: MPS2.V2
Minimum / Maximum Height: 200 / 275mm



4. OPERATION

- 4.1. Visually inspect and measure the motorcycle to be lifted. Check that there is nothing underneath that will be damaged when it is lifted up.
- 4.2. Assemble the handle, ensure that it is cranked downwards (fig.1).
- 4.3. Adjust the lifting bar height to suit the motorbike by removing the adjustment bolts (fig.1) then setting the bar height and replacing the bolts.
- 4.4. Position the motorcycle alongside the centre stand and slide it underneath.
- 4.5. Whilst holding the handlebars, push down on the centre stand handle to bring the stand upright, see fig.2. Push the handle down to the floor to bring the stand to its over centre position, see fig.3



5. MAINTENANCE

- 5.1. Before each use, check all parts. If any part of the stand is damaged or defective, remove it from service and take the necessary action to remedy the problem.
- 5.2. Keep the stand clean and wipe off any oil or grease.
- 5.3. When the stand is not in use, store it in a safe, dry, childproof location.



ENVIRONMENT PROTECTION

Recycle unwanted materials instead of disposing of them as waste. All tools, accessories and packaging should be sorted, taken to a recycling centre and disposed of in a manner which is compatible with the environment. When the product becomes completely unserviceable and requires disposal, drain any fluids (if applicable) into approved containers and dispose of the product and fluids according to local regulations.

Note: It is our policy to continually improve products and as such we reserve the right to alter data, specifications and component parts without prior notice. Please note that other versions of this product are available. If you require documentation for alternative versions, please email or call our technical team on technical@sealey.co.uk or 01284 757505.

Important: No Liability is accepted for incorrect use of this product.

Warranty: Guarantee is 12 months from purchase date, proof of which is required for any claim.

Sealey Group, Kempson Way, Suffolk Business Park, Bury St Edmunds, Suffolk. IP32 7AR



01284 757500



01284 703534



sales@sealey.co.uk



www.sealey.co.uk