

Thank you for purchasing a Sealey product. Manufactured to a high standard this product will, if used according to these instructions and properly maintained, give you years of trouble free performance.



IMPORTANT: PLEASE READ THESE INSTRUCTIONS CAREFULLY. NOTE THE SAFE OPERATIONAL REQUIREMENTS, WARNINGS, AND CAUTIONS. USE THIS PRODUCT CORRECTLY, AND WITH CARE FOR THE PURPOSE FOR WHICH IT IS INTENDED. FAILURE TO DO SO MAY CAUSE DAMAGE, AND/OR PERSONAL INJURY, AND WILL INVALIDATE THE WARRANTY.

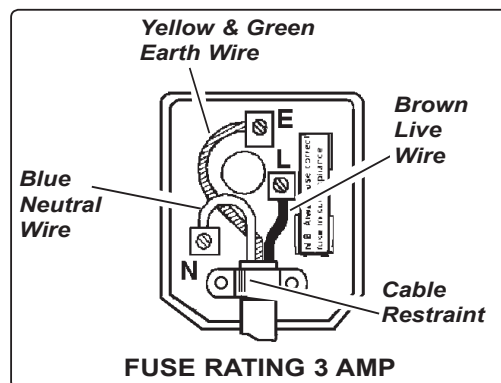
1. SAFETY INSTRUCTIONS

1.1. ELECTRICAL SAFETY ML60GP LEADLAMP 60W/230V

WARNING! It is the responsibility of the owner and the operator to read, understand and comply with the following:

You must check all electrical products, before use, to ensure that they are safe. You must inspect power cables, plugs, sockets and any other connectors for wear or damage. You must ensure that the risk of electric shock is minimised by the installation of appropriate safety devices. A Residual Current Circuit Breaker (RCCB) should be incorporated in the main distribution board. We also recommend that a Residual Current Device (RCD) is used. It is particularly important to use an RCD with portable products that are plugged into a supply which is not protected by an RCCB. If in any doubt consult a qualified electrician. You may obtain a Residual Current Device by contacting your Sealey dealer. You must also read and understand the following instructions concerning electrical safety.

- 1.1.1. The Electricity at Work Act 1989 requires that all portable electrical appliances, if used on business premises, are tested by a qualified electrician, using a Portable Appliance Tester (PAT), at least once a year.
- 1.1.2. The Health & Safety at Work Act 1974 makes owners of electrical appliances responsible for the safe condition of those appliances and the safety of the appliance operators. If in any doubt about electrical safety, contact a qualified electrician.
- 1.1.3. Ensure that the insulation on all cables and on the appliance is safe before connecting it to the power supply. See 1.1.1. and 1.1.2. and use a Portable Appliance Tester.
- 1.1.4. Ensure that cables are always protected against short circuit and overload.
- 1.1.5. Regularly inspect power supply cables and plugs for wear or damage and check all connections to ensure that none are loose.
- 1.1.6. Important: Ensure that the voltage marked on the appliance matches the power supply to be used and that the plug is fitted with the correct fuse - see fuse rating at right.
- 1.1.7. DO NOT pull or carry the appliance by the power cable.
- 1.1.8. DO NOT pull the plug from the socket by the cable.
- 1.1.9. DO NOT use worn or damaged cables, plugs or connectors. Immediately have any faulty item repaired or replaced by a qualified electrician. When a BS 1363/A UK 3 pin plug is damaged, cut the cable just above the plug and dispose of the plug safely.



Fit a new plug according to the following instructions (UK only).

- a) Connect the GREEN/YELLOW earth wire to the earth terminal 'E'.
- b) Connect the BROWN live wire to the live terminal 'L'.
- c) Connect the BLUE neutral wire to the neutral terminal 'N'.

d) After wiring, check that there are no bare wires, that all wires have been correctly connected, that the cable outer insulation extends beyond the cable restraint and that the restraint is tight.

Double insulated products, which are always marked with this symbol , are fitted with live (brown) and neutral (blue) wires only. To rewire, connect the wires as indicated above - DO NOT connect either wire to the earth terminal.

- 1.1.10. Products which require more than 13 amps are supplied without a plug. In this case you must contact a qualified electrician to ensure that a suitably rated supply is available. We recommend that you discuss the installation of an industrial round pin plug and socket with your electrician.
- 1.1.11. If an extension reel is used it should be fully unwound before connection. A reel with an RCD fitted is preferred since any appliance plugged into it will be protected. The cable core section is important and should be at least 1.5mm², but to be absolutely sure that the capacity of the reel is suitable for this product and for others which may be used in the other output sockets, we recommend the use of 2.5mm² section cable.

1.2. ELECTRICAL SAFETY ML6012GP LEADLAMP 60W/12V

WARNING! Disconnect lamp from the power source before changing bulbs, servicing or performing any maintenance.

- 1.2.1. Ensure the voltage of the power source is suitable for the lamp.
- 1.2.2. The lamp has dual connection feature for use in cigarette lighter socket or connection to a battery, isolate the connectors that are not in use to avoid shorting, as follows: If connected to lighter socket isolate clamps by placing each battery clamp in separate holster supplied, if connected to battery isolate cigarette plug by placing in supplied holster.
- 1.2.3. To avoid short-circuit and possible flesh burns, remove personal metallic items such as rings, bracelets, necklaces and watches before connecting the lamp to a battery.
- 1.2.4. Connect lamp power lead to battery with the RED clamp (+) positive to the battery positive terminal, and BLACK clamp (-) negative to negative terminal.
- 1.2.5. If the connecting battery terminals are corroded or dirty, clean them before attaching the lamp clamps in order to achieve good contact.

WARNING! DO NOT attempt to connect a 12 Volt lamp to any mains power supply.

- 1.2.6. DO NOT cross connect the power leads when connecting to a battery.
- 1.2.7. DO NOT pull the power cables or clamps from the battery terminals. Remove by pressing the clamp release spring.
- 1.2.8. DO NOT touch the bulb when operating, allow to cool before servicing.

1.3. GENERAL SAFETY

WARNING! Disconnect lamp from mains power before changing bulb or performing any maintenance.

- ✓ Replace or repair damaged parts. Use genuine Sealey parts only. Unauthorised parts may be dangerous and will invalidate the warranty.
- ✓ Maintain the lamp in good condition.
- x DO NOT use the lamp if damaged.
- x DO NOT use lamp close to paint fumes, solvents or other flammable liquids or flammable waste, such as wipes or cleaning rags.
- x DO NOT fit a bulb larger than 60 watts.
- ✓ When not in use switch off the lamp and disconnect from power supply.

- ✓ Remember that the bulb and mesh cover will be hot during and after use.
- ✓ Use gripper on secure, non-flammable supports only.
- ✓ If the lamp uses a clamp to hang it during use, ensure the object to which you clamp the spring-clip is suitable for the task.
- ✗ DO NOT allow children near the lamp.
- ✗ DO NOT use the lamp near flammable, combustible or explosive liquids, solids, gases or equipment.
- ✓ When not in use disconnect the lamp from the power source, ensure the unit is cool and dry then store in a safe, dry, childproof area.

2. INTRODUCTION

Incandescent lead lamp. Handle incorporates on/off switch and spring loaded gripper. Casing includes ball-mounted hook and hinged mesh cover which protects bulb and reflector.

3. OPERATING INSTRUCTIONS

ML60GP-60W/230V

3.1. BULB CHANGING.

☐ **WARNING! Disconnect the lamp from power source, allow lamp to cool before attempting to change the bulb.**

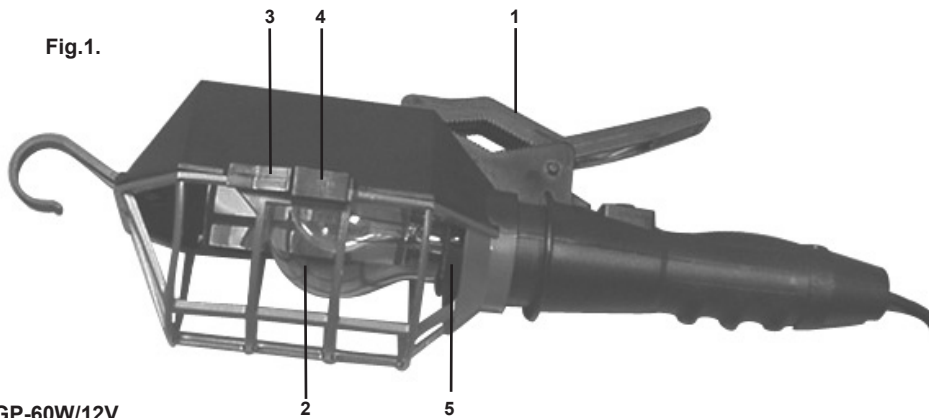
3.1.1. Bulb (fig.1.2). To gain access to the bulb, press the plastic tab (fig.1.3) inward and slide the lock (fig.1.4) upwards in order to release the mesh cover.

3.1.2. Remove the old bulb by pushing down into lampholder and rotate anti-clockwise. Hold the new bulb in a clean cloth, push down and rotate clockwise.

(Always use the correctly rated bulb).

3.1.3. GENERAL

Clean the lamp with a dry, dust-free cloth. **DO NOT** use solvents, or abrasives to clean the lamp.



3.2. ML6012GP-60W/12V.

Connect to a power supply as follows:

3.2.1. Vehicle cigarette lighter socket:

To avoid a short circuit, isolate each battery clamp (fig.2.1.) individually by placing into supplied holster (fig.2.2). Push lighter plug (fig.2.3) into the cigarette lighter socket, switch the rocker switch on the lamp body (fig.1.6) to 'ON'.

3.2.2. Connect to a 12V vehicle battery:

To avoid a short circuit, isolate the cigarette plug (fig.2.3) by placing it in the supplied holster (fig.2.4). Connect the RED clamp (+) positive to the battery positive terminal, and BLACK clamp (-) negative to negative battery terminal. Switch the rocker switch on the body to 'ON'.

4.1. BULB CHANGING.

☐ **WARNING! Disconnect the lamp from power source, allow lamp to cool before attempting to change the bulb.**

4.1.1. Bulb (fig.1.2). To gain access to the bulb, press the plastic tab (fig.1.3) inward and slide the lock (fig.1.4) upwards in order to release the mesh cover.

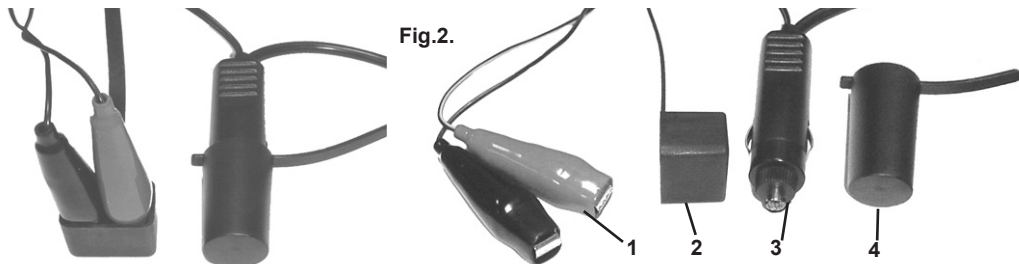
4.1.2. Remove the old bulb by un-screwing anti-clockwise. Hold the new bulb in a clean cloth and screw in clockwise. (Always use the correctly rated bulb).

4.1.3. GENERAL

Clean the lamp with a dry, dust-free cloth. **DO NOT** use solvents, or abrasives to clean the lamp.

ML60GP Spare bulb Part No: ML60GP/B 60W CLEAR BULB.

ML6012GP Spare bulb Part No: BS60 60W PEARL BULB.



NOTE: It is our policy to continually improve products and as such we reserve the right to alter data, specifications and component parts without prior notice.

IMPORTANT: No liability is accepted for incorrect use of this product.

WARRANTY: Guarantee is 12 months from purchase date, proof of which will be required for any claim.

INFORMATION: For a copy of our latest catalogue and promotions call us on 01284 757525 and leave your full name and address, including postcode.



Sole UK Distributor, Sealey Group,
Kempson Way, Suffolk Business Park,
Bury St. Edmunds, Suffolk,
IP32 7AR

☎ 01284 757500

🌐 www.sealey.co.uk

📠 01284 703534

✉ sales@sealey.co.uk