

# INSTRUCTIONS FOR: QUARTZ KANTAL ELEMENT DRYER MODEL: ML3099.V2

Thank you for purchasing a Sealey product. Manufactured to a high standard this product will, if used according to these instructions and properly maintained, give you years of trouble free performance.

**IMPORTANT: PLEASE READ THESE INSTRUCTIONS CAREFULLY. NOTE THE SAFE OPERATIONAL REQUIREMENTS, WARNINGS & CAUTIONS. USE THE PRODUCT CORRECTLY AND WITH CARE FOR THE PURPOSE FOR WHICH IT IS INTENDED. FAILURE TO DO SO MAY CAUSE DAMAGE AND/OR PERSONAL INJURY AND WILL INVALIDATE THE WARRANTY. PLEASE KEEP INSTRUCTIONS SAFE FOR FUTURE USE.**

*The use of symbols in this document is to attract your attention to possible danger. The symbols and warnings themselves do not eliminate any danger, nor are they substitutes for correct accident prevention measures.*

## 1. SAFETY INSTRUCTIONS

### 1.1. ELECTRICAL SAFETY

**WARNING!** It is the responsibility of the owner and the operator to read, understand and comply with the following:

You must check all electrical products, before use, to ensure that they are safe. You must inspect power cables, plugs, sockets and any other connectors for wear or damage. You must ensure that the risk of electric shock is minimised by the installation of appropriate safety devices. A Residual Current Circuit Breaker (RCCB) should be incorporated in the main distribution board. We also recommend that a Residual Current Device (RCD) is used. It is particularly important to use an RCD with portable products that are plugged into a supply which is not protected by an RCCB. If in any doubt consult a qualified electrician. You may obtain a Residual Current Device by contacting your Sealey dealer.

**You must** also read and understand the following instructions concerning electrical safety.

1.1.1. The **Electricity at Work Act 1989** requires all portable electrical appliances, if used on business premises, to be tested by a qualified electrician, using a Portable Appliance Tester (PAT), at least once a year.

1.1.2. The **Health & Safety at Work Act 1974** makes owners of electrical appliances responsible for the safe condition of those appliances and the safety of the appliance operators. **If in any doubt about electrical safety, contact a qualified electrician.**

1.1.3. Ensure that the insulation on all cables and on the appliance is safe before connecting it to the power supply. See 1.1.1. and 1.1.2. and use a Portable Appliance Tester.

1.1.4. Ensure that cables are always protected against short circuit and overload.

1.1.5. Regularly inspect power supply cables and plugs for wear or damage and check all connections to ensure that none is loose.

1.1.6. **Important:** Ensure that the voltage marked on the appliance matches the power supply to be used and that the plug is fitted with the correct fuse - see fuse rating at right.

1.1.7. **DO NOT** pull or carry the appliance by the power cable.

1.1.8. **DO NOT** pull the plug from the socket by the cable.


1.1.9. **DO NOT** use worn or damaged cables, plugs or connectors. Immediately have any faulty item repaired or replaced by a qualified electrician. When an ASTA/BS approved UK 3 pin plug is damaged, cut the cable just above the plug and **dispose of the plug safely**. Fit a new plug according to the following instructions (UK only).

a) Connect the **GREEN/YELLOW** earth wire to the earth terminal 'E'.

b) Connect the **BROWN** live wire to the live terminal 'L'.

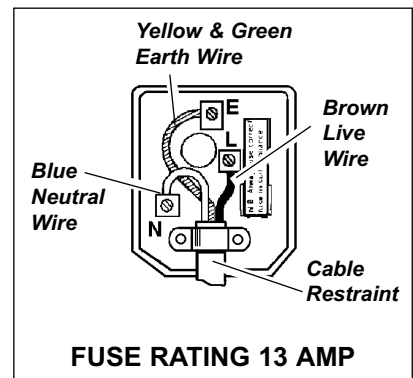
c) Connect the **BLUE** neutral wire to the neutral terminal 'N'.

d) **After wiring, check that there are no bare wires, that all wires have been correctly connected, that the cable outer insulation extends beyond the cable restraint and that the restraint is tight.**

Double insulated products, which are always marked with this symbol , are fitted with live (brown) and neutral (blue) wires only. To rewire, connect the wires as indicated above - **DO NOT** connect either wire to the earth terminal.

1.1.10. Products which require more than 13 amps are supplied without a plug. In this case you must contact a qualified electrician to ensure that a suitably rated supply is available. We recommend that you discuss the installation of an industrial round pin plug and socket with your electrician.

1.1.11. If an extension reel is used it should be fully unwound before connection. A reel with an RCD fitted is preferred since any appliance plugged into it will be protected. The cable core section is important and should be at least 1.5mm<sup>2</sup>, but to be absolutely sure that the capacity of the reel is suitable for this product and for others which may be used in the other output sockets, we recommend the use of 2.5mm<sup>2</sup> section cable. If extension reel is to be used outdoors, ensure it is marked for outdoor use.



### 1.2. GENERAL SAFETY

✓ Familiarise yourself with the application and limitations of the dryer.

✓ Ensure the dryer is in good order and condition before use. If in any doubt do not use the unit and contact an electrician.

✓ Only use recommended attachments and parts. To use non-recommended items may be dangerous and will invalidate your warranty.

✓ Use the dryer with post in the vertical position only and ensure it is placed on a firm, level floor.

✓ Check that heating head guards are in place, undamaged and firmly attached.

✓ Keep tools and other items away from the dryer when it is in use.

✓ Keep the work area clean and clear of unnecessary items.

✓ Keep children and unauthorised persons away from the work area.

✓ Remember that the heating heads will get hot, allow to cool after use.

x **DO NOT** dis-assemble the dryer for any reason. The dryer must be checked by qualified personnel only.

x **DO NOT** use the dryer outdoors, or in damp, or wet locations, and **DO NOT** operate within the vicinity of flammable liquids, gases or solids.

x **DO NOT** use this product to perform a task for which it is not designed.

□ **WARNING!** If a fuse blows, ensure it is replaced with an identical fuse type and rating.

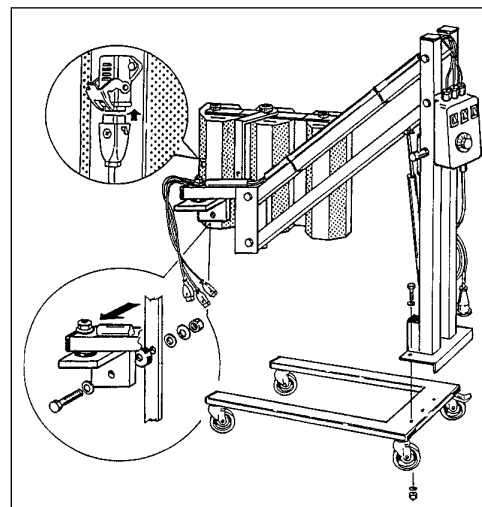
✓ When not in use, store the dryer carefully in a safe, dry, childproof location.

## 2. INTRODUCTION

The ML3099.V2 Quartz Kantal Element Dryer is fitted with three 230V/800W elements in three heads, giving a maximum output of 2.4kW. Elements are individually switched and the heating period is controlled by a timer which can be set for up to 30 minutes. One heating head is fully adjustable and has a tape measure attached to simplify positioning. The dryer is mounted on four castor wheels, one of which is lockable, for stability and ease of movement.

## 3. ASSEMBLY

- 3.1. Unpack the product and check contents against the list below. Also check that the product has an identification plate or label. If label or parts are damaged or missing contact your supplier immediately.
  - a) Three-head assembly
  - b) Base with castors
  - c) Support assembly
- 3.2. Attach upright of support assembly to base using bolts, washers and nuts provided.
- 3.3. Raise beam fully and attach base of strut to crosspiece on upright using screws provided.
- 3.4. Attach head assembly to beam using bolt, washers and nut provided.
- 3.5. Connect numbered electrical plugs to correspondingly numbered sockets on heads, and latch.



## 4. OPERATION

**WARNING! Ensure you read, understand and apply the safety instructions in Section 1 before using the dryer.**

- 4.1. Allow a 4 - 5 minute 'flash-off' period for excess solvent to evaporate before close positioning of lamp to panel - solvent boil or popping may occur if panel temperature is raised too rapidly. Remove, or otherwise protect any trim items on, or adjacent to, the panel to prevent possible distortion.
- 4.2. Position the heating heads parallel to the painted panel(s) using the angle and height adjustments, ensuring that all knobs have been firmly tightened when the desired position has been achieved.
- 4.3. Paint-to-lamp distance and heating time are dependent on a number of factors including paint type and workshop conditions and are best based on experience, however guidelines are as follows:

Paint	Time (min)	Distance (mm)
Filler	8	600
Primer/Undercoat	12 - 15	500 - 700
Topcoat	12 - 15	500 - 700

- 4.4. Set the required heating time on the timer, plug into the mains socket and switch on. Note that heating heads are individually switched. The green switch pilot lights are illuminated whilst the heaters are on.
- 4.5. When the heating period is over switch off at socket and then remove dryer plug.
- 4.6. Allow heating heads to cool before moving the dryer to a safe, dry, childproof storage area.

**Important: Excessive drying time will burn the paint and may distort panel.**

**Declaration of Conformity** We, the sole UK importer, declare that the product listed below is in conformity with the following standards and directives.

### QUARTZ KANTAL ELEMENT DRYER Model: ML3099.V2

73/23/EEC LV Directive  
89/336/EEC EMC Directive  
93/68/EEC CE Marking Directive



The construction file for this product is held by the Manufacturer and may be inspected, by a national authority, upon request to Jack Sealey Ltd.

Signed by Mark Sweetman

14th October 2002

For Jack Sealey Ltd. Sole UK importer of Sealey Power Products.

**NOTE:** It is our policy to continually improve products and as such we reserve the right to alter data, specifications and component parts without prior notice.

**IMPORTANT:** No liability is accepted for incorrect use of this equipment.

**WARRANTY:** Guarantee is 12 months from purchase date, proof of which will be required for any claim.

**INFORMATION:** For a copy of our latest catalogue and promotions call us on 01284 757525 and leave your full name and address, including postcode.



Sole UK Distributor,  
Sealey Group,  
Bury St. Edmunds, Suffolk.



01284 757500



01284 703534



sales@sealey.co.uk



www.sealey.co.uk