



ROTATING PANEL REPAIR STAND

MODEL NO: **MK79**

Thank you for purchasing a Sealey product. Manufactured to a high standard, this product will, if used according to these instructions, and properly maintained, give you years of trouble free performance.

IMPORTANT: PLEASE READ THESE INSTRUCTIONS CAREFULLY. NOTE THE SAFE OPERATIONAL REQUIREMENTS, WARNINGS & CAUTIONS. USE THE PRODUCT CORRECTLY AND WITH CARE FOR THE PURPOSE FOR WHICH IT IS INTENDED. FAILURE TO DO SO MAY CAUSE DAMAGE AND/OR PERSONAL INJURY AND WILL INVALIDATE THE WARRANTY. KEEP THESE INSTRUCTIONS SAFE FOR FUTURE USE.



Refer to instructions



Wear protective gloves



Wear protective footwear

1. SAFETY

- ✓ Only use on firm, level, unobstructed surfaces which are capable of supporting the stand and wheels.
- ✗ **DO NOT** overload.
- ✓ Always load evenly with the centre of gravity of the load as near the centre as possible.
- ✓ Apply the brakes before commencing work.
- ✗ **DO NOT** stand/ride on the stand, or allow others to do so.
- ✓ Replace or repair damaged parts. Use only recommended parts. Unauthorised parts may be dangerous and will invalidate the warranty.
- WARNING!** Failure to comply with these instructions may result in loss of load, damage to the stand or other property and/or personal injury.
- WARNING!** The warnings, cautions and instructions discussed in this instruction manual cannot cover all possible conditions and situations that may occur. It must be understood that common sense and caution are factors which cannot be built into this product, but must be applied by the operator.

2. INTRODUCTION

Compact design but handles the larger bonnets, tailgates etc. Ideal for doors, bonnets, bumpers, wings and spoilers. Fully adjustable, rotates full 180°. Adjustable and rotating bars make this stand suitable for almost all panel types. Portable for easy manoeuvring of application from preparation to spray booth.

3. SPECIFICATION

Model No.....**MK79**
 Base dimensions.....900 x 710mm
 Overall arm width..... 1550mm
 Max capacity..... 40kg

4. ASSEMBLY

Assemble panel stand according to the parts diagram attached.



ENVIRONMENT PROTECTION

Recycle unwanted materials instead of disposing of them as waste. All tools, accessories and packaging should be sorted, taken to a recycling centre and disposed of in a manner which is compatible with the environment. When the product becomes completely unserviceable and requires disposal, drain any fluids (if applicable) into approved containers and dispose of the product and fluids according to local regulations.

Note: It is our policy to continually improve products and as such we reserve the right to alter data, specifications and component parts without prior notice. Important: No Liability is accepted for incorrect use of this product.

Warranty: Guarantee is 12 months from purchase date, proof of which is required for any claim.

Sealey Group, Kempson Way, Suffolk Business Park, Bury St Edmunds, Suffolk. IP32 7AR



01284 757500



01284 703534



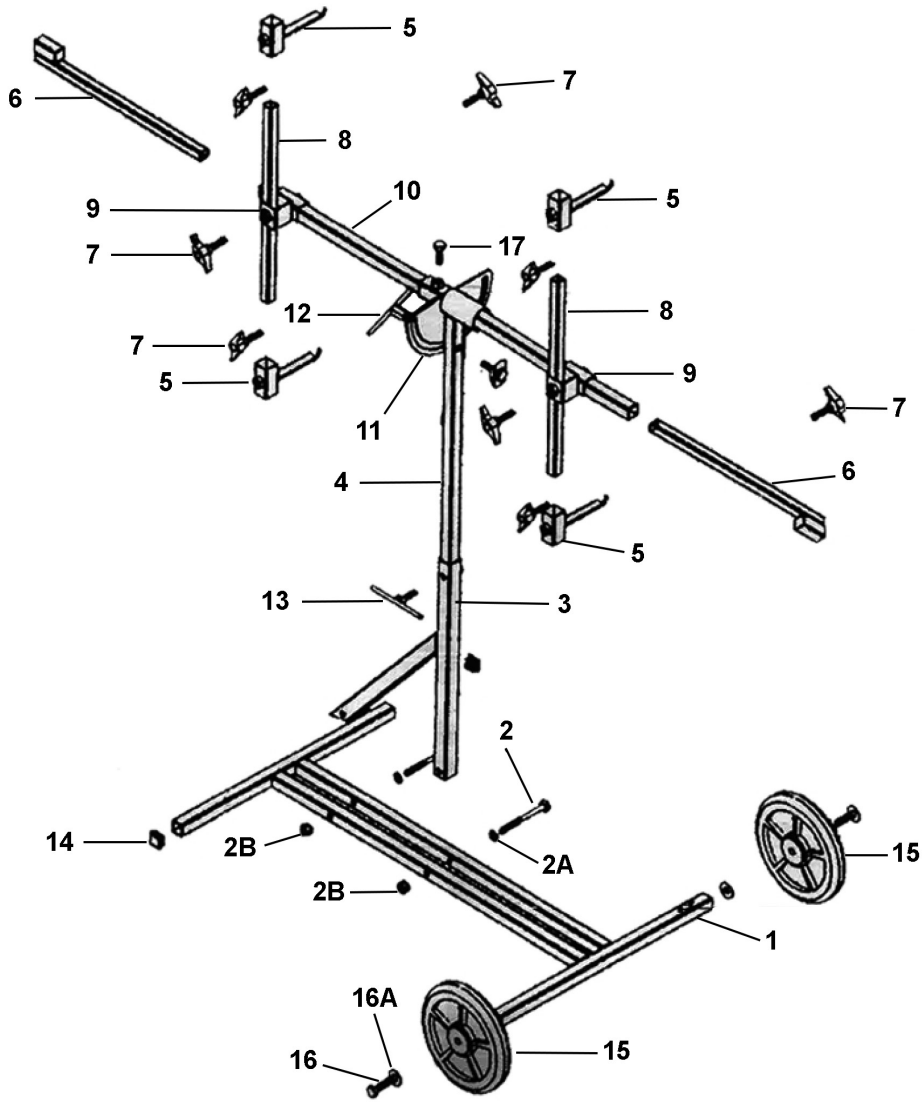
sales@sealey.co.uk



www.sealey.co.uk



Parts Information:
Rotating Panel Repair Stand
Model No: MK79



Item	Part No.	Description
1	MK79.01	Stand Base Assembly
2	HHB1095.S	Hex Head Bolt M10 x 95mm
2A	FWM10.S	Flat Washer M10 Zinc
2B	NLN10.S	Nyloc Nut M10 Zinc
3	MK79.03	Vertical Upright
4	MK79.04	Vertical Upright Extension
5	MK79.05	Hook Holder
6	MK79.06	Horizontal Extension
7	MK79.07	Butterfly Bolt
8	MK79.08	Vertical Bar

Item	Part No.	Description
9	MK79.09	Rotation Collar
10	MK79.10	Horizontal Bar Assembly
11	MK79.11	Dial
12	MK79.12	Clamp Handle for Dial
13	MK79.13	Height Adjustable Clamp Handle
14	MK79.14	Plastic Plug Bush
15	MK79.15	Fixed Wheel
16	SS1050.S	Hex Head Set Screw M10 X 50 Zinc
16A	FWM10.S	Flat Washer M10 Zinc
17	MK79.17	Fastening Bolt for Dial

NOTE: It is our policy to continually improve products and as such we reserve the right to alter data, specifications and component parts without prior notice. There may be alternative versions of this product, please contact us should you require this information.
IMPORTANT: No liability is accepted for incorrect use of product. Spare parts must be fitted by a competent person
WARRANTY: Guarantee is 12 months from purchase date, proof of which will be required for any claim.