



POLYMASK/MASKING PAPER DISPENSER 1 X 900MM ROLL

MODEL NO: **MK77**

Thank you for purchasing a Sealey product. Manufactured to a high standard, this product will, if used according to these instructions, and properly maintained, give you years of trouble free performance.

IMPORTANT: PLEASE READ THESE INSTRUCTIONS CAREFULLY. NOTE THE SAFE OPERATIONAL REQUIREMENTS, WARNINGS & CAUTIONS. USE THE PRODUCT CORRECTLY AND WITH CARE FOR THE PURPOSE FOR WHICH IT IS INTENDED. FAILURE TO DO SO MAY CAUSE DAMAGE AND/OR PERSONAL INJURY AND WILL INVALIDATE THE WARRANTY. KEEP THESE INSTRUCTIONS SAFE FOR FUTURE USE.



Refer to instructions

1. SAFETY

- ✓ Ensure the dispenser is on a reasonably flat, level floor before loading.
- ✓ Ensure that all fittings are tight and secure.
- ✗ **DO NOT** use the dispenser for any purpose other than that for which it is designed.

2. INTRODUCTION

Single roll dispenser accepts 900mm rolls and can be used either horizontally or vertically. Durable lightweight design with wheels for easy manoeuvrability.

3. SPECIFICATION

Roll size:900mm (roll width)
 Max Capacity:20kg (roll weight)

4. CONTENTS

- 1.....MK77.01 Side Frame (R/H) x1
- 2.....MK77.02 Side Frame (L/H) x1
- 3.....MK77.03 Base x1
- 4.....SS845.S Hex Head Set Screw M8 X 45 Zinc x9
- 5.....MK77.05 Cross Bar x1
- 6.....MK77.06 Wheel Axle x1
- 7.....FWM12.S Flat Washer M12 Zinc x4
- 8.....MK77.08 Fixed Wheel x2
- 9.....MK77.09 Snap Pin x2
- 10.....MK77.10 Brake Bar x2
- 11.....SN8.S Steel Nut M8 Zinc x5
- 12.....MK77.12 Spring x1
- 13.....MK77.13 Rubber Spacer x1
- 14.....SS850.S Hex Head Set Screw M8 X 50 Zinc x1
- 15.....FWM8.S Flat Washer M8 Zinc x1
- 16.....MK77.16 Tape Reel x1
- 17.....MK77.17 Bushing x1
- 18.....FWM8.S Flat Washer M8 Zinc x1
- 19.....MK77.19 Pivot Tube x1
- 20.....HHB870.S Hex Head Bolt M8 x 70mm x1

5. ASSEMBLY

(Refer to parts diagram overleaf)

NOTE: Before assembling, note the location of the “brake bar” (10) mounting holes in the base (3) in relation to the “cross bar” (5) and spring (12) mounting holes in the side frames (1,2).

- 5.1. Attach side frames (1,2) to base (3) with two M8 x 45 mm hex bolts (4). **DO NOT** tighten bolts.
- 5.2. Attach front “cross bar” (5) to lower set of holes in side frames with two M8 x 45 mm hex bolts (4). Tighten all bolts in base.
- 5.3. Slide “wheel axle” (6) through base and place two M12 flat washers on each end of the “wheel axle” (6).
- 5.4. Slide “fixed wheels” (8) on each end of the wheel axle.
- 5.5. Install the two “brake bars” (10) to base with M8 x 45 mm (4) as shown on the parts diagram.
- 5.6. Hook the springs (12), with the rubber spacer (13), into holes on each side frame.
- 5.7. Install the “tape reel” (16) to inside of both side frames as shown on the parts diagram.

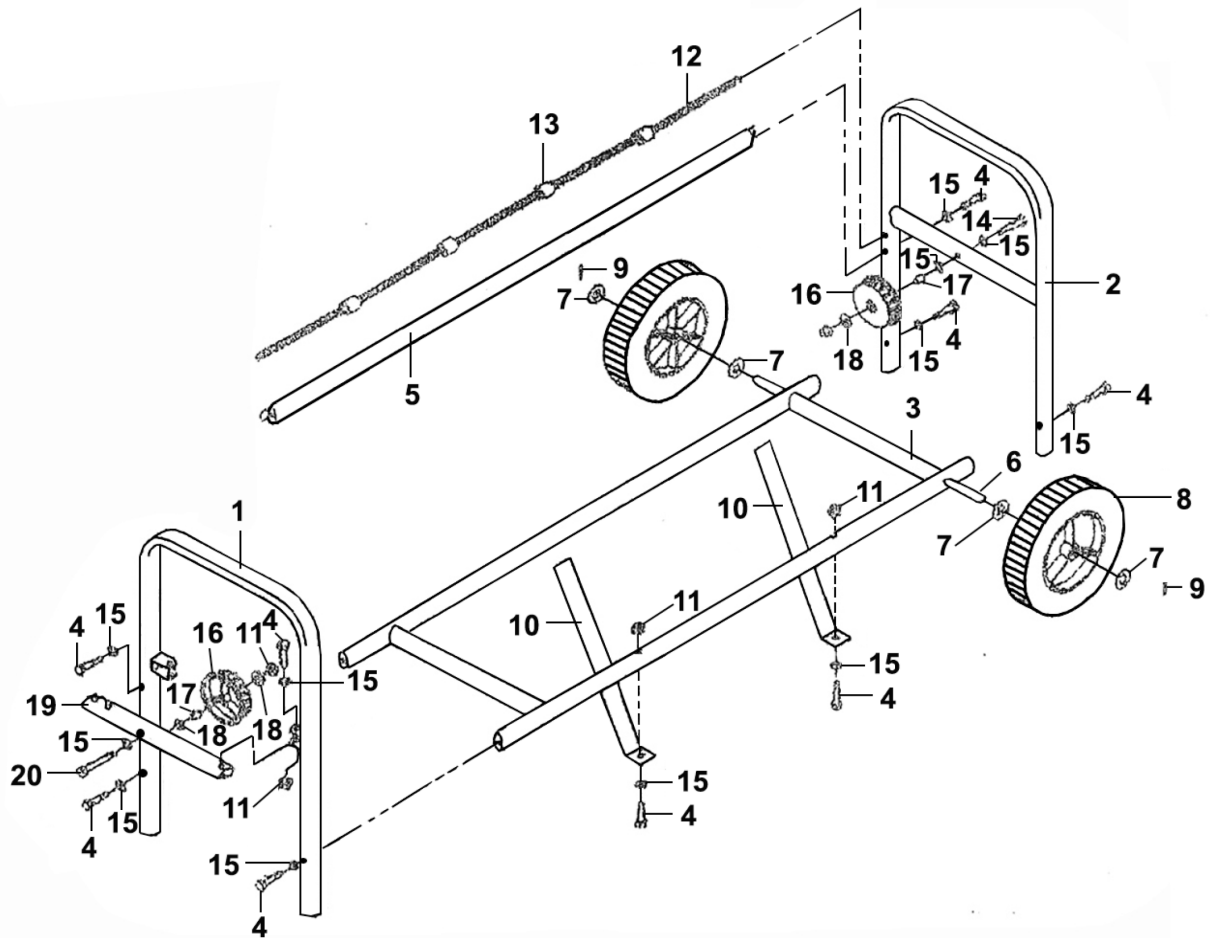
6. MAINTENANCE

- 6.1. If in constant use, check the tightness of all fixings on a weekly basis.





Parts Information:
**Polymask Dispenser 1400mm High -
 Ø150mm Wheels
 Model No: MK77**



Item	Part No.	Description
1	MK77.01	Side Frame (R/H)
2	MK77.02	Side Frame (L/H)
3	MK77.03	Base
4	SS845.S	Hex Head Set Screw M8 X 45 Zinc
5	MK77.05	Cross Bar
6	MK77.06	Wheel Axle
7	FWM12.S	Flat Washer M12 Zinc
8	MK77.08	Fixed Wheel
9	MK77.09	Snap Pin
10	MK77.10	Brake Bar

Item	Part No.	Description
11	SN8.S	Steel Nut M8 Zinc
12	MK77.12	Spring
13	MK77.13	Rubber Spacer
14	SS850.S	Hex Head Set Screw M8 X 50 Zin
15	FWM8.S	Flat Washer M8 Zinc
16	MK77.16	Tape Reel
17	MK77.17	Bushing
18	FWM8.S	Flat Washer M8 Zinc
19	MK77.19	Pivot Tube
20	HHB870.S	Hex Head Bolt M8 x 70mm



ENVIRONMENT PROTECTION

Recycle unwanted materials instead of disposing of them as waste. All tools, accessories and packaging should be sorted, taken to a recycling centre and disposed of in a manner which is compatible with the environment. When the product becomes completely unserviceable and requires disposal, drain any fluids (if applicable) into approved containers and dispose of the product and fluids according to local regulations.

Note: It is our policy to continually improve products and as such we reserve the right to alter data, specifications and component parts without prior notice.

Important: No Liability is accepted for incorrect use of this product.

Warranty: Guarantee is 12 months from purchase date, proof of which is required for any claim.

Sealey Group, Kempson Way, Suffolk Business Park, Bury St Edmunds, Suffolk. IP32 7AR



01284 757500



01284 703534



sales@sealey.co.uk



www.sealey.co.uk