



UNIVERSAL MOBILE ROTATING PANEL STAND

MODEL NO: **MK73**

Thank you for purchasing a Sealey product. Manufactured to a high standard, this product will, if used according to these instructions, and properly maintained, give you years of trouble free performance.

IMPORTANT: PLEASE READ THESE INSTRUCTIONS CAREFULLY. NOTE THE SAFE OPERATIONAL REQUIREMENTS, WARNINGS & CAUTIONS. USE THE PRODUCT CORRECTLY AND WITH CARE FOR THE PURPOSE FOR WHICH IT IS INTENDED. FAILURE TO DO SO MAY CAUSE DAMAGE AND/OR PERSONAL INJURY AND WILL INVALIDATE THE WARRANTY. KEEP THESE INSTRUCTIONS SAFE FOR FUTURE USE.



Refer to instruction manual



Wear protective gloves



Wear protective footwear



Wear protective clothing

1. SAFETY

- ✓ Only use on firm, level, unobstructed surfaces which are capable of supporting the stand.
- ✗ **DO NOT** overload.
- ✓ Always load the stand carefully to ensure maximum balance and stability.
- ✗ **DO NOT** stand/ride on the stand, or allow others to do so.
- ✓ Replace or repair damaged parts. Use only recommended parts. Unauthorised parts may be dangerous and will invalidate the warranty.
- ❑ **WARNING!** Failure to comply with these instructions may result in loss of load, damage to the stand or other property and/or personal injury.
- ❑ **WARNING!** The warnings, cautions and instructions discussed in this instruction manual cannot cover all possible conditions and situations that may occur. It must be understood that common sense and caution are factors which cannot be built into this product, but must be applied by the operator.

2. INTRODUCTION

Ideal for doors, bonnets, bumpers, wings and spoilers. Adjustable and rotating bars make this stand suitable for almost all panel types. Portable for easy manoeuvring of application from preparation to spray booth. Includes: S Hooks (x2), Spray Gun Holder, Vertical Supports with Fixed Hooks (x4), Supports with Holes (x2).



3. SPECIFICATION

Model No.:	MK73
Max. capacity	60kg
Overall length	1240mm
Short adjustable bar length	400mm
Long adjustable bar length	700mm
Height without bars	950mm

4. ASSEMBLY

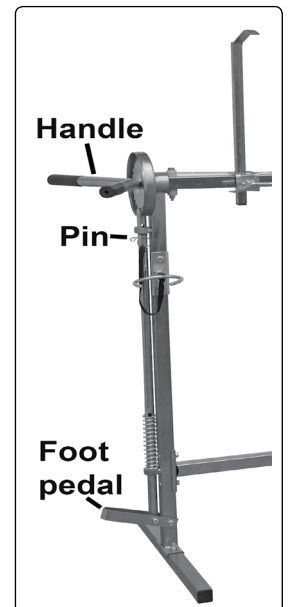
Refer to attached Parts Diagram

Note: It is advisable to seek assistance of another person whilst assembling.

- 4.1. Assemble frame first then attach extension frame for holding panels.
- 4.2. Assemble bottom frame (5) rear brace (4) front upright bar (11) and foot frame (28).
- 4.3. Assemble stand frame only parts (1 and 2) at this point.
- 4.4. Insert stand frame parts to parts (4 and 11) by attaching handle (10).
- 4.5. Attach wheels and other ancilliary parts shown on Parts Diagram.
- 4.6. Check all fixings for tightness.

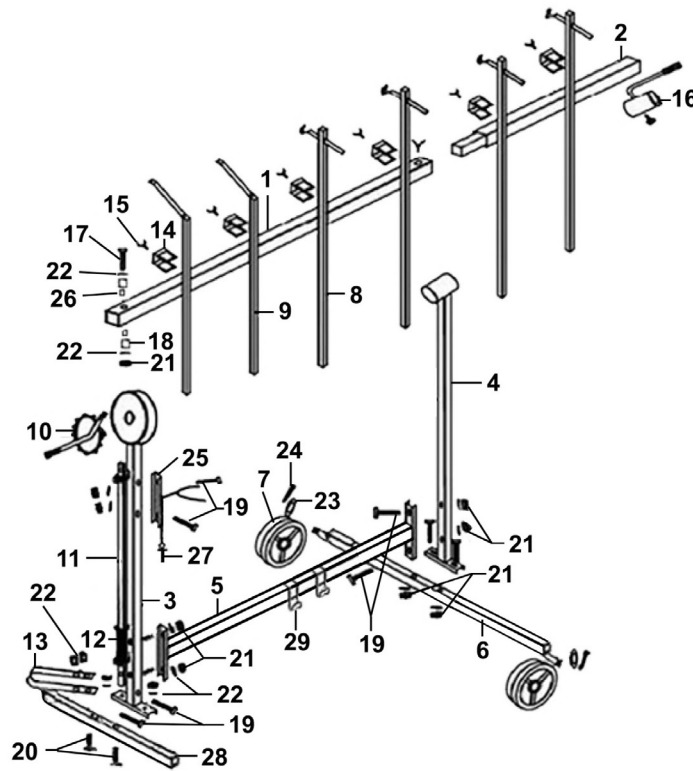
5. OPERATION

- 5.1. Before placing panels on the stand the pin needs to be inserted through the vertical locking bar and secured with its R pin. Check that the vertical bar has engaged with the cog.
- 5.2. Take the weight of the panel/s by holding the handle before attempting to remove the locking pin.
- 5.3. Rotate the panel stand by placing a foot on the pedal (with the pin removed.)
- 5.4. Ensure that the pin is reinserted before moving the panel stand.
- 5.5. Move by lifting the two handles.





Parts Information:
Universal Mobile Rotating Panel Stand
Model No: MK73



Item	Part No.	Description	Item	Part No.	Description
1	MK73.01	Stand Frame	16	MK73.16	End Handle (L-Shape)
2	MK73.02	Stand Extension Frame	17	HHB875.S	Hex Head Bolt M8 x 75mm
3	MK73.03	Front Brace	18	MK73.18	Plastic Bushing
4	MK73.04	Rear Brace	19	HHB845.S	Hex Head Bolt M8 x 45mm
5	MK73.05	Bottom Frame	20	SS1040.S	Hex Head Set Screw M10 X 40 Zinc
6	MK73.06	Wheel Frame	21	SN8.S	Steel Nut M8 Zinc
7	MK73.07	Fixed Wheel	22	FWM8.S	Flat Washer M8 Zinc
8	MK73.08	Arm	23	FWM16.S	Flat Washer M16 Zinc
9	MK73.09	Prop Arm	24	MK73.24	Cotter Pin
10	MK73.10	Locking Swivel Wheel	25	MK73.25	Fastening Cord
11	MK73.11	Front Upright Bar	26	MK73.26	Ring Washer
12	MK73.12	Front Spring	27	MK73.27	Front Bar Ring
13	MK73.13	Foot Pedal	28	MK73.28	Foot Frame
14	MK73.14	Support Buckle	29	MK73.29	Bottom Frame Hook
15	MK73.15	Securing Knob			

NOTE: It is our policy to continually improve products and as such we reserve the right to alter data, specifications and component parts without prior notice. There may be alternative versions of this product, please contact us should you require this information.

IMPORTANT: No liability is accepted for incorrect use of product. Spare parts must be fitted by a competent person

WARRANTY: Guarantee is 12 months from purchase date, proof of which will be required for any claim.



ENVIRONMENT PROTECTION

Recycle unwanted materials instead of disposing of them as waste. All tools, accessories and packaging should be sorted, taken to a recycling centre and disposed of in a manner which is compatible with the environment. When the product becomes completely unserviceable and requires disposal, drain any fluids (if applicable) into approved containers and dispose of the product and fluids according to local regulations.

Note: It is our policy to continually improve products and as such we reserve the right to alter data, specifications and component parts without prior notice. If you require documentation for alternative versions, please email or call our technical team on technical@sealey.co.uk or 01284 757505.

Important: No Liability is accepted for incorrect use of this product.

Warranty: Guarantee is 12 months from purchase date, proof of which is required for any claim.

Sealey Group, Kempson Way, Suffolk Business Park, Bury St Edmunds, Suffolk. IP32 7AR

01284 757500

01284 703534

sales@sealey.co.uk

www.sealey.co.uk