

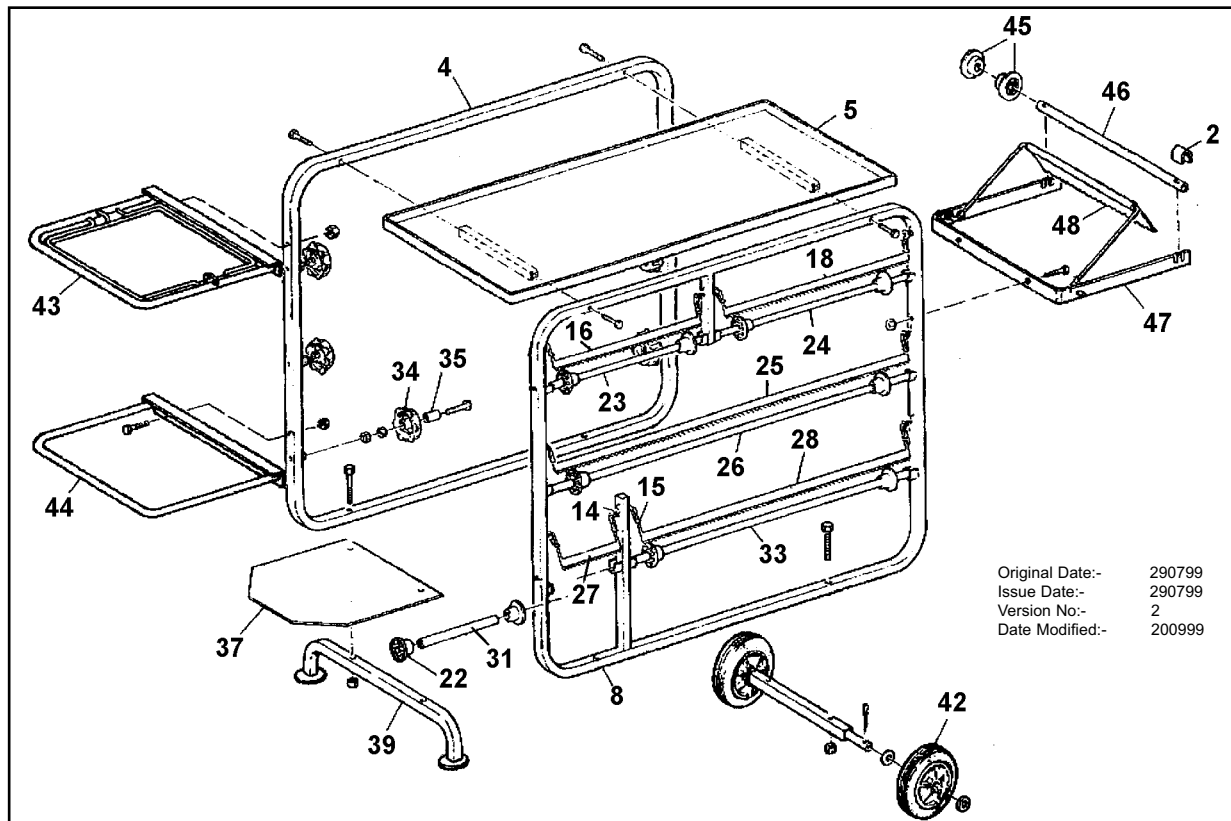
Thank you for purchasing a Sealey Product. Manufactured to a high standard this product will, if used according to these instructions and properly maintained, give you years of trouble free performance.



IMPORTANT: PLEASE READ THESE INSTRUCTIONS CAREFULLY. NOTE THE SAFE OPERATIONAL REQUIREMENTS, WARNINGS AND CAUTIONS. USE THIS PRODUCT CORRECTLY AND WITH CARE FOR THE PURPOSE FOR WHICH IT IS INTENDED. FAILURE TO DO SO MAY CAUSE DAMAGE OR PERSONAL INJURY AND WILL INVALIDATE THE WARRANTY. PLEASE KEEP INSTRUCTIONS SAFE FOR FUTURE USE.

MK68 PARTS LIST

ITEM	PART NO.	DESCRIPTION	ITEM	PART NO.	DESCRIPTION	ITEM	PART NO.	DESCRIPTION
2.	MK68/02	Retainer, bar	23.	MK68/23	Bar, paper	35.	MK68/35	Spacer
4.	MK68/04	Frame, rear	24.	MK68/24	Bar, paper	37.	MK68/37	Support, waste bag
5.	MK68/05	Tray, upper	25.	MK68/25	Blade	39.	MK68/39	Support, frame
8.	MK68/08	Frame, front	26.	MK68/26	Bar, paper	42.	MK68/42	Wheel
14.	MK68/14	Spring, right	27.	MK68/27	Blade	43.	MK68/43	Frame, waste bag
15.	MK68/15	Spring, left	28.	MK68/28	Blade	44.	MK68/44	Frame, waste bag
16.	MK68/16	Blade	31.	MK68/31	Bar, paper	45.	MK68/45	Roll Locator
18.	MK68/18	Blade	33.	MK68/33	Bar, paper	46.	MK68/46	Bar, paper
22.	MK68/22	Roll Locator	34.	MK68/34	Tape reel	47.	MK68/47	Frame
						48.	MK68/48	Blade



Original Date:- 290799
Issue Date:- 290799
Version No:- 2
Date Modified:- 200999

1. SAFETY INSTRUCTIONS

- 3 Ensure the dispenser is on a reasonably flat, level floor before loading.
- 3 Be aware that the paper cutting blades are sharp - handle with care.
- 7 DO NOT sit or climb on the dispenser.
- 7 DO NOT use the dispenser for any purpose other than that for which it was designed.

NOTE: It is our policy to continually improve products and as such we reserve the right to alter data, specifications and component parts without prior notice.

IMPORTANT: No liability is accepted for incorrect use of product. **WARRANTY:** Guarantee is 12 months from purchase date, proof of which will be required for any claim.

INFORMATION: For a copy of our latest catalogue, call us on 01284 757525 and leave your full name and address, including postcode.