

Thank you for purchasing a Sealey product. Manufactured to a high standard, this product will, if used according to these instructions, and properly maintained, give you years of trouble free performance.

IMPORTANT: PLEASE READ THESE INSTRUCTIONS CAREFULLY. NOTE THE SAFE OPERATIONAL REQUIREMENTS, WARNINGS & CAUTIONS. USE THE PRODUCT CORRECTLY AND WITH CARE FOR THE PURPOSE FOR WHICH IT IS INTENDED. FAILURE TO DO SO MAY CAUSE DAMAGE AND/OR PERSONAL INJURY AND WILL INVALIDATE THE WARRANTY. KEEP THESE INSTRUCTIONS SAFE FOR FUTURE USE.



Refer to instruction manual

1. SAFETY

- ✓ Ensure the dispenser is on a reasonably flat, level floor before loading.
- ✓ Ensure that all fittings are tight and secure.
- ✓ Be aware that the paper cutting blades are sharp, handle with care.
- ✓ **DO NOT** use the dispenser for any purpose other than that for which it is designed.

2. INTRODUCTION

Four roll dispenser accepts two rolls up to 300mm and two rolls up to 560mm. Easy to load paper rolls and masking tape. Wide base for added stability. Automatically applies adhesive tape to edges of masking paper. Papers and tapes not included

3. SPECIFICATION

Model No:.....**MK63**

Capacity:..... 2 x 300mm & 2 x 560mm Paper Rolls

4. ASSEMBLY

Assemble parts as per fig.1.

Item	Part Number	Description
1	MK63-01	Main Frame
2	MK63-02	Wheel Frame
3	MK63-03	Bottom Frame (V - Shape)
4	MK63-04	Bottom Frame
5	MK63-05	Support Assembly 22"
6	MK63-06	Support Assembly 16"
7	MK63-07	Cutting Blade and Spring 22"
8	MK63-08	Cutting Blade and Spring 16"
" "	MK63-09-11	Wheel Assembly (contains numbers: 09,10,11)
" "	MK63-12-14	Paper Roll Assembly (contains numbers; 12,13,14)
" "	MK63-15-17	Cutting Blade Assembly (contains numbers; 15,16,17)
" "	MK63-18-24	Tape Reel Assembly
" "	MK63-23-25	Fixing for Lower Frame (contains item numbers ; 23,24,25)

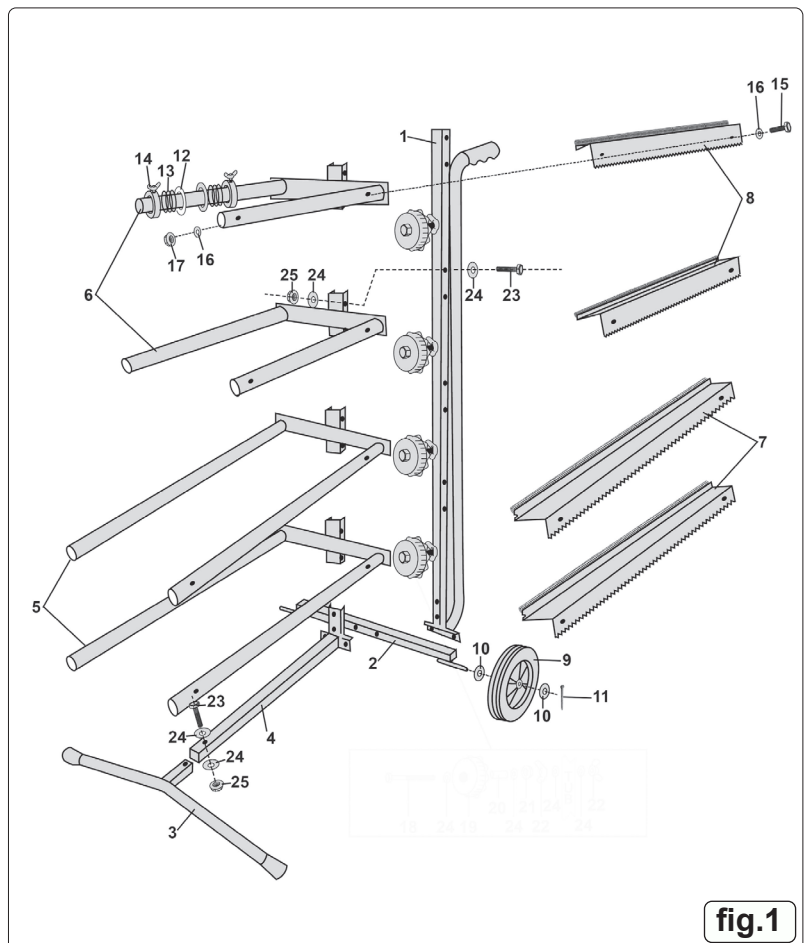


fig.1



ENVIRONMENT PROTECTION

Recycle unwanted materials instead of disposing of them as waste. All tools, accessories and packaging should be sorted, taken to a recycling centre and disposed of in a manner which is compatible with the environment. When the product becomes completely unserviceable and requires disposal, drain any fluids (if applicable) into approved containers and dispose of the product and fluids according to local regulations.



REGISTER YOUR
PURCHASE HERE

Note: It is our policy to continually improve products and as such we reserve the right to alter data, specifications and component parts without prior notice.

Important: No Liability is accepted for incorrect use of this product.

Warranty: Guarantee is 12 months from purchase date, proof of which is required for any claim.

Sealey Group, Kempson Way, Suffolk Business Park, Bury St Edmunds, Suffolk. IP32 7AR

 01284 757500

 sales@sealey.co.uk

 www.sealey.co.uk