



PANEL STAND - DOOR, WING, BONNET & BUMPER

MODEL NO: MK51.V4

Thank you for purchasing a Sealey product. Manufactured to a high standard, this product will, if used according to these instructions, and properly maintained, give you years of trouble free performance.

IMPORTANT: PLEASE READ THESE INSTRUCTIONS CAREFULLY. NOTE THE SAFE OPERATIONAL REQUIREMENTS, WARNINGS & CAUTIONS. USE THE PRODUCT CORRECTLY AND WITH CARE FOR THE PURPOSE FOR WHICH IT IS INTENDED. FAILURE TO DO SO MAY CAUSE DAMAGE AND/OR PERSONAL INJURY AND WILL INVALIDATE THE WARRANTY. KEEP THESE INSTRUCTIONS SAFE FOR FUTURE USE.



Refer to instructions

1. SAFETY

- ✓ Only use on firm, level, unobstructed surfaces which are capable of supporting the stand and body panels.
- ✗ **DO NOT** overload.
- ✓ Always load evenly with the centre of gravity of the load as near the centre as possible.
- ✓ Apply the brakes before commencing work.
- ✗ **DO NOT** stand/ride on the stand, or allow others to do so.
- ✓ Replace or repair damaged parts. Use only recommended parts. Unauthorised parts may be dangerous and will invalidate the warranty.
- ☐ **WARNING!** Failure to comply with these instructions may result in loss of load, damage to the stand or other property and/or personal injury.
- ☐ **WARNING!** The warnings, cautions and instructions discussed in this instruction manual cannot cover all possible conditions and situations that may occur. It must be understood that common sense and caution are factors which cannot be built into this product, but must be applied by the operator.

2. INTRODUCTION

Features fully adjustable arms to fit many styles of bonnets, wings, doors and bumpers. Main frame can adjust through 180°, to give required angle. Fitted with two fixed Ø180mm wheels and two braked Ø100mm castors for manoeuvrability.

3. SPECIFICATION

Model No.....MK51.V4
 Overall Arm Width.....890mm
 Base Dimensions.....850 x 900mm

4. ASSEMBLY

Assemble panel stand according to the parts diagram attached.



ENVIRONMENT PROTECTION

Recycle unwanted materials instead of disposing of them as waste. All tools, accessories and packaging should be sorted, taken to a recycling centre and disposed of in a manner which is compatible with the environment. When the product becomes completely unserviceable and requires disposal, drain any fluids (if applicable) into approved containers and dispose of the product and fluids according to local regulations.

Note: It is our policy to continually improve products and as such we reserve the right to alter data, specifications and component parts without prior notice. Please note that other versions of this product are available. If you require documentation for alternative versions, please email or call our technical team on technical@sealey.co.uk or 01284 757505.

Important: No Liability is accepted for incorrect use of this product.

Warranty: Guarantee is 12 months from purchase date, proof of which is required for any claim.

Sealey Group, Kempson Way, Suffolk Business Park, Bury St Edmunds, Suffolk. IP32 7AR



01284 757500



01284 703534



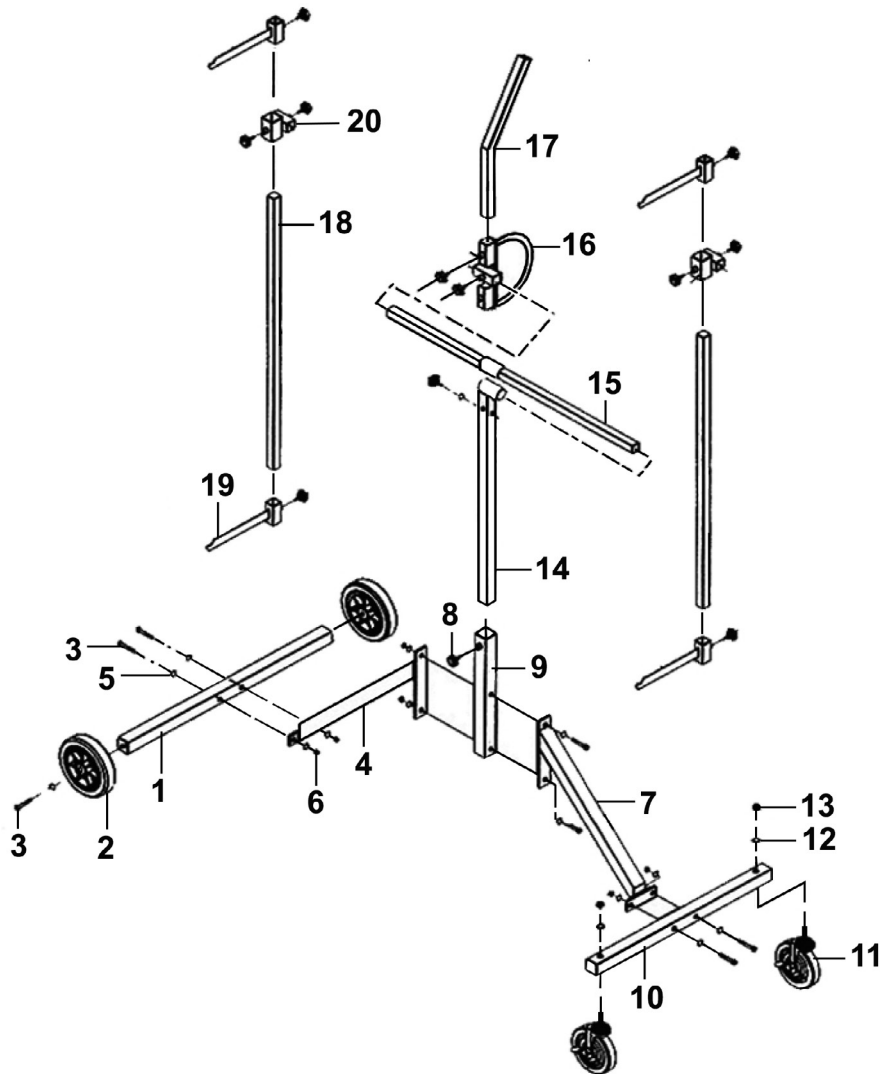
sales@sealey.co.uk



www.sealey.co.uk



Parts Information:
Panel Stand - Door, Wing, Bonnet & Bumper
Model No: MK51.V4



Item	Part No.	Description
1	MK51V4-01	Frame for Wheel (L)
2	MK51V4-02	Fixed Wheel
3	SS1050.S	Hex Head Set Screw M10 X 50 Zinc
4	MK51V4-04	Base Support (for Wheel Frame)
5	FWM10.S	Flat Washer M10 Zinc
6	NLN10.S	Nyloc Nut M10 Zinc
7	MK51V4-07	Base Support (for Castor Frame)
8	MK51V4-08	Securing Knob
9	MK51V4-09	Bottom Vertical Frame
10	MK51V4-10	Base Frame for Castors

Item	Part No.	Description
11	MK51V4-11	Swivel Castor Wheel
12	FWM12.S	Flat Washer M12 Zinc
13	NLN12.S	Nyloc Nut M12 Zinc
14	MK51V4-14	Top Vertical Frame
15	MK51V4-15	Cross Frame
16	MK51V4-16	Adjustable Angle Bracket
17	MK51V4-17	Bent Upright Frame
18	MK51V4-18	Upright Side Frame
19	MK51V4-19	Hook Holder
20	MK51V4-20	Rotation Collar

NOTE: It is our policy to continually improve products and as such we reserve the right to alter data, specifications and component parts without prior notice. There may be alternative versions of this product, please contact us should you require this information.

IMPORTANT: No liability is accepted for incorrect use of product. Spare parts must be fitted by a competent person

WARRANTY: Guarantee is 12 months from purchase date, proof of which will be required for any claim.

Sealey Group, Kempson Way, Suffolk Business Park, Bury St Edmunds, Suffolk. IP32 7AR



01284 757500



01284 703534



sales@sealey.co.uk



www.sealey.co.uk