



INSTRUCTIONS FOR

# ENGINE REBUILD STAND - MULTICYLINDER

MODEL NO: **MES02**

Thank you for purchasing a Sealey product. Manufactured to a high standard, this product will, if used according to these instructions, and properly maintained, give you years of trouble free performance.

**IMPORTANT:** PLEASE READ THESE INSTRUCTIONS CAREFULLY. NOTE THE SAFE OPERATIONAL REQUIREMENTS, WARNINGS & CAUTIONS. USE THE PRODUCT CORRECTLY AND WITH CARE FOR THE PURPOSE FOR WHICH IT IS INTENDED. FAILURE TO DO SO MAY CAUSE DAMAGE AND/OR PERSONAL INJURY AND WILL INVALIDATE THE WARRANTY. KEEP THESE INSTRUCTIONS SAFE FOR FUTURE USE.



Refer to  
Instruction  
Manual

## 1. SAFETY

- ❑ **WARNING!** Ensure all Health and Safety, local authority, and general workshop practice regulations are strictly adhered to when using this equipment.
- ✗ **DO NOT** use unit if damaged.
- ✓ Replace or repair damaged parts. Use recommended parts only. Unauthorised parts may be dangerous and will invalidate the warranty.
- ✓ Keep the stand clean for best and safest performance.
- ✓ Locate the stand in a suitable work area. Keep area clean and tidy and free from unrelated materials. Ensure there is adequate lighting.
- ✓ Use on a firm, level surface capable of sustaining the stand and the load.
- ✓ Maintain correct balance and footing. Ensure the floor is not slippery and wear non-slip shoes.
- ✓ Ensure all non-essential persons keep a safe distance whilst the stand is in use.
- ✓ Lock ratchet in position with locking pin before fixing a load and ensure the engine is centred and securely mounted.
- ✓ Ensure the stand and load are stable.
- ✓ **DO NOT** allow untrained persons to use the stand.
- ✗ **DO NOT** exceed the rated capacity of 75kg.
- ✗ **DO NOT** use the stand for purposes other than those for which it is designed.
- ✓ When not in use store stand in a safe, dry, childproof area.

## 2. INTRODUCTION

Suitable for a wide variety of engines and transmissions. features fully adjustable lower mounting arms and swivel castors, capable of supporting larger (maximum 75kg) multi cylinder engines. Supports can rotate for accessibility to all parts of the engine.

## 3. SPECIFICATION

Model no: ..... **MES02**  
 Maximum capacity: ..... 75kg  
 Min./Max. width engine mounting brackets: ..... 150-360mm  
 Min./Max. length: ..... 550/940mm  
 Min./Max. height: ..... 540/795mm



## 4. ASSEMBLY

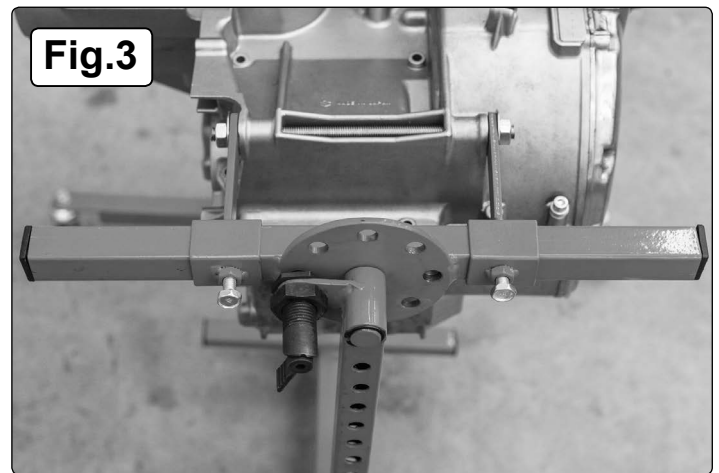
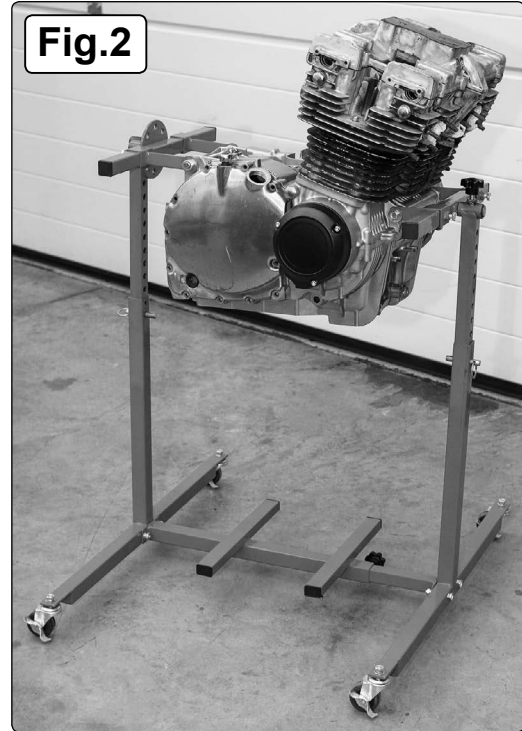
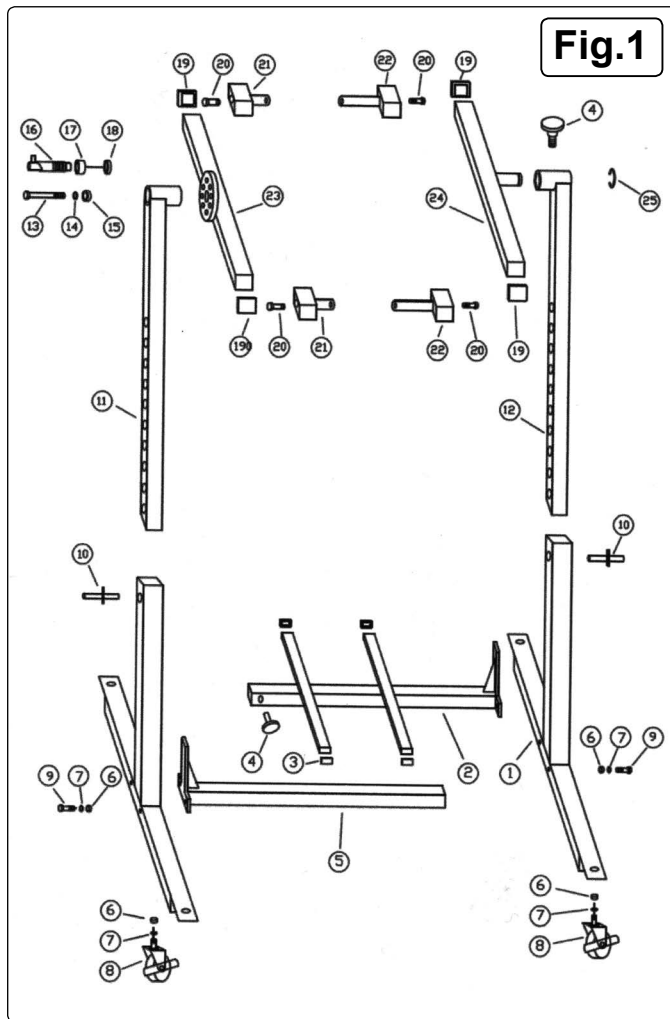
Refer to fig.1.

- 4.1. Insert bottom frame (5) into bottom frame (2). secure with locking bolt (4).
- 4.2. Bolt upright posts (1) to either end of bottom frame assembly (5 & 2) using bolt (9), washer (7) and nut (6).
- 4.3. Insert expansion posts (11 & 12) into upright posts (1), secure with pins (10) and R clips.
- 4.4. Insert rotary frame 1 (23) into expansion post (11). Secure first with circlip (25) and then bolt (13) washer (14) and nut (15).
- 4.5. Insert rotary frame 2 (24) into expansion post (12). Secure first with circlip (25) and then bolt (13) washer (14) and nut (15).
- 4.6. Use ratchet (16) and locking bolt (4) on top of expansion post 2 (12) to adjust angle of rotary frames (24 & 25).
- 4.7. Fit wheels (8) using washer (7) and nut (6).
- 4.8. Slide supporting frames (21 & 22) onto rotary frames 1 & 2 (23 & 24), secure with bolts (20).
- 4.9. Secure all fasteners.

## 5. OPERATION

Refer to figs. 2 & 3.

- 5.1. Use original engine mounting bolts or studding, washers and nuts of appropriate size to secure the engine to the stand using supporting frames (21 & 22).



Parts support is available for this product. To obtain a parts listing and/or diagram, please log on to [www.sealey.co.uk](http://www.sealey.co.uk), email [sales@sealey.co.uk](mailto:sales@sealey.co.uk) or telephone 01284 757500.



**Environmental Protection**  
 Recycle unwanted materials instead of disposing of them as waste. All tools, accessories and packaging should be sorted, taken to a recycling centre and disposed of in a manner which is compatible with the environment.  
 When the product becomes completely unserviceable and requires disposal, drain off any fluids (if applicable) into approved containers and dispose of the product and the fluids according to local regulations.

**NOTE:** It is our policy to continually improve products and as such we reserve the right to alter data, specifications and component parts without prior notice.

**IMPORTANT:** No liability is accepted for incorrect use of this product.

**WARRANTY:** Guarantee is 12 months from purchase date, proof of which will be required for any claim.

# SEALEY

Sole UK Distributor, Sealey Group.  
 Kempson Way, Suffolk Business Park,  
 Bury St. Edmunds, Suffolk.  
 IP32 7AR



01284 757500



01284 703534



[www.sealey.co.uk](http://www.sealey.co.uk)



[sales@sealey.co.uk](mailto:sales@sealey.co.uk)