

Thank you for purchasing a Sealey product. Manufactured to a high standard this product will, if used according to these instructions and properly maintained, give you years of trouble free performance.



IMPORTANT: PLEASE READ THESE INSTRUCTIONS CAREFULLY. NOTE THE SAFE OPERATIONAL REQUIREMENTS, WARNINGS AND CAUTIONS. USE THIS PRODUCT CORRECTLY AND WITH CARE FOR THE PURPOSE FOR WHICH IT IS INTENDED. FAILURE TO DO SO MAY CAUSE DAMAGE OR PERSONAL INJURY AND WILL INVALIDATE THE WARRANTY.

1. SAFETY INSTRUCTIONS

1.1. ELECTRICAL.

- WARNING!** It is the user's responsibility to read, understand and comply with the following:
- WARNING!** THIS PRODUCT MUST BE INSTALLED BY A QUALIFIED ELECTRICIAN.

You must check all electrical equipment and appliances to ensure they are safe before using. You must inspect power supply leads, plugs and all electrical connections for wear and damage. You must ensure the risk of electric shock is minimised by the installation of appropriate safety devices.

An RCCB (Residual Current Circuit Breaker) should be incorporated in the main distribution board.

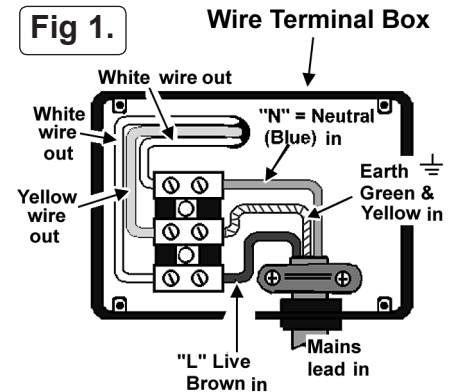
You must also read and understand the following instructions concerning electrical safety.

- 1.1.1. Ensure the light is connected to an appropriate electrical on/off switch.
- 1.1.2. Ensure the insulation on all cables and the product itself is safe before connecting to the mains power supply.
- 1.1.3. Ensure that cables are always protected against short circuit and overload.
- 1.1.4. Regularly inspect power supply, leads, plugs and all electrical connections for wear and damage, especially power connections, to ensure that none are loose.
- 1.1.5. Important: Ensure the voltage marked on the product is the same as the electrical power supply to be used.
- 1.1.6. DO NOT pull power cable once installed.
- 1.1.7. DO NOT pull power plugs from sockets by the power cable.
- 1.1.8. DO NOT use worn or damaged leads, plugs or connections. Immediately replace or have repaired by a qualified Electrician.

Ensure the unit is correctly earthed and wired according to the diagram figure 1.

- a) Connect the GREEN/YELLOW earth wire to the earth terminal 'E'.
- b) Connect the BROWN live wire to live terminal 'L'.
- c) Connect the BLUE neutral wire to the neutral terminal 'N'.

After wiring, check there are no bare wires, that all wires have been correctly connected and that the wire restraint is tight.



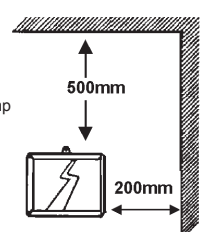
1.2. GENERAL SAFETY.

- WARNING!** Turn off the mains power supply before changing tube, servicing or performing any maintenance.
- ✓ Maintain the light in good condition (Repairs must only be undertaken by a qualified electrician).
- ✓ Replace or repair damaged parts. Use recommended parts only, non authorised parts may be dangerous and will invalidate the warranty.
- ✓ Ensure the light is installed correctly in accordance with these instructions.
- ✓ Only install the light on a vertical surface. DO NOT fix the light on any horizontal surface. i.e. ceiling, or overhang.
- ✓ Light becomes very hot. Installation must be away from flammable or combustible materials such as wood, cloth, paper etc.
- DANGER!** DO NOT direct the light into a persons eyes. This unit has a very intensive light output, which if incorrectly used could cause eye damage.
- x DO NOT install the light near flammable, combustible or explosive liquids, solids, gases or equipment.
- x DO NOT install the light where it is likely to be knocked or hit.
- x DO NOT install in bathrooms, shower rooms, sauna or such locations.
- x DO NOT touch the light when operating, allow to cool before touching, light operates at high temperature.
- x DO NOT handle halogen bulbs as the natural oil from your fingers and hands will shorten the bulb life. Handle only with a soft lint free cloth.
- x DO NOT use the light without the front glass shield. Avoid touching the glass shield as handling may reduce its serviceable life and cause the glass to crack.

2. INSTALLATION & USE

- 2.1. **INSTALLATION.** **WARNING!** Ensure the unit is not connected to the mains power supply before installation.
- 2.1.1. Consider the position of unit to ensure you obtain maximum benefit from the lighting, and that an appropriate electrical power source can be provided.
- 2.1.2. The light must be mounted vertically only i.e. on a wall etc. DO NOT mount horizontally i.e. ceiling or overhang. DO NOT mount so that the face of the lamp is pointing upwards, or is facing towards the mounting surface.
- 2.1.3. To protect surfaces and objects from the light's heat, fix at the following minimum distances between the light and any surface/object, (fig 2).
500mm minimum between the top of the light and any overhead surface, or objects, i.e. ceilings, overhangs.
200mm between sides of light and end or side walls, surface or objects.
2 metres minimum between the front of the light and any object to be illuminated.
- 2.1.4. Fix the light to horizontal surface with appropriate size screws or bolts.
- 2.1.5. Ensure the unit is connected to the electrical supply by a qualified electrician.

Fig 2.



2.2. BULB CHANGING.

- WARNING!** Ensure the light is disconnected from the mains power supply and allow it to cool before attempting any of the following. DO NOT touch the new halogen bulb as the natural oil from your fingers will shorten the bulb life. Handle with a dry, clean, lint free cloth.
- 2.2.1. Loosen the screw on the top of the front cover (fig 3.A) and undo allowing the front cover to open. Check to ensure the screw is retained in the front cover tab (3) by the washer.
- 2.2.2. Remove the old bulb and discard. Hold the new bulb in a clean cloth and insert it accordingly. (Always use the correct rated bulb fig 3.1).
- 2.2.3. Check that the weather seal is correctly located in the light's rim (4) and the washer is on the securing screw and close the front cover. Seal by tightening the securing screw.

2.3. GENERAL

Use only original Sealey parts for repair or replacement of parts, repairs must be undertaken by a qualified electrician.
Clean the light with a dry, dust-free cloth. DO NOT use solvents, or abrasives to clean the light.
Avoid touching the glass shield (fig 3.2) as handling may reduce its serviceable life and cause the glass to crack.
If necessary clean the shield (when cold) with alcohol and a soft cloth.
If glass is damaged, replace it immediately. Use genuine Sealey replacement glass DO NOT use other glass, and DO NOT use the light without the glass shield.
DO NOT use the light without the weather seals intact.

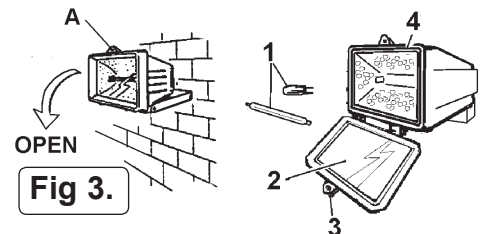


Fig 3.

NOTE: It is our policy to continually improve products and as such we reserve the right to alter data, specifications and component parts without prior notice.

IMPORTANT: No liability is accepted for incorrect use of this product.

WARRANTY: Guarantee is 12 months from purchase date, proof of which will be required for any claim.

INFORMATION: For a copy of our latest catalogue and promotions call us on 01284 757525 and leave your full name and address, including postcode.

