



VEHICLE STORAGE SHELTER (3.4 X 1.8 X 1.9MTRS)

MODEL NO: MCS02

Thank you for purchasing a Sealey product. Manufactured to a high standard, this product will, if used according to these instructions, and properly maintained, give you years of trouble free performance.

IMPORTANT: PLEASE READ THESE INSTRUCTIONS CAREFULLY. NOTE THE SAFE OPERATIONAL REQUIREMENTS, WARNINGS & CAUTIONS. USE THE PRODUCT CORRECTLY AND WITH CARE FOR THE PURPOSE FOR WHICH IT IS INTENDED. FAILURE TO DO SO MAY CAUSE DAMAGE AND/OR PERSONAL INJURY AND WILL INVALIDATE THE WARRANTY. KEEP THESE INSTRUCTIONS SAFE FOR FUTURE USE.



Refer to instruction manual



Wear protective gloves



Wear eye protection

1. SAFETY

NOTE: This is a temporary structure and is not recommended as a permanent structure.

- ✓ Choose your shelter's location carefully. Check for overhead utility lines, branches, etc. **DO NOT** install near roofs or other structures that may shed snow, ice or excessive run-off onto your shelter. Keep away from electrical wires!
- ✓ Have an overview of all parts before attempting installation. Make sure all components are available.
- ✗ **DO NOT** use this product in environments for which it is not intended (i.e. extreme cold, high winds, extreme heat, heavy rainfall, etc).
- ✓ Always wear safety glasses when assembling this product. Wear gloves when working with tubing to prevent cuts or abrasions.
- ☐ **WARNING!** Anchors must be used with all shelters. Covers should **NOT** be installed until it has been properly anchored to the ground. **NOTE:** Proper anchoring and keeping cover tight and free of snow and debris, is the responsibility of the consumer. Damages caused by improper anchoring are not covered under warranty.
- ☐ **WARNING!** Keep all flame and heat sources away from the shelter fabric. The fabric will burn if left in continuous contact with a flame source.
- ✗ **DO NOT** use open flames or cooking or heating devices inside or in close proximity to the product, including all types of stoves, gas heaters, gas lanterns, citronella torches, mosquito coils, etc.
- ☐ **WARNING!** In order to reduce risk of burning and avoid damage, **DO NOT:**
 - cook, smoke, refuel or use any open flame devices in or around the shelter.
 - store flammable liquids (gasoline, kerosene, propane, etc.) in the shelter.
 - operate gas powered equipment in or around the shelter.
- ☐ **WARNING!** Keep open flames a safe distance away from the shelter.
- ✗ **DO NOT** use hard-edged tools or instruments, such as rakes or shovels, to remove snow. These can cause punctures to the cover.
- ▲ **NEVER** start the engine of any vehicle or machine inside a closed shelter. Ensure that there is adequate ventilation for starting engines and for any work with paints, cleaners, etc.
- ✗ **DO NOT** use bleach, alkaline or harsh detergents for cleaning. Doing so will damage the polycarbonate material. Soap and warm water are recommended.
- ✓ This temporary shelter is intended to offer protection from damages caused by the sun, light rain, light snow, tree sap, bird and animal excrements. **DO NOT** use it to shield goods from high winds, heavy snow or ice storms. Only use it for its intended purpose.

2. INTRODUCTION

Made from durable anti-scratch material to protect vehicle's paintwork. Rigid tubular frame with hinged opening for easy access. Adjustable side vents allow increased ventilation while still keeping vehicle protected from elements. Includes anchor points for fixing shelter to driveway/ground (fixings not included). Padlock hasp for increased security when canopy is closed. Dimensions (L x W x H): 3400 x 1800 x 1900mm.

3. SPECIFICATION

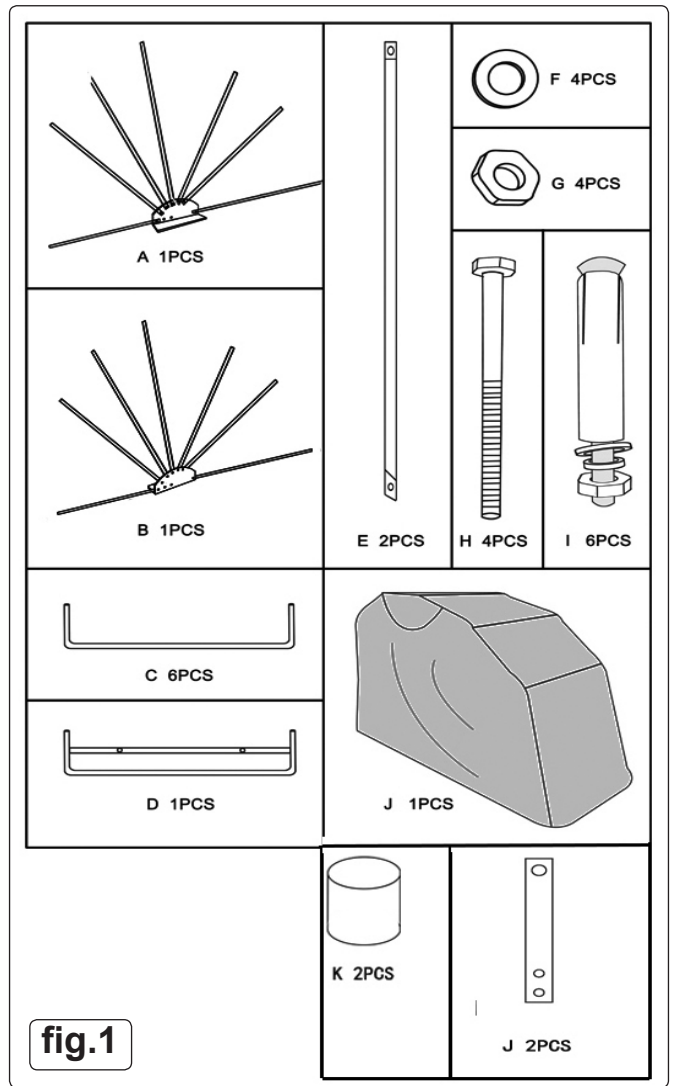
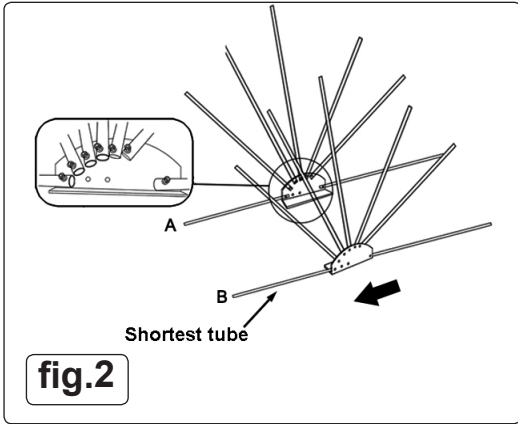
Model No: MCS02
Size: Medium
Dimensions (L x W x H) 3400 x 1800 x 1900

4. ASSEMBLY

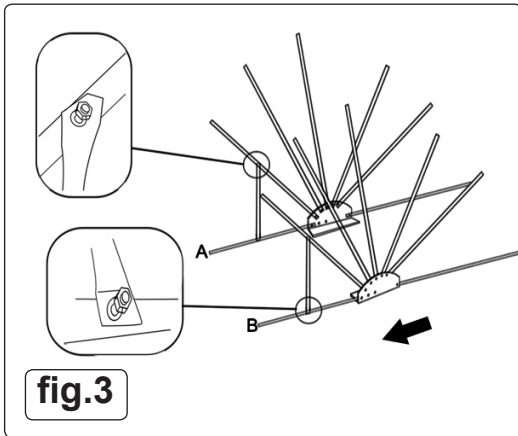
- 4.1. **ASSEMBLY PREPARATION**
- 4.1.1. Place all parts from the packaging box in a cleared area and arrange them on the ground in front of you.
- 4.1.2. Remove all packaging materials and place them back in the box. **DO NOT** dispose of the packaging materials until assembly is complete.
- 4.1.3. Check for completeness of components and transport damages.
 - ☐ **WARNING! DO NOT** place the product under trees from which hard fruit such as apples, walnuts or heavy pine cones, etc., may fall.
- 4.1.4. Keep children away during assembly. This product contains small parts which can be swallowed by children.
 - ✗ **DO NOT** attempt to assemble the product if any parts are missing.
- 4.1.5. At least 2 people are needed to complete the assembly as some of the steps require awkward lifting and fitting.
 - ☐ **WARNING! DO NOT** leave the shelter unattended during assembly. Otherwise, personal injury or damage to the shelter may occur!

4.2. ASSEMBLY

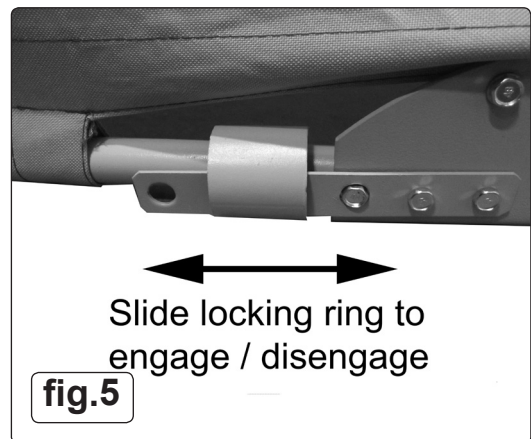
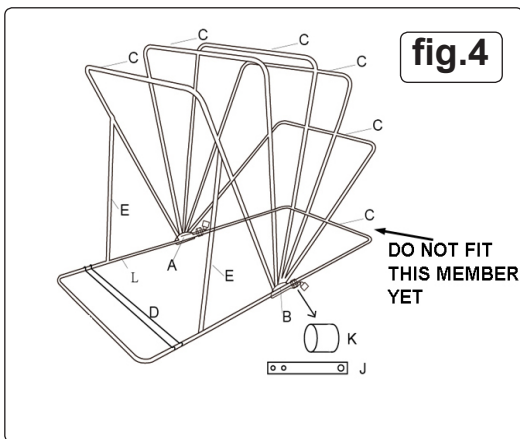
- 4.2.1. The Storage Shelter comes partially assembled with side arms (fig1.A and fig1.B) pre-built.
- 4.2.2. Arrange items fig1.A and fig1.B such that A is to your right and B pointing away from you (fig2).

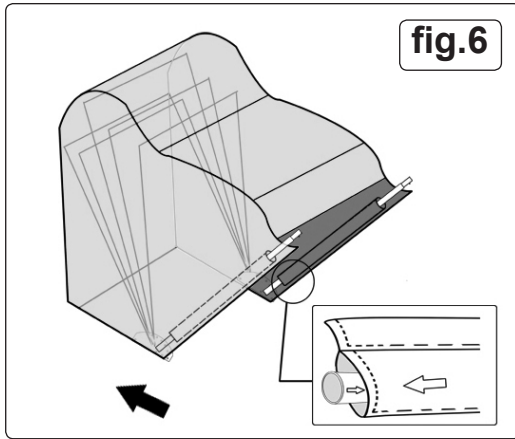


- 4.2.3. Connect the two vertical support tubes (fig1.E) to side arm arrangements (fig1.A, fig1.B) using fixings fig1.F, fig1.G and fig1.H as shown in fig3.



- 4.2.4. Connect end brace (fig1.D) to side frames (fig3.A, fig3.B). Connect all top bars (fig1.C) across the side frames. Leave last C bar unconnected at this stage (see fig4.)
- 4.2.5. Fix locking bars (fig4.J) to hinge point using supplied fixings (positions fig4.A, fig4.B). Disconnect the lower most tubes and slide locking rings (fig1.K), fig5) onto tube. Reconnect tube to central hub (fig5). Slide locking collar (fig4.K) over open ended tubes and run down to hinge point. To lock frame, slide locking collar (fig4.K) over locking bar (fig5).





- 4.2.6. Lay cover over frame work ensuring the correct outer surface is on the outside (fig5). Slide the sleeves inside the cover over the open ends of the assembly (fig5). Pass the last top bar (fig4.C) through the sleeve on the cover and connect to main assembly.
- 4.2.7. Fold the cover backwards over the frame and from the inside, wrap the internal velcro fasteners onto the framework.
- 4.2.8. Mark off the location for the rawl bolt ground fixings and install if required.

Parts support is available for this product. Please log on to www.sealey.co.uk, email sales@sealey.co.uk or telephone 01284 757500



ENVIRONMENT PROTECTION

Recycle unwanted materials instead of disposing of them as waste. All tools, accessories and packaging should be sorted, taken to a recycling centre and disposed of in a manner which is compatible with the environment. When the product becomes completely unserviceable and requires disposal, drain any fluids (if applicable) into approved containers and dispose of the product and fluids according to local regulations.

Note: It is our policy to continually improve products and as such we reserve the right to alter data, specifications and component parts without prior notice.

Important: No Liability is accepted for incorrect use of this product.

Warranty: Guarantee is 12 months from purchase date, proof of which is required for any claim.

Sealey Group, Kempson Way, Suffolk Business Park, Bury St Edmunds, Suffolk. IP32 7AR



01284 757500



01284 703534



sales@sealey.co.uk



www.sealey.co.uk