



# 680KG HEAVY-DUTY MOTORCYCLE LIFT - ELECTRO/HYDRAULIC

MODEL NO: **MC680E.V2**

Thank you for purchasing a Sealey product. Manufactured to a high standard, this product will, if used according to these instructions, and properly maintained, give you years of trouble free performance.

**IMPORTANT:** PLEASE READ THESE INSTRUCTIONS CAREFULLY. NOTE THE SAFE OPERATIONAL REQUIREMENTS, WARNINGS & CAUTIONS. USE THE PRODUCT CORRECTLY AND WITH CARE FOR THE PURPOSE FOR WHICH IT IS INTENDED. FAILURE TO DO SO MAY CAUSE DAMAGE AND/OR PERSONAL INJURY AND WILL INVALIDATE THE WARRANTY. KEEP THESE INSTRUCTIONS SAFE FOR FUTURE USE.



Refer to instructions



Wear protective gloves



Wear safety footwear




Warning:  
Crushing of  
Hands

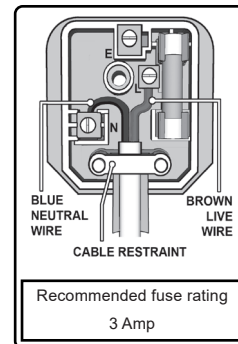


No reaching in

## 1. SAFETY

### 1.1. ELECTRICAL SAFETY

- ❑ **WARNING!** It is the user's responsibility to check the following:
  - Check all electrical equipment and appliances to ensure that they are safe before using. Inspect power supply leads, plugs and all electrical connections for wear and damage. Sealey recommend that an RCD (Residual Current Device) is used with all electrical products. You may obtain an RCD by contacting your local Sealey Stockist.
  - If the product is used in the course of business duties, it must be maintained in a safe condition and routinely PAT (Portable Appliance Test) tested.
  - Electrical safety information, it is important that the following information is read and understood.
- 1.1.1. Ensure that the insulation on all cables and on the appliance is safe before connecting it to the power supply.
- 1.1.2. Regularly inspect power supply cables and plugs for wear or damage and check all connections to ensure that they are secure.
- 1.1.3. **IMPORTANT:** Ensure that the voltage rating on the appliance suits the power supply to be used and that the plug is fitted with the correct fuse - see fuse rating in these instructions.
  - × **DO NOT** pull or carry the appliance by the power cable.
  - × **DO NOT** pull the plug from the socket by the cable. Remove the plug from the socket by maintaining a firm grip on the plug.
  - × **DO NOT** use worn or damaged cables, plugs or connectors. Ensure that any faulty item is repaired or replaced immediately by a qualified electrician.
- 1.1.4. This product is fitted with a BS1363/A 13 Amp 3 pin plug.
  - If the cable or plug is damaged during use, switch the electricity supply and remove from use.
  - Replace a damaged plug with a BS1363/A 13 Amp 3 pin plug. If in doubt contact a qualified electrician.
  - Class II products are wired with live (brown) and neutral (blue) only, and are marked with the  Class II symbol;
    - A) Connect the BROWN live wire to the live terminal 'L'.
    - B) Connect the BLUE neutral wire to the neutral terminal 'N'.
    - C) After wiring, check that there are no bare wires and ensure that all wires have been correctly connected.
  - Ensure that the cable outer sheath extends inside the cable restraint and that the restraint is tight.
- × **DO NOT** connect either wire to the earth terminal.
- Sealey recommend that repairs are carried out by a qualified electrician.



### 1.2. GENERAL SAFETY

- ❑ **WARNING!** Disconnect lift from mains power supply before changing parts, servicing or performing any maintenance.
- ✓ Ensure lift is kept clean and in good working order. Immediately repair or replace damaged parts.
- ✓ Use recommended parts only. Incorrect parts may be dangerous and will invalidate the warranty.
- ✓ Use a qualified person to lubricate and maintain the lift. **DO NOT** use brake fluid to top up system. Use Sealey hydraulic oil only.
- ✓ Locate lift in a suitable, well lit work area. Keep area clean and tidy and free from unrelated materials.
- ✓ Use lift on level and solid ground, preferably concrete, capable of withstanding the weight of the lift and any load placed on it.
- ✓ Avoid tarmacadam since lift may sink in.
- ✓ Ensure all non-essential persons keep a safe distance.
- ✓ Always keep your hands and feet away from moving parts. **DO NOT** reach under the lift.
- × **DO NOT** operate the lift if parts are missing or damaged.
- × **DO NOT** adjust the safety overload valve.
- ✓ Keep the lift clean for best and safest performance.
- ✓ The maximum load is 680kg. **DO NOT** exceed this rated capacity.
- ✓ Use this lift for lifting purpose only. NOT to be used for lifting persons. **DO NOT** use it for any other purpose it is not designed to perform.
- ✓ Keep children and unauthorised persons away from the work area.
- ✓ Remove ill fitting clothing. Remove ties, watches, rings and other loose jewellery, and contain long hair.
- ✓ Keep proper balance and footing, **DO NOT** overreach and wear non-slip footwear.
- ✓ Ensure the vehicle is adequately secured to the lifting platform with appropriate straps.
- ✓ Before lowering lift ensure that there are no obstructions underneath and that all persons are standing clear.
- × **DO NOT** use the lift if damaged, any suspect parts are noted or it has been subjected to a shock load.

- ✗ **DO NOT** operate the lift when you are tired or under the influence of alcohol, drugs or any intoxicating medication.
- ✗ **DO NOT** allow untrained persons to operate the lift.
- ✗ **DO NOT** make any modifications to the lift.
- ✗ **DO NOT** get the lift wet.
- ✓ When not in use remove from mains supply, and store in the down position in a safe, dry, childproof area.
- ☐ **WARNING:** The warnings, cautions and instructions discussed in this instruction manual cannot cover all possible conditions and situations that may occur. It must be understood that common sense and caution are factors which cannot be built into this product, but must be applied by the operator.

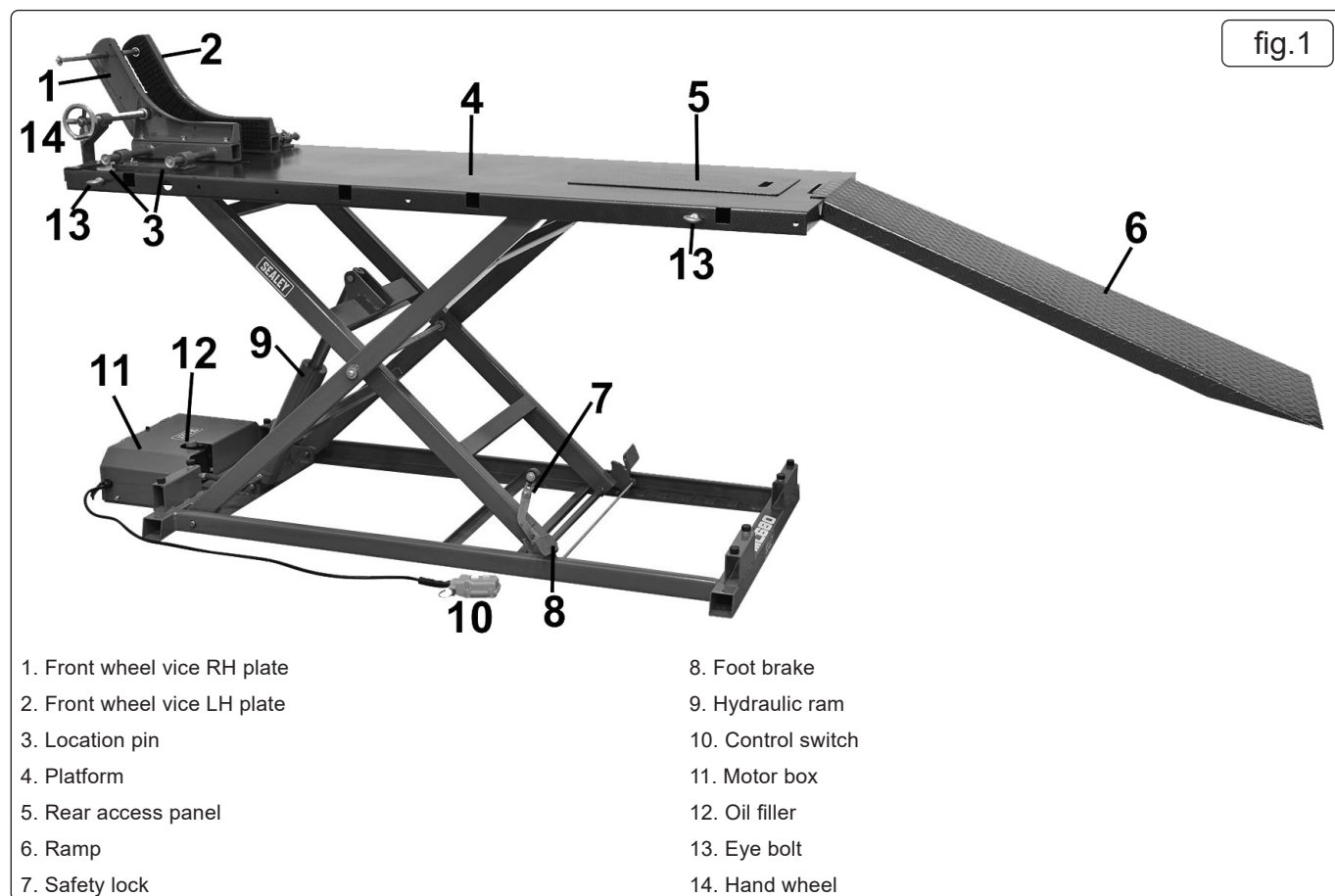
## 2. INTRODUCTION

All steel construction with a 680kg capacity powered by 230V Electro/Hydraulic lifting system for simple, fast operation. Heavy-duty ramp and platform with removable rear access panel to aid with wheel removal. Supplied with motorcycle front wheel locking attachment for tyre widths between 75-340mm to assist in securing the vehicle. Fitted with multi-position safety lock to prevent accidental lowering. Suitable for use with centre stand motorcycles or with a rear paddock stand. Can be easily converted to a Mini Tractor, Quadbike lift with the additional side ramps (Model No. MC680EXK).

## 3. SPECIFICATION

Model no. .... MC680E.V2  
 Capacity: ..... 680kg  
 Minimum/Maximum Height: ..... 210/1000mm  
 Platform Width/Length: ..... 750/2000mm  
 Electric Supply: ..... 230V

## 4. FEATURES

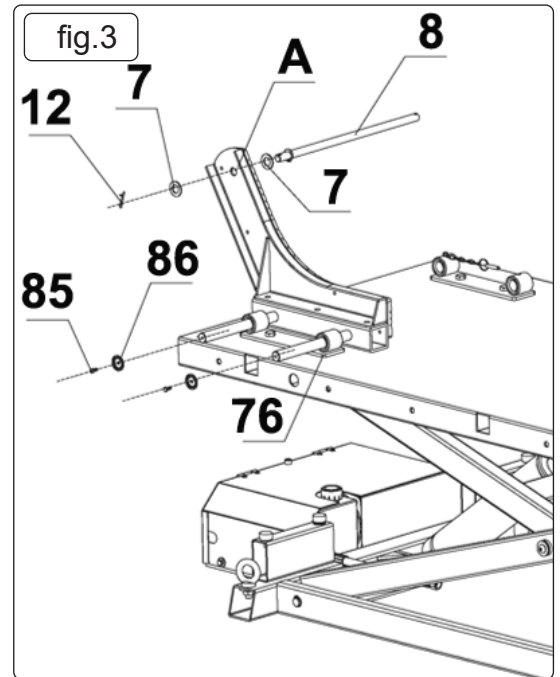
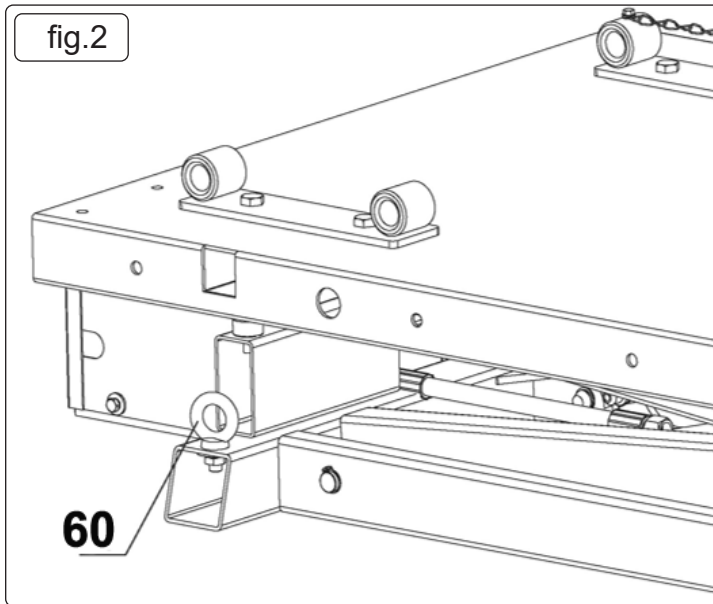


## 5. ASSEMBLY

☐ **WARNING!** The lift is very heavy. Use appropriate mechanical lifting equipment.

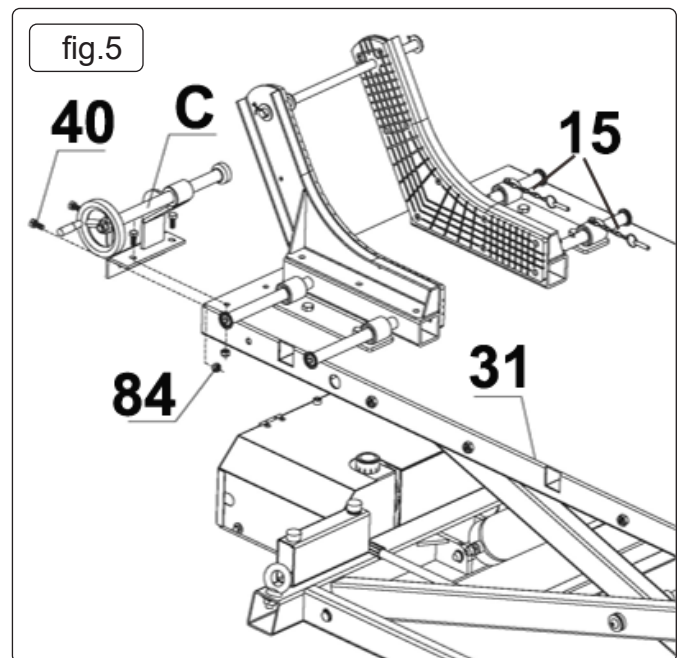
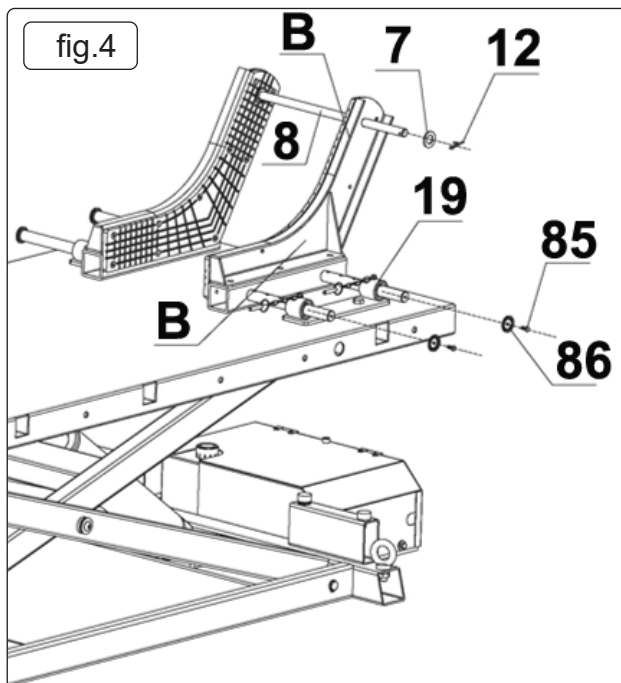
5.1. Open the package and using ropes/strops fixed to the 4 eyebolts (#60) lift the lift out, fig.2.

**NOTE:** The pump tank is filled with oil. **DO NOT** incline the lift when lifting, so as to avoid the oil being poured out.



5.2. Lift the platform to the right position. Attach right side vice plate A to the movable seat (#76) using hex bolt M5x12 (#85) and protruding gasket (#86). Then insert fix tube (#8) to the hole of right side fixation plate A using flat washer Ø12 (#7) and cotter pin Ø3x30 (#12), fig.3.

5.3. Insert fix tube (#8) to the hole of left side fixation plate B using flat washer Ø12 (#7) and cotter pin Ø3x30 (#12). Then attach left side fixation plate B to the movable seat (#19) using hex bolt M5x12 (#85) and protruding gasket (#86), fig.4. Secure with pin (#15), fig.5.



5.4. Attach hand wheel C to platform (#31) using hex bolt M8 x 20 (#40) and nylon lock nut M8 (#84), fig.5.

- 5.5. Remove eyebolt (#60) from base and attach the eyebolt to the edge of the platform, (to be used as a tie down location point) fixed with large washer Ø10 (#64) and hex lock nut M10 (#58). Then attach sloping plate to the platform, fig.6.

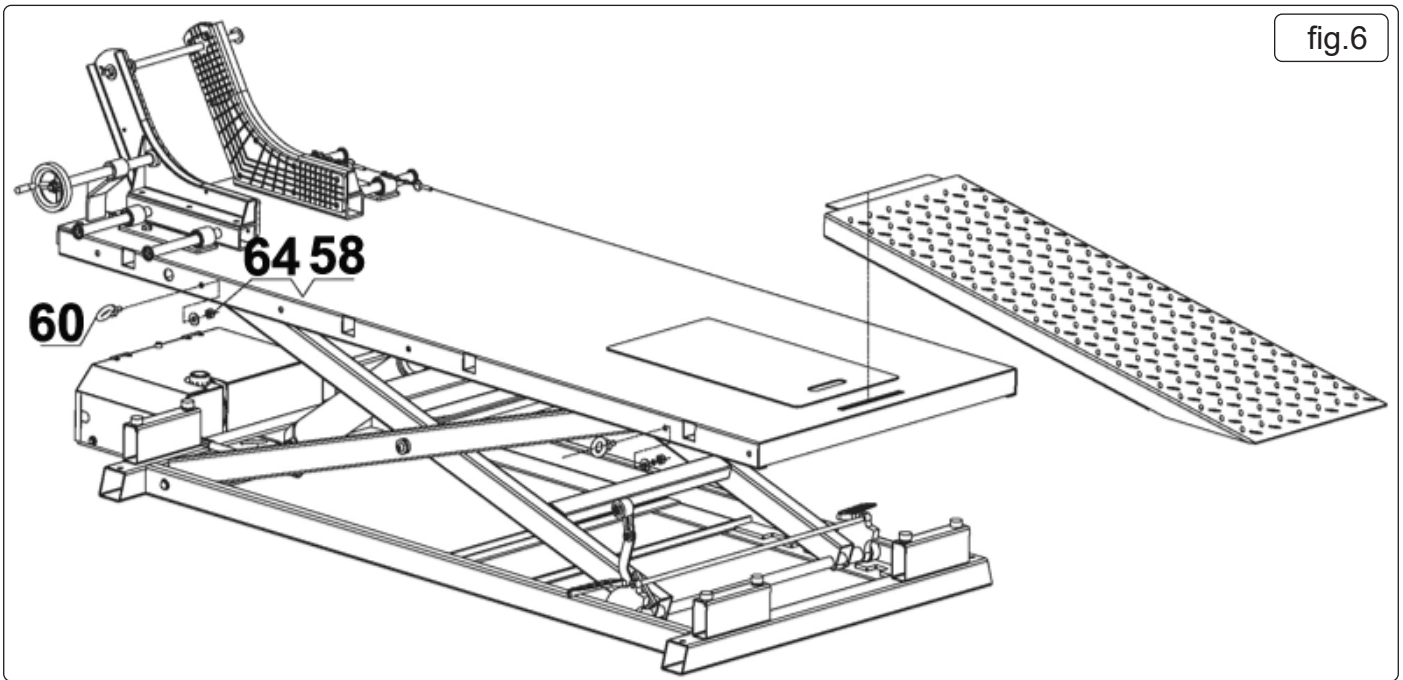


fig.6

- 5.6. FIT SIDE EXTENSIONS (NOT SUPPLIED) MODEL NO. MC680EXK

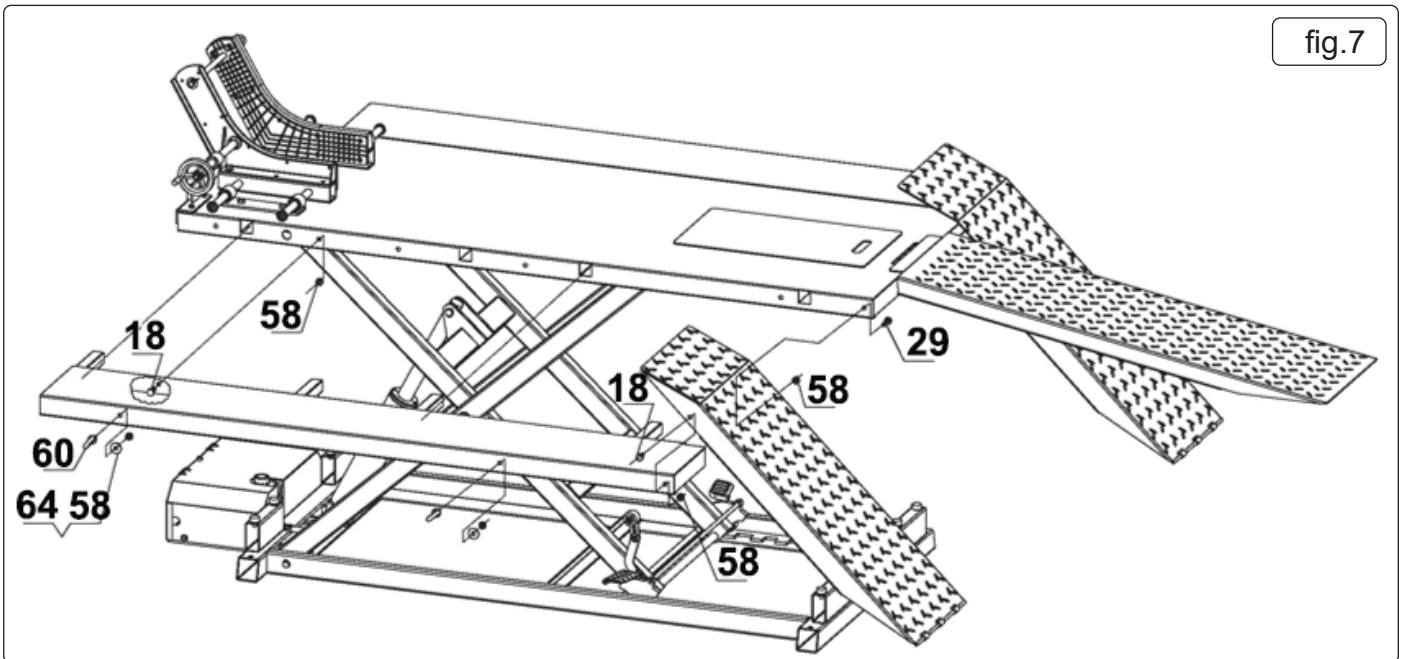


fig.7

- 5.6.1. Insert left & right side extension plate into the holes of platform using four sets hex bolt M10x20 (#18) and hex lock nut M10 (#58). Attach two side ramps to the platform, fix left side with hex bolt M10x20 (#18) and nylon lock nut M10 (#58), then fix right side with hex bolt M10x35 (#29) and nylon lock nut M10 (#58).

## 6. OPERATION

- WARNING!** Ensure that you have read, understand and apply the Section 1 Safety Instructions.
  - WARNING! DO NOT** overload the lift. The maximum load is 680kg.
  - Position the lift in a suitable location, preferably on a concrete surface, capable of withstanding the weight of the motorcycle/vehicle and the lift.
  - WARNING!** The motorcycle/vehicle needs to be fully supported by the platform prior to lifting. The ramp (#6) is only used to assist the operator in wheeling the vehicle on to the platform when the lift is at its lowest position.
- 6.1. Wheel the motorcycle onto the lift and secure the front wheel into the clamp at the front of the lift.
  - 6.2. Secure the motorcycle/vehicle to the lift using the eyebolts (#60).
  - 6.3. The motorcycle lift already has hydraulic oil added before shipping.
  - 6.4. Once connected to the mains power the lift can be used immediately.
  - 6.5. Remove the sloping plate before lifting the platform.
  - 6.6. Stand well back from the lift when lifting or lowering platform to avoid danger. Use the control switch (fig.1.10) to raise the lift.
  - 6.7. Once at its desired height, lower the lift so that the safety brake engages.

## 6.8. SAFETY BRAKE FIG.8

### 6.9. LOWERING

- 6.9.1. Check there are no tools, equipment, cables or hoses under the lift.
- 6.9.2. The safety brake needs to be manually disengaged prior to lowering. Raise the lift to allow the safety brake to be released.
- 6.9.3. As the lift is completely lowered, the safety brake automatically engages ready for ascending.

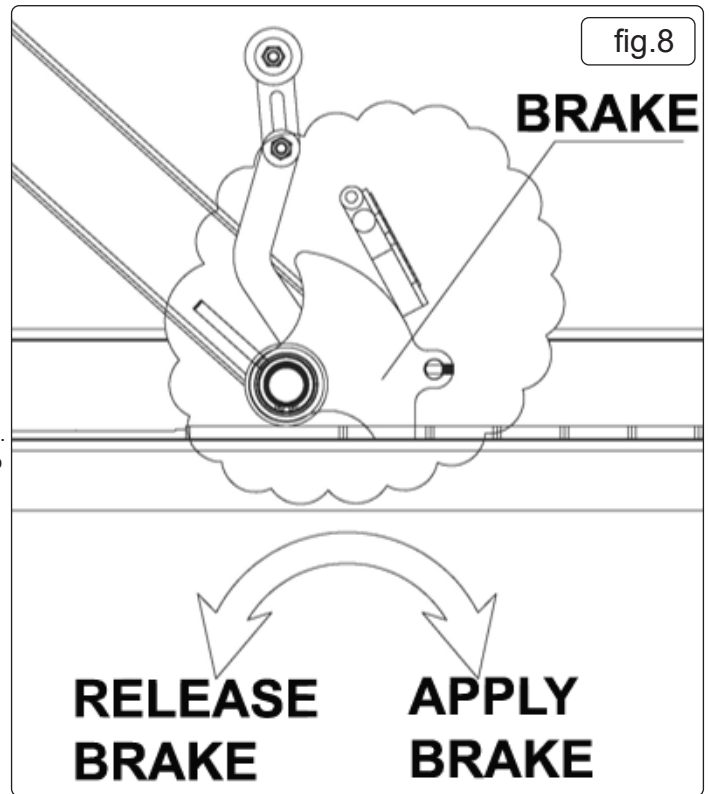
**NOTE:** The safety brake only engages once the lift is completely lowered, NOT if the lift is stopped during descent and raised again. In this instance the safety brake **MUST** be manually engaged.

### 6.10. HOW TO LOWER IN CASE OF POWER FAILURE FIG.9

- 6.10.1. If there is a power failure follow this procedure to lower the lift.
- 6.10.2. The lift and its load will need to be raised manually, enough to release the safety brake.
- 6.10.3. Remove the 2 screws which secure the motor box and lift the lid up.
- 6.10.4. Turn the thumb wheel on the release valve to lower the lift. The rate of descent can be controlled by how far the valve is opened. Close the valve again.

## 7. MAINTENANCE

- 7.1. Clean and lubricate on a regular basis.
- 7.2. Before each use check all parts. If any part of the lift is damaged or suspect, remove the lift from service and take necessary action to repair.
- 7.3. Regularly check oil level via filler hole, fig.1.12. With piston fully down remove filler plug, oil should be level with bottom of filler hole. Top-up as necessary. Use a good quality jack oil such as Sealey Hydraulic Jack Oil. **DO NOT** use brake fluid.
- 7.4. Ensure no dirt enters hydraulic system when filling or removing/replacing components.
- 7.5. Keep the lift clean and wipe off any oil or grease. Lubricate all moving parts.



### WEEE REGULATIONS

Dispose of this product at the end of its working life in compliance with the EU Directive on Waste Electrical and Electronic Equipment (WEEE). When the product is no longer required, it must be disposed of in an environmentally protective way. Contact your local solid waste authority for recycling information.



### ENVIRONMENT PROTECTION

Recycle unwanted materials instead of disposing of them as waste. All tools, accessories and packaging should be sorted, taken to a recycling centre and disposed of in a manner which is compatible with the environment. When the product becomes completely unserviceable and requires disposal, drain any fluids (if applicable) into approved containers and dispose of the product and fluids according to local regulations.

**Note:** It is our policy to continually improve products and as such we reserve the right to alter data, specifications and component parts without prior notice. Please note that other versions of this product are available. If you require documentation for alternative versions, please email or call our technical team on [technical@sealey.co.uk](mailto:technical@sealey.co.uk) or 01284 757505.

**Important:** No Liability is accepted for incorrect use of this product.

**Warranty:** Guarantee is 12 months from purchase date, proof of which is required for any claim.

Sealey Group, Kempson Way, Suffolk Business Park, Bury St Edmunds, Suffolk. IP32 7AR



01284 757500



01284 703534



[sales@sealey.co.uk](mailto:sales@sealey.co.uk)



[www.sealey.co.uk](http://www.sealey.co.uk)