

Thank you for purchasing a Sealey product. Manufactured to a high standard this product will, if used according to these instructions and properly maintained, give you years of trouble free performance.

**⚠ IMPORTANT: PLEASE READ THESE INSTRUCTIONS CAREFULLY. NOTE THE SAFE OPERATIONAL REQUIREMENTS, WARNINGS & CAUTIONS. USE THE PRODUCT CORRECTLY AND WITH CARE FOR THE PURPOSE FOR WHICH IT IS INTENDED. FAILURE TO DO SO MAY CAUSE DAMAGE AND/OR PERSONAL INJURY AND WILL INVALIDATE THE WARRANTY. PLEASE KEEP INSTRUCTIONS SAFE FOR FUTURE USE.**

## 1. SAFETY INSTRUCTIONS

- ❑ **WARNING! Before use, ensure that the motorcycle to be supported has a suitable structure and centre of gravity to accommodate the support pins without damaging the motorcycle. DO NOT use if the stand will foul on the exhaust or other vulnerable parts.**
- ✓ Maintain the stand in good condition (use an authorised service agent).
- ✓ Replace or repair damaged parts. *Use genuine parts only. Unauthorised parts may be dangerous and will invalidate the warranty.*
- ✓ Use a qualified person to lubricate and maintain the stand.
- ✓ Locate the stand in a suitable work area. Keep area clean and tidy and free from unrelated materials and ensure that there is adequate lighting. Also ensure that the floor is level and strong enough (preferably concrete) to take the weight of the stand and the bike. **DO NOT** operate the stand on tarmac/adam, as the surface may be unstable.
- ✓ Keep the stand clean for best and safest performance.
- ✓ The maximum bike weight is 300kgs. **DO NOT** exceed this rated capacity.
- ✓ Remove ill fitting clothing. Remove ties, watches, rings and other loose jewellery and contain long hair.
- ✓ Maintain correct balance and footing, do not over reach. Ensure that the floor is not slippery and wear non-slip shoes.
- ✓ Ensure that the bike is adequately secured to the stand with appropriate straps.
- ✓ Before lifting check that there are no overhead obstructions.
- ✓ Keep children and unauthorised persons away from the work area.
- x **DO NOT** use the stand for a task it is not designed to perform.
- x **DO NOT** operate the stand if damaged.
- x **DO NOT** exceed the rated capacity of the stand.
- x **DO NOT** operate the stand when you are tired or under the influence of alcohol, drugs or intoxicating medication.
- x **DO NOT** allow untrained persons to operate the stand.
- x **DO NOT** make any modifications to the stand.
- ✓ Before lowering the stand ensure that there are no obstructions underneath the motorcycle and that all persons are standing clear.
- ✓ Before storing, ensure that all parts are clean and free of grease and oil and the stand is fully lowered. Store stand in a safe area.

## 2. INTRODUCTION & SPECIFICATION

### 2.1 Introduction

The MC5905 Motorcycle Scissor Stand is suitable for use either on a motorcycle lift or on the floor. The unit is supplied with sliding pin carriers and three pairs of support pins. Raise by hand or with a 22mm socket.

### 2.2 Specification

<b>Model No:</b> .....	<b>MC5905.V2</b>
Capacity .....	300kg
Low Support Pin Minimum Height .....	180mm
Medium Support Pin Minimum Height .....	200mm
High Support Pin Minimum Height .....	220mm
Lift .....	335mm



## 3. CONTENTS

- 3.1 Unpack the stand and check contents. If there are any damaged or missing parts contact your supplier immediately.
- |                        |                         |
|------------------------|-------------------------|
| 1 x Scissor Stand      | 2 x Medium Support Pins |
| 2 x Sliding Saddles    | 2 x Long Support Pins   |
| 2 x Short Support Pins | 1 x Frame Cradle        |

## 4. OPERATING INSTRUCTIONS

- ❑ **WARNING! Ensure you read, understand and apply the safety instructions before use.**
  - ❑ **WARNING! Before use, ensure that the motorcycle has a suitable structure and centre of gravity to accommodate the stand support pins/frame cradle without damaging the bike.**  
**DO NOT use the stand if it will foul on the exhaust or other vulnerable parts. If necessary remove any lower fairing and ensure that the bike is stable on the stand before operating.**
  - ❑ **WARNING! The stand is raised by turning the grip manually or with a 22mm socket and/or wrench - DO NOT use a power tool.**
- 4.1 Position the bike in a suitable area, checking that the surface on which the stand will be placed is solid and flat (preferably concrete).
- 4.2 Ensure there is good access and clearance beneath the bike for the stand.
- 4.3 The stand can be also be used in conjunction with a motorcycle that is already raised on a motorcycle lift. Ensure that the stand is fully located on the lift platform.

- 4.4 Slide the two saddles over the upper steel platform of the stand.
- 4.5 Inspect the underside of the motorcycle for suitable support points, bearing in mind the centre of gravity of the motorcycle and which wheel is to be lifted from the ground.
- 4.6 Insert the appropriate support pins into the sockets of the sliding brackets.
- 4.7 Place the stand under the motorcycle in the approximate position required.
- 4.8 Turn the handle to raise the stand until the support pins are close to the intended points of contact on the underside of the motorcycle. Adjust the position of the stand and/or sliding brackets as necessary and proceed to raise the bike.
- 4.9 For additional security it is advisable to retain the motorcycle on the stand with suitable straps, especially if the motorcycle is already raised from the ground on a motorcycle lift.
- 4.10 When work is complete, check under the stand to ensure that there are no obstructions and that it is safe to lower the unit.
- 4.11 When the stand is fully lowered, ensure that the bike is standing on its wheels and is supported in the upright position.

## 5. MAINTENANCE

- 5.1 When the stand is not in use, store it in the lowered position.
- 5.2 Keep the stand clean and wipe off any oil or grease. Lubricate all moving parts with oil.
- 5.3 Before each use check all parts. If any part of the stand is damaged or defective, remove the stand from service and take the necessary action to remedy the problem.

**DO NOT** use the stand if it is believed to have been subjected to abnormal load or shock. Inspect and take appropriate action.

## 6. DECLARATION OF CONFORMITY

**MOTORCYCLE SCISSOR STAND**  
**Model: MC5905.V2**

98/37/EC Machinery Directive  
 93/68/EEC CE Marking Directive

**Declaration of Conformity** We, the sole importer into the UK, declare that the product listed here is in conformity with the following standards and directives.

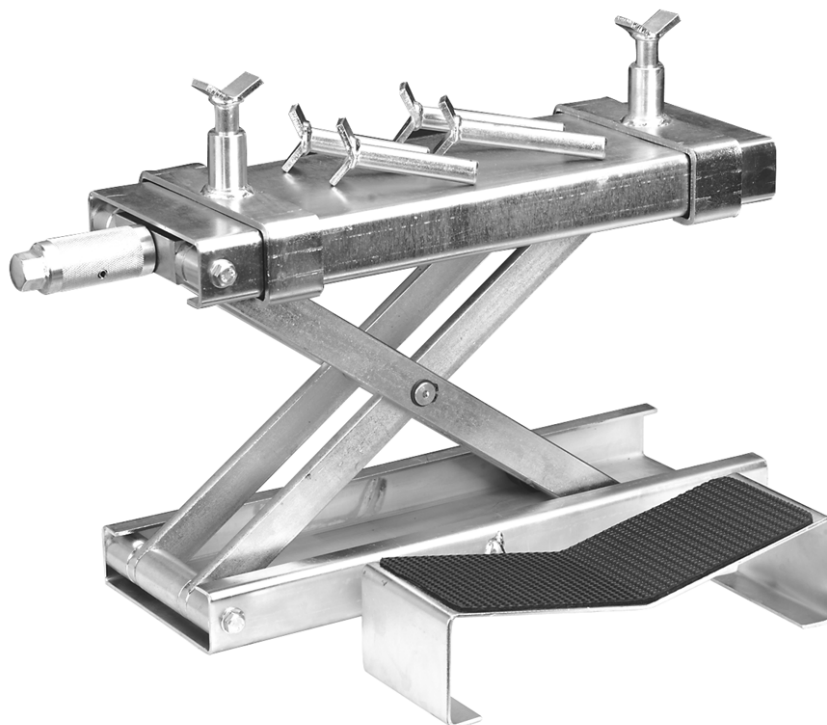


The construction file for this product is held by the Manufacturer and may be inspected, by a national authority, upon request to Jack Sealey Ltd.

Signed by Mark Sweetman

15th August 2006

For Jack Sealey Ltd. Sole importer into the UK of Sealey Quality Machinery.



**NOTE:** It is our policy to continually improve products and as such we reserve the right to alter data, specifications and component parts without prior notice.

**IMPORTANT:** No liability is accepted for incorrect use of this product.

**WARRANTY:** Guarantee is 12 months from purchase date, proof of which will be required for any claim.

**INFORMATION:** For a copy of our latest catalogue and promotions call us on 01284 757525 and leave your full name and address, including postcode.



Sole UK Distributor  
 Sealey Group,  
 Bury St. Edmunds, Suffolk.



01284 757500

01284 703534



[www.sealey.co.uk](http://www.sealey.co.uk)

[sales@sealey.co.uk](mailto:sales@sealey.co.uk)