

MODEL No's	MAJ25	MAJ10-35.V2	MAJ15-30.V2	MAJ15-80.V2	MAJ20-65.V2	MAJ30H.V2
------------	-------	-------------	-------------	-------------	-------------	-----------

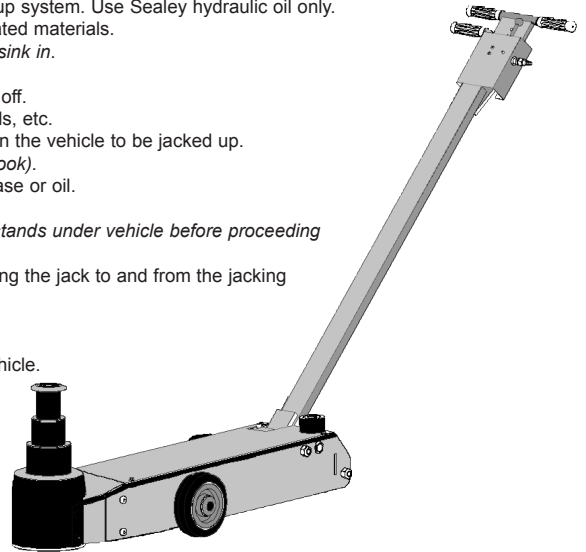
Thank you for purchasing a Sealey jack. Manufactured to a high standard this product will, if used according to these instructions and properly maintained, give you years of trouble free performance.



**IMPORTANT: READ THESE INSTRUCTIONS CAREFULLY. NOTE THE SAFE OPERATIONAL REQUIREMENTS, WARNINGS AND CAUTIONS. USE THIS JACK CORRECTLY AND WITH CARE FOR THE PURPOSE FOR WHICH IT IS INTENDED. FAILURE TO DO SO MAY CAUSE DAMAGE AND/OR PERSONAL INJURY, AND WILL INVALIDATE THE WARRANTY. RETAIN THESE INSTRUCTIONS FOR FUTURE USE.**

## 1. SAFETY INSTRUCTIONS

- ✓ Disconnect jack from air supply before changing parts, servicing or performing any maintenance.
- ❑ **WARNING!** Ensure correct air pressure is maintained and not exceeded. Recommended pressure 100-145psi. Required air flow 9.5cfm.
- ✓ Keep air hose away from heat, oil and sharp edges. Check air hose for wear before each use, and ensure that all connections are secure.
- ✓ Ensure Jack is kept clean and in good working order. Immediately repair or replace damaged parts.
- ✓ Use recommended parts only. Incorrect parts may be dangerous and will invalidate the warranty.
- ✓ Use a qualified person to lubricate and maintain the jack. DO NOT use brake fluid to top up system. Use Sealey hydraulic oil only.
- ✓ Locate jack in a suitable, well lit work area. Keep area clean and tidy and free from unrelated materials.
- ✓ Use jack on level & solid ground, preferably concrete. *Avoid tarmacadam since jack may sink in.*
- ✓ Place wedges under wheels of vehicle (*but ensure wheels of jack can freely move*).
- ✓ Ensure the vehicle handbrake is engaged (or in "PARKED" mode), and switch the engine off.
- ✓ Ensure minimum distance of 0.5m between vehicle tilt & static objects such as doors, walls, etc.
- ✓ Ensure all non essential persons keep a safe distance and that there are no passengers in the vehicle to be jacked up.
- ✓ Place jack under vehicle manufacturer's recommended jacking points (*see vehicle handbook*).
- ✓ Check that the jacking point is stable and centred on the jack saddle and is free from grease or oil.
- ✓ Ensure jack wheels are free to move and there are no obstructions.
- ▲ **DANGER:** Use jack for lifting only, NOT for supporting the jacked load. Use correct axle stands under vehicle before proceeding with task.
- ✗ DO NOT apply your body weight to the handle during jacking. The handle is only for moving the jack to and from the jacking location.
- ✗ DO NOT operate the jack if parts are missing or damaged.
- ✗ DO NOT exceed the rated capacity of the jack.
- ✗ DO NOT allow the vehicle to move during jacking and do not use the jack to move the vehicle.
- ✗ DO NOT jack a vehicle which may result in the spillage of fuel, battery acid, or dangerous substances.
- ✗ DO NOT work under the vehicle until Axle Stands have been correctly positioned.
- ✗ DO NOT use the jack for purposes other than which it is designed for.
- ✗ DO NOT adjust the safety overload valve.
- ✗ DO NOT yank the hose from the air supply, and DO NOT direct air from the air hose at yourself or others..
- ✓ Ensure there are no persons or obstructions beneath the vehicle before lowering.
- ✓ When not in use disconnect jack from the air supply, and store in the down position in a safe, dry, childproof area.
- ❑ **WARNING!** Turn off air supply and de-pressurise the control nozzle before removing the pump unit from any installation or mobile system. Failure to comply with this instruction may damage the unit and will invalidate your warranty.



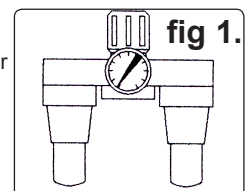
## 2. SPECIFICATIONS

Note: The maximum heights shown may be extended by use of the extension pin (fig 3A).

Model:	MAJ25	MAJ10-35.V2	MAJ15-30.V2	MAJ15-80.V2	MAJ20-65.V2	MAJ30H.V2
Max capacity	25Tonnes	35Tonnes	30Tonnes	80Tonnes	65Tonnes	30Tonnes
Min height	215mm	125mm	185mm	155mm	180mm	360mm
Max height/capacity:						
Stage 1 (mm/Tonnes)	423/25	240/30	375/30	313/80	358/60	710/30
Stage 2 (mm/Tonnes)		290/20	470/15	371/50	434/35	
Stage 3 (mm/Tonnes)		345/10		429/30	515/20	
Stage 4 (mm/Tonnes)			490/15			
Extension		60mm	100mm	100mm	100mm	100mm
Piston stroke	108mm	160mm	185mm	235mm	235mm	250mm
Length inc handle	1840mm	2085mm	2085mm	2090mm	2075mm	2000mm
Width	280mm	280mm	280mm	317mm	317mm	280mm
Working Pressure	100-145psi	100-145psi	100-145psi	100-145psi	100-145psi	100-145psi
Required air flow	9.5cfm	9.5cfm	9.5cfm	9.5cfm	9.5cfm	9.5cfm
Weight	47kg	41kg	47kg	71kg	70kg	78kg

## 3. AIR SUPPLY

- 3.1. Ensure that the jack pneumatic switch is in the "off" position before connecting to the air supply.
- 3.2. You will require an air pressure of more than 100psi (max 145psi) and an air flow of 9.5cfm to get the best performance from this jack.
- 3.3. ❑ **WARNING!** Ensure the air supply does not exceed 145psi while operating the jack. Too high an air pressure and unclean air will shorten the products life due to excessive wear, and may be dangerous causing possible damage and personal injury.
- 3.4. Drain the air tank daily. Water in the air line will damage the jack.
- 3.5. Clean the air inlet filter screen weekly.
- 3.6. Keep the air hose between the compressor and the air jack as short as possible, and install an air filter and oiler (fig 1).
- 3.7. Line pressure should be increased to compensate for unusually long air hoses (over 8 metres). The minimum hose diameter should be 3/8" I.D. and fittings must have the same inside dimensions.
- 3.8. Keep hose away from heat, oil and sharp edges. Check hoses for wear, and make certain that all connections are secure.



## 4. INTRODUCTION & ASSEMBLY

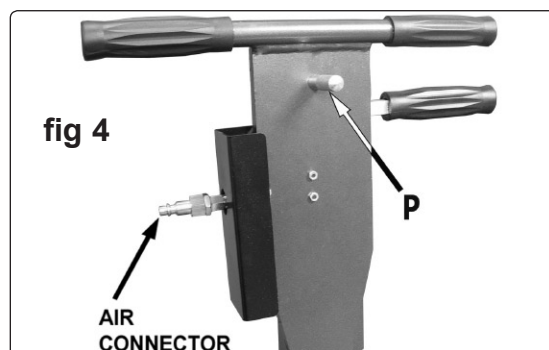
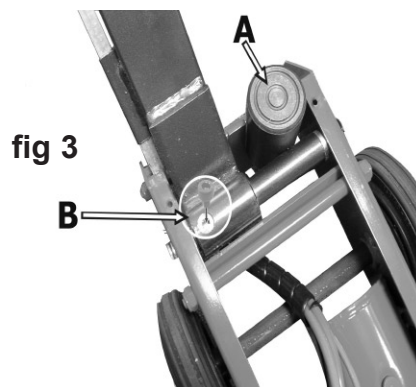
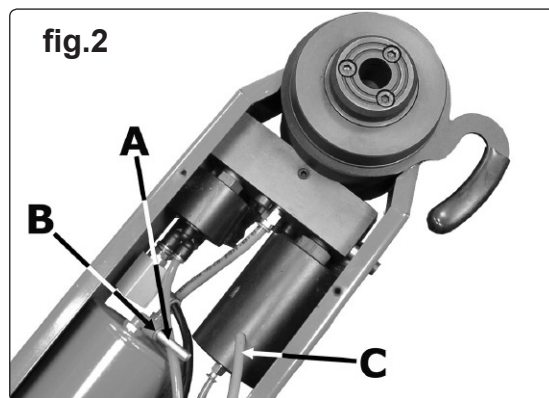
### 4.1. Introduction.

Powerful and reliable, this jack is ideal for workshop or roadside use, taking the effort out of lifting heavy plant, tractors and commercial vehicles. The jack features a pneumatic 'deadman' control lever, as indicated in fig.6, which automatically returns to the 'off' position when the lever is released. The jack is supplied with one spacer to close the gap between the saddle of the jack and the jacking point. The spacer can be stowed in a special holder on the frame of the jack so that it is always readily available for use (See fig.3-A). The jack has a multi-position handle, as indicated in fig.5, which will lock in three different positions, horizontal (4), 45° (3), and vertical (2) and may be fully collapsed for transit and storage (1).

### 4.2. Assembly

Ensure the jack is not connected to the air supply before performing the following.

- 4.2.1. Before operating the jack, remove the four screws from the cover and lift the cover off the base unit. Remove the metal rod (fig. 2A) which is inserted into connector 'B'. To do this you will need to press and hold down the rim of connector 'B' before you can withdraw the rod. Take the end of the disconnected blue plastic tube as shown in fig.2-C which will be found beneath the cover and fully insert it into connector 'B'. (Fig.2 shows the internal arrangement of Model MAJ15-30. Other models, may vary slightly in layout but will still require the same connection procedure).
- 4.2.2. Screw the floor stop pin (fig.4-P) into the under side of the handle plate.
- 4.2.3. With the handle in position No.4 (fig. 5) screw bolt and washer into position at the base of the handle (See fig.3-B). With this bolt in position the handle movement is restricted to positions 2,3 & 4. If position 1 is required for storage or transit purposes it will be necessary to remove the bolt.



## 5. OPERATING INSTRUCTIONS

### 5.1. Preparation before use.

- 5.1.1. You will require an air pressure of more than 100PSI, (max 145PSI) and an air flow of 9.5 cfm to operate jack.
- 5.1.2. Connect the air supply hose (fig 4.0).
- 5.1.3. Set the handle to the required angle using the handle release lever shown in fig. 6 Pull the lever upwards towards the main handle. Move the handle to the required position (fig. 5) and release the lever to lock it into position.

### 5.2. Eliminate any air in the system.

- Before using the jack, purge the hydraulic circuit in order to eliminate any possible air that may have entered the system during transit.
- 5.2.1. Push the control lever (fig.6) to the 'down' position and hold it there for several seconds. Release the lever to the centre 'hold' position.
  - 5.2.2. Now push the lever to the 'up' position and hold it there until the jack is fully extended. Push the lever to the 'down' position and watch the jack as it retracts. The lowering movement should be smooth and without irregular stops.
  - 5.2.3. Repeat the raising and lowering cycle until the movement is smooth. Once this has been achieved this indicates that all air has been expelled.

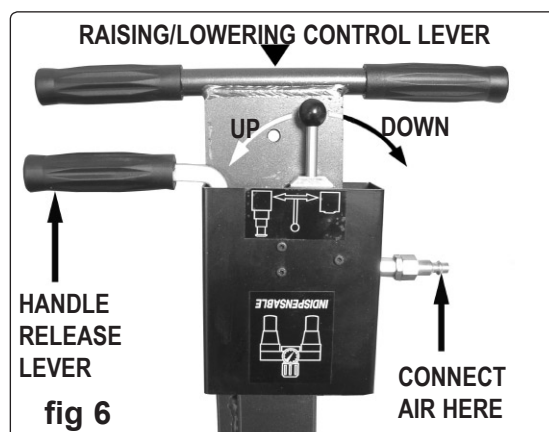
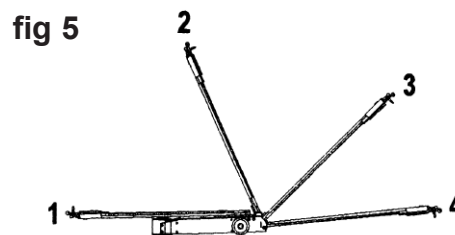
### 5.3. Using the jack.

**WARNING!** ensure you have read and understood the safety instructions in chapter 1 before commencing work.

- 5.3.1. Position the Jack under the vehicle manufacturer's recommended jacking point (see vehicle hand book).
- 5.3.2. Whilst holding the main jack handle lifting is achieved by pushing the control lever (fig.6) to your right.
- 5.3.3. When the vehicle has reached the desired height release the control lever which will automatically return to the middle hold position stopping any further air flow holding the jack at the height to which it has been raised.
- 5.3.4. Place axle stands correctly in position and ensure chapter 1 safety instructions are strictly applied before performing any task.

### 5.4. Lowering the jack.

- 5.4.1. Ensure there are no persons or obstruction beneath the vehicle before lowering, and remove any axle stands.
- 5.4.2. Whilst holding the main jack handle lowering is achieved by pushing the control lever to your left, and the jack will lower in a controlled manner.
- 5.4.3. Once completely lowered releasing the control lever will return it to the middle hold position. Remove the jack from under the vehicle. If you have finished using the jack, turn the air pressure supply off and disconnect the jack from the air line and store the jack and air line accordingly.



## 6. MAINTENANCE

**IMPORTANT: Only fully qualified personnel should attempt maintenance or repair.**

- WARNING!** Disconnect jack from air supply before changing parts, servicing or performing any maintenance.
- 6.1. When the jack is not in use, the ram must be in the lowest position to minimise corrosion.
- 6.2. Keep the jack clean and lubricate all moving parts, and the air intake connector with air tool oil on a regular basis.
- 6.3. To check oil level, fully lower jack. Remove the filler plug/dipstick. The oil level should be between the two marks on the dipstick. Top up the oil level if necessary but do not overfill as the jack will become inoperative. If inadvertently overfilled the excess oil should be poured off. After topping up or pouring off excess oil it may become necessary to purge air from the unit. See section 5.2.  
**NOTE:** Use a good quality Jack oil, such as SEALEY HYDRAULIC JACK OIL.  
 **WARNING!** *DO NOT use brake fluid, or any fluid other than hydraulic jack fluid as this may cause serious damage to the Jack and will invalidate the warranty!*  
**WARNING!** wear safety goggles.
- 6.4. Ensure the air filter located in the air valve is cleaned in the same manner.
- 6.5. Should the piston not rise and the oil level and operation is correct, this may indicate a problem with air seeping into the hydraulic valve passage. Purge any air from the system. See section 5.2.
- 6.6. Confirm that the piston can rise to the highest position.
- 6.7. Before each use check for broken, cracked, bent, or loose parts. Or any visible damage to welds, ram, pump, saddle, air connector, levers, frame and all parts including nuts, bolts, pins and other fasteners. If any suspect item is found remove jack from service and take necessary action to remedy the problem.  
DO NOT use the jack if believed to have been subjected to abnormal load or shock. Inspect and take appropriate action.
- 6.8. Every three months remove the locking rings on the caster wheels and lubricate the ball bearings with acid free grease.
- 6.9. After a year of extensive use, the oil should be replaced in order to extend the life of your equipment. To drain the oil, remove the filler plug and valve. Make sure that no dirt is allowed to enter the hydraulic system's See 6.3. for refilling instructions.
- 6.10. Periodically check the pump piston and piston rod for signs of corrosion. Clean exposed areas with a clean oiled cloth.

## 7. TROUBLESHOOTING

PROBLEM	POSSIBLE CAUSE	REMEDY
Vehicle does not lift but pump is OK	<ol style="list-style-type: none"> <li>1. Oil exhausted.</li> <li>2. Air in hydraulic system.</li> <li>3. Defective suction or delivery valves.</li> <li>4. Defective packing or O-ring.</li> <li>5. Poor oil quality.</li> </ol>	<ol style="list-style-type: none"> <li>1. Supply oil.</li> <li>2. Drain air by opening cap plug of suction and delivery valves.</li> <li>3. Clean clogged valve.</li> <li>4. Replace.</li> <li>5. Replace oil.</li> </ol>
Air pump does not operate.	<ol style="list-style-type: none"> <li>1. Insufficient compressor power.</li> <li>2. Pump oil used up.</li> </ol>	<ol style="list-style-type: none"> <li>1. Use a larger compressor.</li> <li>2. Dismantle the pump and coat it with soft quality non acid grease or lubricate air valve.</li> </ol>
Vehicle stops before lift is completed.	<ol style="list-style-type: none"> <li>1. Hydraulic oil is insufficient.</li> </ol>	<ol style="list-style-type: none"> <li>1. Supply oil.</li> </ol>
Jack lowers or does not hold vehicle in the raised position.	<ol style="list-style-type: none"> <li>1. Defective suction, delivery, release or safety valve.</li> <li>2. Defective piston packing.</li> </ol>	<ol style="list-style-type: none"> <li>1. Clean and adjust valve.</li> <li>2. Replace packing.</li> </ol>
Lifting is too slow	<ol style="list-style-type: none"> <li>1. Air leakage due to worn servo-valve.</li> </ol>	<ol style="list-style-type: none"> <li>1. Replace servo-valve.</li> </ol>
Pump continues to operate when the air valve is closed.	<ol style="list-style-type: none"> <li>1. Air valve will not close.</li> </ol>	<ol style="list-style-type: none"> <li>1. Replace valve.</li> </ol>

**IMPORTANT: NO RESPONSIBILITY IS ACCEPTED FOR INCORRECT USE OF THE MACHINE.**

*Air / Hydraulic products are only repaired by local service agents. We have service/repair agents in all parts of the UK. **DO NOT RETURN JACKS TO US.** Please telephone us on 01284 757500 to obtain the address and phone number of your local agent. If jack is under guarantee please contact your dealer.*

### De-commissioning the Jack

Should the jack become completely unserviceable and require disposal, draw off the oil into an approved container and dispose of the jack and the oil according to local regulations.

**Parts support is available for these products. To obtain a parts listing and/or diagram, please log on to [www.sealey.co.uk](http://www.sealey.co.uk), email [sales@sealey.co.uk](mailto:sales@sealey.co.uk) or phone 01284 757500.**

**NOTE:** It is our policy to continually improve products and as such we reserve the right to alter data, specifications and component parts without prior notice.

**IMPORTANT:** No liability is accepted for incorrect use of this product.

**WARRANTY:** Guarantee is 12 months from purchase date, proof of which will be required for any claim.

**INFORMATION:** For a copy of our latest catalogue and promotions call us on 01284 757525 and leave your full name and address, including postcode.



**Sole UK Distributor, Sealey Group,**  
Kempson Way, Suffolk Business Park,  
Bury St. Edmunds, Suffolk,  
IP32 7AR



01284 757500



[www.sealey.co.uk](http://www.sealey.co.uk)



01284 703534



[sales@sealey.co.uk](mailto:sales@sealey.co.uk)

Original Language Version

MAJ25, MAJ10-35.V2, MAJ15-30.V2,  
MAJ15-80.V2, MAJ20-65.V2, MAJ30H.V2

Issue 3 - 18/02/10