

Thank you for purchasing a Sealey product. Manufactured to a high standard of dependability it will, if correctly used and maintained, give you years of trouble free performance.



IMPORTANT
 READ THESE INSTRUCTIONS CAREFULLY. NOTE THE SAFE OPERATIONAL REQUIREMENTS, WARNINGS AND CAUTIONS. USE THIS ADJUSTER CORRECTLY AND WITH CARE, FOR THE PURPOSE FOR WHICH IT IS INTENDED. FAILURE TO DO SO MAY CAUSE DAMAGE AND/OR PERSONAL INJURY AND WILL INVALIDATE THE WARRANTY.

1. SAFETY PRECAUTIONS

- ✓ Ensure the load sling adjuster is in sound condition and good working order. Take action for immediate repair or replacement of damaged parts. *Use recommended parts only. The use of improper parts may be dangerous and will invalidate the warranty.*
- ✓ Ensure that the adjuster is capable of supporting the load that is to be raised. Maximum capacity 500kg.
- ✓ Keep the adjuster clean for best and safest performance.
- ✓ Only use the adjuster in a suitable, well-lit work area.
- ✓ Keep work area clean and tidy and free from unrelated materials.
- ✓ Ensure all non-essential persons keep at a safe distance whilst the adjuster is in use.
- ✓ Ensure load sling(s) are fully engaged in load hooks.
- ✓ Raise and lower the load in a smooth, controlled manner.
- ☐ **DANGER:** Use the adjuster for lifting only, NOT for supporting the lifted load.
- ✓ Use a qualified person to lubricate and maintain the adjuster.
- ✗ **DO NOT** use the adjuster if damaged.
- ✗ **DO NOT** allow untrained persons to operate the adjuster.
- ✗ **DO NOT** exceed the rated capacity (safe working load) of the adjuster.
- ✗ **DO NOT** raise or lower the load with jerky or abrupt movements.
- ✗ **DO NOT** attempt to lift a load if the load chains are kinked or knotted.
- ✗ **DO NOT** shock load the adjuster by allowing the attached load to fall freely, even for very short distances.
- ✗ **DO NOT** use the adjuster to drag the load across the floor. Always position the load directly below the adjuster.
- ✗ **DO NOT** allow anyone to stand, or pass, beneath the raised load.
- ✗ **DO NOT** use the adjuster for purposes other than that for which it is intended.
- ✓ Store adjuster in a dry, childproof area when not in use.

2. SAFE WORKING LOAD

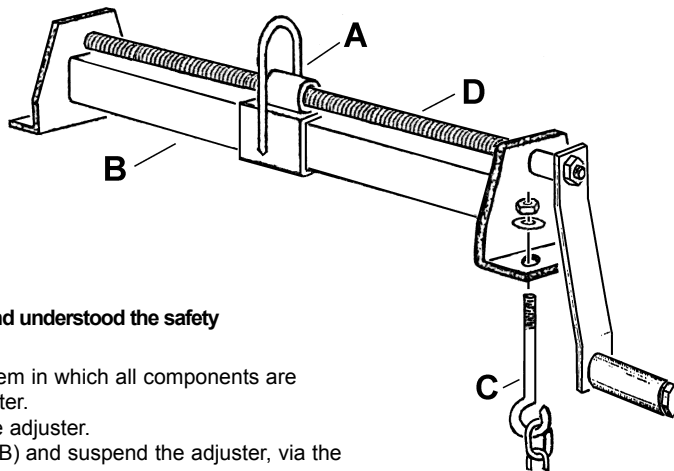
LS500
Safe Working Load = 500kg

3. OPERATING INSTRUCTIONS

IMPORTANT Before using the load sling adjuster ensure that you have read and understood the safety instructions in Section 1.

- 3.1. Ensure that the load sling adjuster is suspended from a lifting system in which all components are capable of supporting the load to be lifted plus the load sling adjuster.
- 3.2. Confirm that the load does not exceed the safe working load of the adjuster.
- 3.3. Position the carriage (A) approximately at the centre of the beam (B) and suspend the adjuster, via the carriage, from the hook or shackle of the lifting device.
- 3.4. Ensure that slings/chains/ropes around load are adequate and in good condition and that the load is directly below the adjuster.
- 3.5. Attach slings/chains/ropes to adjuster load hooks (C).
- 3.6. Start to raise load and check whether the adjuster beam remains level. If it does not, **lower the load** and adjust the carriage towards the end of the beam which was low. Repeat this check and adjustment until beam lifts horizontally.

Note: **DO NOT** attempt to reposition the carriage when the adjuster is under load.



4. MAINTENANCE & INSPECTION

NOTE: Only fully qualified personnel should attempt maintenance or repair.

- 4.1. Keep the load sling adjuster clean and regularly lubricate the threaded rod (D).
- 4.2. Carry out a visual inspection every time the adjuster is used.
- ☐ **WARNING!** The load chains and hooks are manufactured from special alloy steels and precisely heat treated. **DO NOT** weld or re-heat treat.
- 4.3. Depending upon the frequency of use and local conditions the adjuster will eventually show signs of wear at which point it should be replaced. Overloading or incorrect hooking may distort the hooks and/or increase the hook opening. If this occurs replace the hook(s) immediately.

NOTE: It is our policy to continually improve products and as such we reserve the right to alter data, specifications and component parts without prior notice.

IMPORTANT: No liability is accepted for incorrect use of product. **WARRANTY:** Guarantee is 12 months from purchase date, proof of which will be required for any claim.

INFORMATION: For a copy of our latest catalogue and promotions call us on 01284 757525 and leave your full name and address, including postcode.