



# 30,000-68,000BTU/HR (9-20KW) 2-IN-1 CORDLESS/CORDED SPACE WARMER® PROPANE HEATER

MODEL NO: LP69C

Thank you for purchasing a Sealey product. Manufactured to a high standard, this product will, if used according to these instructions, and properly maintained, give you years of trouble free performance.

**IMPORTANT:** PLEASE READ THESE INSTRUCTIONS CAREFULLY. NOTE THE SAFE OPERATIONAL REQUIREMENTS, WARNINGS & CAUTIONS. USE THE PRODUCT CORRECTLY AND WITH CARE FOR THE PURPOSE FOR WHICH IT IS INTENDED. FAILURE TO DO SO MAY CAUSE DAMAGE AND/OR PERSONAL INJURY AND WILL INVALIDATE THE WARRANTY. KEEP THESE INSTRUCTIONS SAFE FOR FUTURE USE.



Refer to instructions



Hot surfaces



Not for residential use



Electric shock Hazard



Do Not cover



Keep Dry

## 1. SAFETY

This product is not suitable for primary heating purposes.

### 1.1. ELECTRICAL SAFETY

- ❑ **WARNING!** It is the user's responsibility to check the following:

1.1.1. Check all electrical equipment and appliances to ensure that they are safe before using. Inspect power supply leads, plugs and all electrical connections for wear and damage. Sealey recommend that an RCD (Residual Current Device) is used with all electrical products. You may obtain an RCD by contacting your local Sealey stockist.

1.1.2. If the product is used in the course of business duties, it must be maintained in a safe condition and routinely PAT (Portable Appliance Test) tested.

**Electrical safety information**, it is important that the following information is read and understood.

1.1.3. Ensure that the insulation on all cables and on the appliance is safe before connecting it to the power supply.

1.1.4. Regularly inspect power supply cables and plugs for wear or damage and check all connections to ensure that they are secure.

**Important:** Ensure that the voltage rating on the appliance suits the power supply to be used and that the plug is fitted with the correct fuse - see fuse rating in these instructions.

- × **DO NOT** pull or carry the appliance by the power cable.
- × **DO NOT** pull the plug from the socket by the cable.
- × **DO NOT** use worn or damaged cables, plugs or connectors. Ensure that any faulty item is repaired or is replaced immediately by a qualified electrician.

This product is fitted with a BS1363/A 3 pin plug.

If the cable or plug is damaged during use, switch off the electricity supply and remove from use.

Ensure that repairs are carried out by a qualified electrician.

Replace a damaged plug with a BS1363/A 3 pin plug. If in doubt contact a qualified electrician.

- Connect the GREEN/YELLOW earth wire to the earth terminal 'E'.
- Connect the BROWN live wire to the live terminal 'L'.
- Connect the BLUE neutral wire to the neutral terminal 'N'.

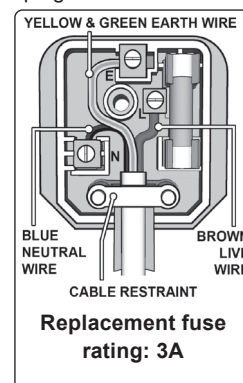
Ensure that the cable outer sheath extends inside the cable restraint and that the restraint is tight.

Sealey recommend that repairs are carried out by a qualified electrician.

1.1.5. If an extension reel is used it should be fully unwound before connection. A reel with an RCD fitted is preferred since any appliance plugged into it will be protected. The cable core section is important and should be at least 1.5mm<sup>2</sup>, but to be absolutely sure that the capacity of the reel is suitable for this product and for others which may be used in the other output sockets, we recommend the use of 2.5mm<sup>2</sup> section cable.

### 1.2. GENERAL SAFETY

- ❑ **WARNING!** Disconnect heater from mains electrical supply and gas cylinder before servicing or performing maintenance. Replace or repair damaged parts. Use genuine parts only. Unauthorised parts may be dangerous and will invalidate the warranty.
- ❑ **WARNING: DO NOT** use for heating of habitable areas of domestic premises or for use in public buildings, refer to national regulations.
- ❑ **WARNING: DO NOT** use in basements or areas below ground.
- ✓ Use only in a well ventilated area and away from combustible materials.
- ✓ Store gas cylinders in accordance with regulations applicable to such appliances.
- ✓ Ensure that nothing stands or passes in front of the heater. Mandatory minimum distance from the heater is 2 metres at the front.
- ✓ Only use the propane gas pressure regulator and hose assembly supplied with the heater, without alteration.
- ✓ Only use outdoors or in well ventilated surroundings in a well ventilated area away from combustible materials.
- ✓ Ensure continuous ventilation is provided to the heater operating area. A ventilation opening must run to the outside of the premises where the heater is to be operated. The opening must be 100cm<sup>2</sup> for every kW and must also be set at an equal distance from the upper and lower parts of the heater operating area.
- ❑ **WARNING:** If the heater is used for prolonged periods at maximum power, ice may form on the propane cylinder. This is because of excessive evaporation. In such a case **DO NOT** use the heater to de-ice the cylinder.
- ❑ **WARNING:** If the smell of gas is present, isolate the gas cylinder immediately and investigate the reason before re-connecting it.
- × **DO NOT** use the heater if damaged. Take immediate action to repair or replace damaged parts. Use an authorised service agent only.
- × **DO NOT** use the heater for residential use or in recreational vehicles.
- × **DO NOT** allow untrained persons to ignite the heater.



- × **DO NOT** operate the heater without the cover.
- × **DO NOT** use a naked flame to try and ignite the heater.
- × **DO NOT** use the heater near flammable, combustible or explosive materials - liquids, solids or gases.
- × **DO NOT** leave the heater unattended whilst in use.
- × **DO NOT** obstruct the air inlet and outlet sections of the heater. Keep immediate area clean and tidy.
- × **DO NOT** point the heater towards the gas cylinder.
- × **DO NOT** cover the heater whilst in use or immediately afterwards if not cooled off.
- ✓ Keep children and vulnerable people away from the heater.
- ✓ Keep the heater clean and in good working order.
- ✓ Ensure that the heater is correctly turned off and the gas source isolated when not in use.
- ✓ When not in use for any length of time, store heater in a safe, dry, childproof location.

**NOTE:** This appliance can be used by children aged from 8 years and above and persons with reduced physical, sensory or mental capabilities or lack of experience and knowledge if they have been given supervision or instruction concerning use of the appliance in a safe way and understand the hazards involved. Children shall not play with the appliance. Cleaning and user maintenance shall not be made by children without supervision.

## 2. INTRODUCTION

Many users have found the advantages of propane heaters far outweigh the small additional running costs, as the fuel is more completely burned and does not leave an oily residue as experienced with paraffin, kerosene or diesel heaters. There is no odour, except for the few seconds during start-up and the units run a little more quietly since they do not need a compressor to drive the fuel to the burner. Durable paint finish. Fan assisted, fitted with a piezoelectric ignition system for trouble-free starting and features a direct gas head assembly. Features safety solenoid preventing the unit from leaking gas without first being electrically started. Supplied with an approved propane gas regulator and hose. To run cordless requires compatible 20V battery and mains charger, sold separately. CP20VBP4 (4Ah), CP20VBP6 (6Ah), CP20VMC (Mains Charger). Tested and certified to CE/EN standards. Manufactured to BS EN 1596.

## 3. SPECIFICATION

<b>MODEL NO.....</b>	<b>LP69C</b>
Output.....	30,000-68,000Btu/hr
Airflow.....	294cfm
Appliance category.....	I3B/P, I3P
Fuel consumption.....	0.65-1.45kg/hr
Gas type:.....	Propane (G31)
Gas supply pressure.....	700mbar
IP rating.....	IPX4
Power.....	13W
Supply.....	20V
Electrical fuse rating.....	3A
Heated area.....	350m <sup>3</sup>

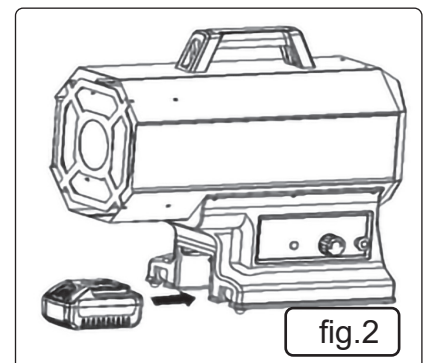
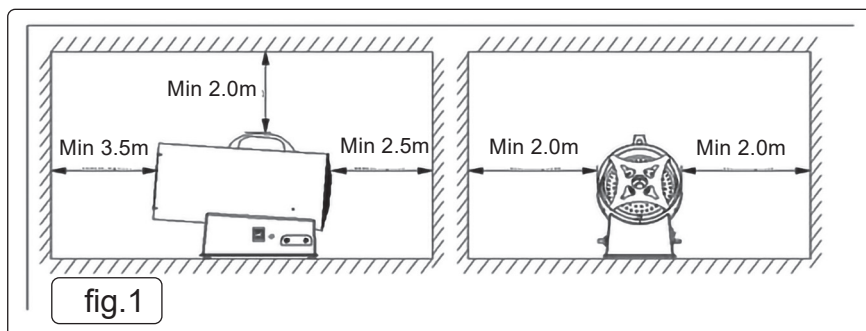
## 4. INSTALLATION

**NOTE:** If a small gas cylinder is used, the heater may not operate at maximum efficiency. It is recommended to use two or more cylinders linked in parallel, to achieve maximum continuous efficiency.

### 4.1. CONNECTIONS

- 4.1.1. Check heater and gas cylinder to ensure that they are both in good condition. If not, stop and contact your supplier immediately.
  - 4.1.2. Site the heater and gas cylinder in the location to be heated.
  - 4.1.3. Connect the heaters mains charger to an electrical supply outlet, ensuring that both units are earthed correctly or insert battery.
  - 4.1.4. Connect the gas supply hose to the pressure regulator, and connect the regulator to the gas cylinder. Note: Left hand threads are used on these fuel gas fittings.
  - 4.1.5. Connect the other end of the gas supply hose to the heater's gas inlet connection (fig.2). Ensure all connections are tight.
  - 4.1.6. Gradually open the tap of the gas cylinder. Check hose and all fittings for gas leaks. Close gas tap if gas is present.
- WARNING! DO NOT USE A NAKED FLAME** to check for leaks, we recommend the use of a foamy soap solution.
- 4.2. Locate heater such that the rear intake is at least 2.5m from the nearest obstruction, there is at least 2m space on each side and a minimum of 3.5m of space in front of it (fig.1)

**IMPORTANT:** To ensure continuous ventilation to the heater area, a ventilation opening must connect to the outside of the premises where the heater is to operate. The opening must be 100cm<sup>2</sup> for every kW, and must be set at an equal distance from the upper and lower parts of heater operating area.



## 5. OPERATION

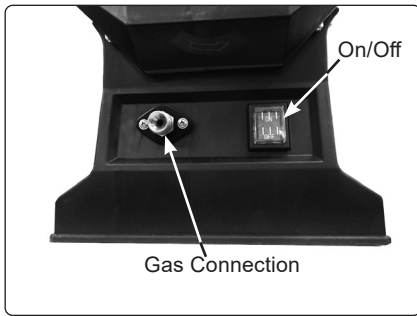


fig.3

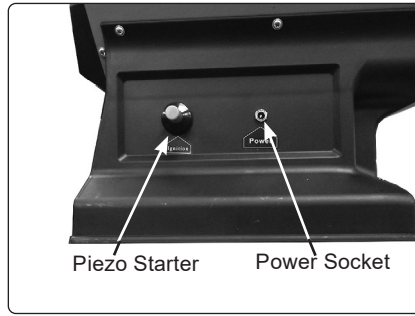


fig.4

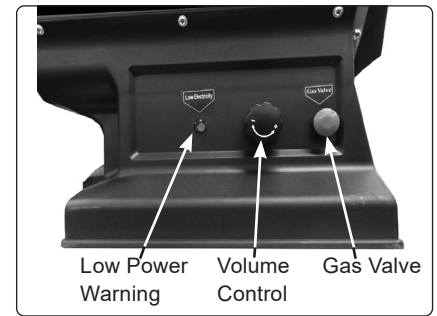


fig.5

### 5.1. SWITCHING THE HEATER ON

- 5.1.1. Switch on/off switch (fig.3) to 'On'. Check that the fan is running.
- 5.1.2. With the gas supply on (Section 4.1.6) and the Gas Valve (fig.5) depressed, click the piezo igniter button (fig.4) repeatedly until the gas is heard to ignite.
- 5.1.3. After ignition, keep the gas valve button depressed for at least 10 seconds and then release.
- 5.1.4. The flame should stay lit at this point. If it does not hold, repeat from 5.1.2.

### 5.2. SWITCHING THE HEATER OFF

- 5.2.1. Close the tap on the gas bottle to isolate the gas supply.
- 5.2.2. Allow the fan to run for at least 30 seconds after the flame has extinguished before switching off.
- 5.2.3. When the heater is not in use, disconnect it from electrical and gas supply and store it in a safe, dry, childproof location.
  - ❑ **WARNING!** If the flame shuts down during operation, before repeating the ignition sequence, make sure that the fan is not jammed, and the air inlet and outlet are completely free of obstructions. If it is due to overheating, the cause of the problem must be determined and corrected before repeating the ignition procedure.

## 6. MAINTENANCE

- ❑ **WARNING** Before commencing service or maintenance, disconnect the heater from the electrical and gas supplies and allow to cool fully. Use authorised parts only. Unauthorised parts may be dangerous and will invalidate the warranty. Should the heater require service or maintenance, a suitably qualified engineer should carry this out or contact your local Sealey service agent.
- 6.1. Check the gas supply hose and gas regulator condition regularly, change if necessary using only original spare parts.
- 6.2. Clean the heater with a damp cloth, **DO NOT** use abrasive or solvent or abrasive cleaners.
  - ❑ **WARNING: AIR CONTAMINANTS**  
 Air contaminants taken into the heater will damage the unit, cause health problems and safety issues.  
 For example: Body shop filler dust and overspray dust will clog the burner diffuser, contaminate the combustion chamber and damage the internal parts of the heater. If contaminants are present the heater must be supplied with ducted clean air.  
 Please note that any parts damaged by filler dust or overspray dust will not be covered by warranty. Additionally a cleaning charge will be made for any heaters damaged by filler dust or overspray dust.

## 7. TROUBLESHOOTING

PROBLEM	POSSIBLE CAUSE	SOLUTION
Fan motor does not work.	<ol style="list-style-type: none"> <li>1. There is no electrical supply.</li> <li>2. The motor has locked.</li> <li>3. Fan blades bent or in contact with housing.</li> </ol>	<ol style="list-style-type: none"> <li>1. Check mains power supply, mains charger, wire, plug, fuse.</li> <li>2. Unlock the motor with an appropriate tool.</li> <li>3. Check housing for damage, straighten blades.</li> </ol>
Ignitor does not spark.	<ol style="list-style-type: none"> <li>1. Electrode has the wrong gap.</li> <li>2. Faulty connection.</li> <li>3. Corroded electrode.</li> </ol>	<ol style="list-style-type: none"> <li>1. Check and reset the electrode gap to 4mm.</li> <li>2. Inspect and connect correctly the ignitor and the electrode.</li> <li>3. Replace ignition electrode.</li> </ol>
No gas flow to the burner.	<ol style="list-style-type: none"> <li>1. The cylinder gas tap is closed.</li> <li>2. The cylinder is empty.</li> <li>3. Gas leaks from the supply.</li> </ol>	<ol style="list-style-type: none"> <li>1. Open the gas tap.</li> <li>2. Replace with a full cylinder.</li> <li>3. Remove and clean the nozzle, check for leaks by using a foamy soap only - <b>DO NOT USE FLAME</b> to find leak.</li> </ol>
The burner starts, but stops as the gas control knob is released.	<ol style="list-style-type: none"> <li>1. The thermocouple is not warm enough.</li> <li>2. The safety override has activated because the fan does not work.</li> </ol>	<ol style="list-style-type: none"> <li>1. Repeat the ignition sequence, keeping the control knob pushed in for a longer time.</li> <li>2. See above - Fan motor does not work.</li> </ol>
The heater stops during operation	<ol style="list-style-type: none"> <li>1. Excessive gas supply.</li> <li>2. Insufficient gas due to ice formation on the cylinder.</li> <li>3. Temperature inside heater is too high.</li> <li>4. Dust or debris accumulated in heater.</li> </ol>	<ol style="list-style-type: none"> <li>1. Check the pressure regulator, replace if necessary.</li> <li>2. Check and if necessary use a larger gas cylinder or multiple cylinders connected in parallel.</li> <li>3. Keep area around heater inlet clear of obstructions.</li> <li>4. Clean inside of heater.</li> </ol>



#### ENVIRONMENT PROTECTION

Recycle unwanted materials instead of disposing of them as waste. All tools, accessories and packaging should be sorted, taken to a recycling centre and disposed of in a manner which is compatible with the environment. When the product becomes completely unserviceable and requires disposal, drain any fluids (if applicable) into approved containers and dispose of the product and fluids according to local regulations.



#### WEEE REGULATIONS

Dispose of this product at the end of its working life in compliance with the EU Directive on Waste Electrical and Electronic Equipment (WEEE). When the product is no longer required, it must be disposed of in an environmentally protective way. Contact your local solid waste authority for recycling information.

**Note:** It is our policy to continually improve products and as such we reserve the right to alter data, specifications and component parts without prior notice.

**Important:** No Liability is accepted for incorrect use of this product.

**Warranty:** Guarantee is 12 months from purchase date, proof of which is required for any claim.

**Sealey Group, Kempson Way, Suffolk Business Park, Bury St Edmunds, Suffolk. IP32 7AR**



**01284 757500**



**01284 703534**



**sales@sealey.co.uk**



**www.sealey.co.uk**



## Information requirements for gaseous/liquid fuel local space heaters

Model identifier(s): LP69C.V1										
Indirect heating functionality:    Yes            No <input checked="" type="checkbox"/>										
Direct heat output:    30            (kW)				Indirect heat output:    N/a            (kW)						
<b>Fuel</b>						Space heating emissions NO <sub>x</sub> nitrogen oxides				
Select fuel type:	Gaseous <input checked="" type="checkbox"/> Liquid		Specify: G30		120.41 [mg/kWh <sub>input</sub> ] (GCV)					
Item	Symbol	Value	Unit	Item	Symbol	Value	Unit			
<b>Heat output</b>				<b>Useful efficiency (NCV)</b>						
Nominal heat output	$P_{nom}$	30	kW	Useful efficiency at nominal heat output	$\eta_{th,nom}$	100	%			
Minimum heat output (indicative)*	$P_{min}$	18	kW	Useful efficiency at minimum heat output (indicative)*	$\eta_{th,min}$	100	%			
<b>Auxiliary electricity consumption</b>				<b>Type of heat output/room temperature control (select one)</b>						
At nominal heat output	$el_{max}$	N/a	kW	Single stage heat output, no room temperature control	Yes	No <input checked="" type="checkbox"/>				
At minimum heat output	$el_{min}$	N/a	kW	Two or more manual stages, no room temperature control	Yes <input checked="" type="checkbox"/>	No				
In standby mode	$el_{SB}$	N/a	kW	With mechanical thermostat room temperature control	Yes	No <input checked="" type="checkbox"/>				
* Enter figure or NA				With electronic room temperature control	Yes	No <input checked="" type="checkbox"/>				
				With electronic room temperature control plus day timer	Yes	No <input checked="" type="checkbox"/>				
				With electronic room temperature control plus week timer	Yes	No <input checked="" type="checkbox"/>				
				<b>Other control options (multiple selections possible)</b>						
				Room temperature control, with presence detection	Yes	No <input checked="" type="checkbox"/>				
				Room temperature control, with open window detection	Yes	No <input checked="" type="checkbox"/>				
				With distance control option	Yes	No <input checked="" type="checkbox"/>				
				With adaptive start control	Yes	No <input checked="" type="checkbox"/>				
<b>Permanent pilot flame power requirement</b>				With working time limitation	Yes	No <input checked="" type="checkbox"/>				
Pilot flame power required (if applicable)*	$P_{pilot}$	0	kW	With black bulb sensor	Yes	No <input checked="" type="checkbox"/>				
<b>The seasonal space heating energy efficiency <math>\eta_s</math></b>										
Item				Symbol		Value	Unit			
The seasonal space heating Energy efficiency in active mode				$\eta_{s,on}$		100	%			
The seasonal space heating energy efficiency $\eta_s$				$\eta_s$		91	%			
<b>Energy efficiency classes</b>										
Contact details: Sealey Group, Kempson Way, Suffolk Business Park, Bury St Edmunds, Suffolk, IP32 7AR.    www.sealey.co.uk										
v1						ERP Table 1				