

Thank you for purchasing a Sealey product. Manufactured to a high standard this product will, if used according to these instructions and properly maintained, give you years of trouble free performance.

⚠ IMPORTANT: PLEASE READ THESE INSTRUCTIONS CAREFULLY. NOTE THE SAFE OPERATIONAL REQUIREMENTS, WARNINGS AND CAUTIONS. USE THIS PRODUCT CORRECTLY AND WITH CARE FOR THE PURPOSE FOR WHICH IT IS INTENDED. FAILURE TO DO SO MAY CAUSE DAMAGE AND/OR PERSONAL INJURY AND WILL INVALIDATE THE WARRANTY. PLEASE KEEP INSTRUCTIONS SAFE FOR FUTURE USE.

1. SAFETY INSTRUCTIONS

- ❑ **WARNING!** Disconnect the heater from the gas supply before changing accessories, servicing or performing any maintenance.
- ✓ Keep the heater clean and in good working order.
- ✓ Check that the heater is in sound condition and not damaged. Take immediate action to repair or replace damaged parts.
- ✓ Use recommended parts only. Unauthorised parts may be dangerous and will invalidate the warranty.
- ✓ Store gas cylinders in accordance with regulations applicable to such appliances and **DO NOT** store below ground level.
- ✓ Follow instructions to ensure that there are no leaks in the gas connections. **DO NOT** use a naked flame to check for gas leaks.
- ✓ Use the supplied pressure regulator only. Protect regulator from rain and other contamination and **DO NOT** allow vent hole in regulator cover to become obstructed.
- ✓ For outdoor use only. The heater must have adequate continuous ventilation.
- ✓ Should the heater not work correctly, immediately turn off the heater and close the gas valve. Check the heater according to instruction manual. If you are unable to resolve the problem contact your local service agent. **DO NOT** attempt to dismantle or make any adjustments beyond those mentioned in these instructions. To do so may be dangerous and will invalidate the warranty.
- ✗ **DO NOT** use the heater if damaged. Take immediate action to repair or replace damaged parts. Use authorised service agent only.
- ✗ **DO NOT** use heater in closed rooms, living areas, basements or below ground level or in any area which is without adequate ventilation.
- ✗ **DO NOT** use heater when there is a risk of strong winds blowing it over.
- ✗ **DO NOT** allow untrained persons to ignite the heater.
- ✗ **DO NOT** use a naked flame to try and ignite the heater.
- ✗ **DO NOT** use the heater near flammable material, liquids, solids, or gases or in areas where spray painting is carried out.
- ✗ **DO NOT** place any flammable material within 2mtr of the heater.
- ✗ **DO NOT** place any other object less than 1mtr from the heater.
- ✗ **DO NOT** attempt to move the heater when it is lit, wait until it has been switched off and allowed to cool down.
- ✗ **DO NOT** touch any part of the operating heater above the control switch, as serious burns could result. Allow one hour cooling after switch off to ensure safety.
- ✗ **DO NOT** expose the cylinder to the sun, or any other heat source.
- ✓ Ensure the cylinder valve is closed when the heater is switched off.
- ✓ When not in use remove the cylinder and store the cylinder and heater in a safe, dry area, out of reach of children.
- ❑ **WARNING!**

*If the heater is used for prolonged periods at maximum power, ice may form on the propane cylinder. If so, **DO NOT** use another heater to de-ice the cylinder. Allow the ice to melt naturally.*

2. INTRODUCTION & SPECIFICATION

The LP352 and LP352S heaters are for use out of doors or in large well ventilated indoor spaces. The heater uses propane gas to generate infrared heat from the upper heat unit which is reflected down and out by a conical plate inside the head shield. The radiant heat produces a warm area covering approximately 25mtr² depending on location and conditions.

2.1. Specification:

Nominal Output12.5kW	IgnitionPiezoelectric
FuelPropane	ReflectorØ820mm
Pressure37mbar	Gas Bottle Capacity15kg
Fuel Consumption0.90kg/hr	Height2265mm

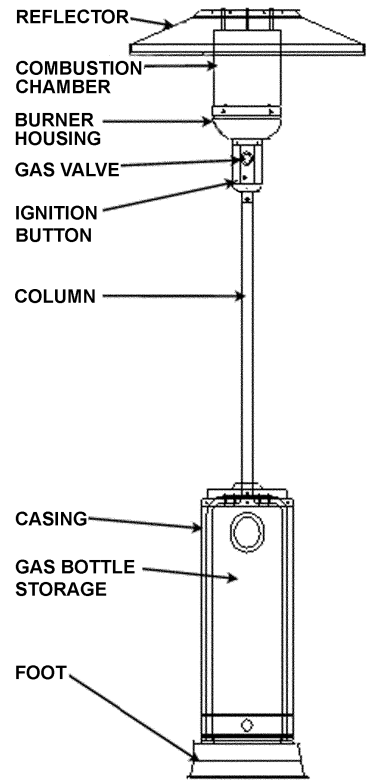
Note: Gas cylinder is not supplied.

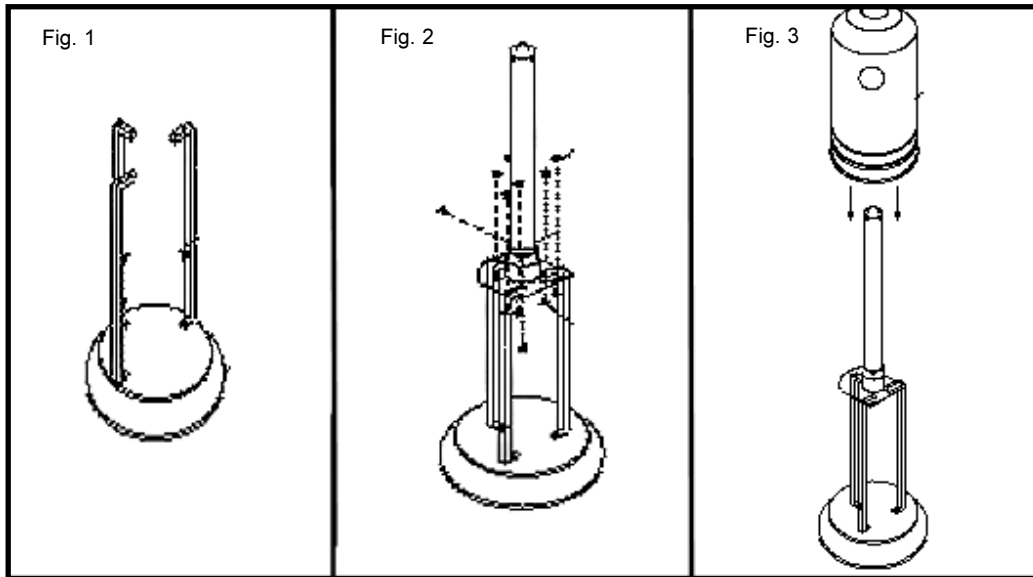
3. CONTENT & ASSEMBLY

3.1. Content

Note: The combustion chamber (8) may be slightly blackened. This is a result of factory tests and is not a fault. Remove from packing and check parts against the list below. If any parts are missing or damaged contact your supplier immediately.

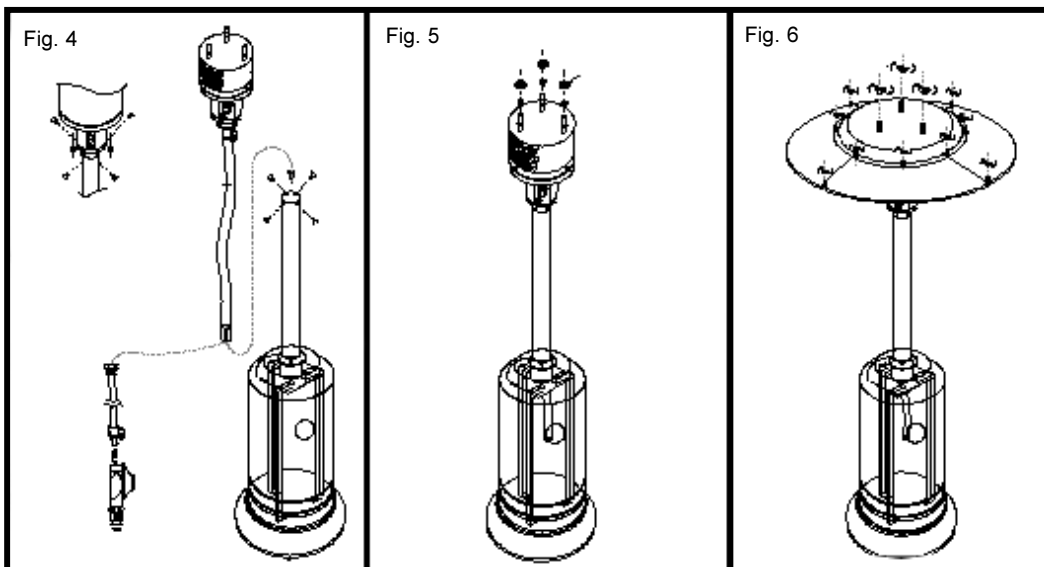
6 x Nuts and Bolts (M6) x 35mm	1 x Jubilee Clip	1 x Reflectors
3 x Bolts (M8) x 15mm	4 x M6 x 10mm	1 x Gas Hose
3 x Brackets	1 x Cylinder Base	1 x Gas Regulator
1 x Pole	1 x Burner Assembly Unit	1 x Cylinder Cover
3 x Wing Nuts	6 x Washers	2 x Transit Wheels



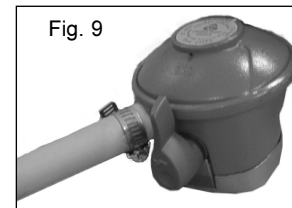


3.2. Assembly

- 3.2.1. Place the three post mounting brackets on the cylinder base and use bolts M8 x 15mm to secure (fig.1).
- 3.2.2. Place the post onto the top of the post brackets, using the M6 x 35mm bolts secure the plate to the brackets (fig. 2).
- 3.2.3. Slide the gas bottle storage housing over the post (fig. 3).
- 3.2.4. Insert the gas hose into the top of the post and thread through and fit the burner onto the post, secure burner with 4 M6 x 10mm bolts. Push the gas pipe onto the gas regulator nozzle and secure with the jubilee clip (fig 4).
- 3.2.5. Ensure that the post is vertical and the bolts have been tightened, then place the 3 x flat washers on top of the burner reflector support bolts (fig. 5).
- 3.2.6. Assemble the 5 piece reflector using the 12 x dome head nuts and place over the support bolts, secure using three wing nuts (fig. 6).



- 3.2.7. Attach the transit wheels to base using the nuts and bolts provided (fig. 7).



- 3.2.8 To connect the regulator to the gas bottle turn regulator lever into horizontal (OFF) position (fig. 8) and push firmly onto bottle until it locks into place. To remove regulator from bottle turn lever into off position and push lever assembly in towards regulator and lift off.
- 3.2.9 To turn on the regulator turn lever to the vertical (ON) position (fig. 9).

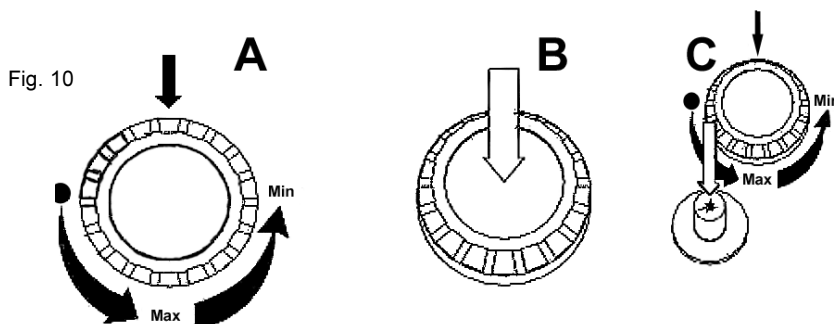
4. HEATER LOCATION

Your Sealey heater will generate radiated heat to a maximum area of approximately 25mtr² (depending on conditions). It is therefore very important to locate your heater correctly in order to achieve maximum benefit whilst avoiding any potential hazards.

The heater should only be used outdoors or in very large well ventilated areas.

The following location instructions must also be observed:

- 4.1. Ensure the surface on which the heater is to stand is level, smooth and flat. Avoid any surface that may cause the heater to topple.
- 4.2. Ensure the heater is located at a minimum of 1mtr from fixed objects such as wall, ceiling, doors, panelling etc. and not in the same building as flammable liquids, solids or gases.
- 4.3. Ensure that there is no possibility of the heater being blown over by strong winds.
- 4.4. Other features that will assist to enhance the comfort of the heated environment and reduce gas consumption:
 - a) Placing heater under sun or rain awning when used outside.
 - b) Protecting the heated area from draughts and winds.
- 4.5. Ensure the location of the gas heater does not contravene Health and Safety, fire, or any other local rules, legislation or regulations.



5. OPERATING INSTRUCTIONS

Note: Ensure you have read and understood the safety instructions in Section 1.

When you first light the heater, the unit will give off a light smoke. This is caused by the burning of protective lubricant and will cease after a short time. You may also experience a slightly irregular flame at first which will gradually settle once all the air has been eliminated from the gas piping. It is also normal to experience a short term irregular flame, caused by air in the system, each time a gas bottle is changed.

5.1. To turn ON

- 5.1.1. Check heater for possible gas leaks by opening the gas bottle valve and then brushing a soap solution over each connection in the system. If bubbles develop in the solution this indicates a leak which must be corrected before the unit is ignited. Immediately turn the control tap off and re-make any suspect joint. **Re-check for leaks.**

WARNING! DO NOT use a flame to test for leaks.

Important! If it becomes necessary to replace the hose, the length of the new hose must not exceed 1.1mtr.

- 5.1.2. When you are sure there are no leaks and with the gas bottle valve open proceed as follows:
- 5.1.3. Turn the temperature control knob (fig. 10.A) to the 'MIN' position and depress (fig. 10.B), at the same time press the ignition button (fig. 10.C). It may be necessary to press the ignition button several times to light the pilot flame.
- 5.1.4. Once the pilot light is lit hold the temperature control knob (fig. 10.A) fully in for a further 10 - 15 seconds and then release.
- 5.1.5. Check that the pilot flame remains alight.
- 5.1.6. If the flame goes out, turn the temperature control knob off and turn off the gas bottle, leave the heater to stand for one minute and then repeat steps 5.1.3 to 5.1.5
- 5.1.7. Turn the temperature knob to the desired heat setting.

5.2. To turn OFF

- 5.2.1. To turn the heater off, turn the control knob (fig. 10.A) to the '●' (off position), check that the flame is extinguished and turn off the gas cylinder at the gas valve.

5.3. Storage

When not in use store the heater in a safe, dry, childproof area. If being stored for long periods, i.e. during the summer, ensure the gas bottle is removed and stored according to appropriate regulations. Remove the aluminium reflector from the heater and store separately to avoid the risk of damaging or dulling the surface. Cover the remainder of the heater unit.

Declaration of Conformity We, the sole importer into the UK, declare that the products listed here are in conformity with the following standards and directives.

INFRARED PROPANE SPACE HEATER
Model LP352.V2 & LP352S
Gas Appliances (Safety) Regulations 1992
(S.I. 1992/711)



The construction file for these products are held by the Manufacturer and may be inspected, by a national authority, upon request to Jack Sealey Ltd.

Signed by Mark Sweetman

Date 20th February 2004

For Jack Sealey Ltd.
Sole importer into the UK
of Sealey Power Products.

NOTE: It is our policy to continually improve products and as such we reserve the right to alter data, specifications and component parts without prior notice.

IMPORTANT: No responsibility is accepted for incorrect use of this product. **WARRANTY:** Guarantee is 12 months from purchase date, proof of which will be required for any claim. **INFORMATION:** For a copy of our latest catalogue and promotions call us on 01284 757525 and leave your full name and address, including postcode.

SEALEY POWER PRODUCTS

Sole UK Distributor
Sealey Group,
Bury St. Edmunds, Suffolk.

01284 757500
01284 703534

Web address: www.sealey.co.uk
E-mail: sales@sealey.co.uk