



INFRARED QUARTZ HEATERS

MODEL NO: LP1500.V2, LP3000

Thank you for purchasing a Sealey product. Manufactured to a high standard, this product will, if used according to these instructions, and properly maintained, give you years of trouble free performance.

IMPORTANT: PLEASE READ THESE INSTRUCTIONS CAREFULLY. NOTE THE SAFE OPERATIONAL REQUIREMENTS, WARNINGS & CAUTIONS. USE THE PRODUCT CORRECTLY AND WITH CARE FOR THE PURPOSE FOR WHICH IT IS INTENDED. FAILURE TO DO SO MAY CAUSE DAMAGE AND/OR PERSONAL INJURY AND WILL INVALIDATE THE WARRANTY. KEEP THESE INSTRUCTIONS SAFE FOR FUTURE USE.



Refer to instructions



Do not cover

1. SAFETY

1.1. ELECTRICAL SAFETY

- ☐ **WARNING!** It is the user's responsibility to check the following:

Check all electrical equipment and appliances to ensure that they are safe before using. Inspect power supply leads, plugs and all electrical connections for wear and damage. Sealey recommend that an RCD (Residual Current Device) is used with all electrical products. You may obtain an RCD by contacting your local Sealey Stockist.

If the product is used in the course of business duties, it must be maintained in a safe condition and routinely PAT (Portable Appliance Test) tested.

Electrical safety information, it is important that the following information is read and understood.

- 1.1.1. Ensure that the insulation on all cables and on the appliance is safe before connecting it to the power supply.
- 1.1.2. Regularly inspect power supply cables and plugs for wear or damage and check all connections to ensure that they are secure.
- 1.1.3. **Important:** Ensure that the voltage rating on the appliance suits the power supply to be used and that the plug is fitted with the correct fuse - see fuse rating in these instructions.

- ✗ **DO NOT** pull or carry the appliance by the power cable.
- ✗ **DO NOT** pull the plug from the socket by the cable.
- ✗ **DO NOT** use worn or damaged cables, plugs or connectors. Ensure that any faulty item is repaired or is replaced immediately by a qualified electrician.

- 1.1.4. This product is fitted with a BS1363/A 13 Amp 3 pin plug.

If the cable or plug is damaged during use, switch the electricity supply and remove from use.

Ensure that repairs are carried out by a qualified electrician.

Replace a damaged plug with a BS1363/A 13 Amp 3 pin plug. If in doubt contact a qualified electrician.

a) Connect the GREEN/YELLOW earth wire to the earth terminal 'E'.

b) Connect the BROWN live wire to the live terminal 'L'.

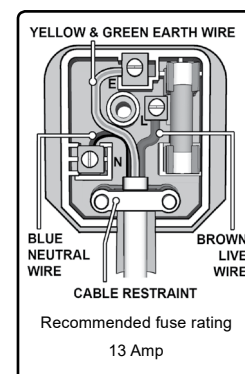
c) Connect the BLUE neutral wire to the neutral terminal 'N'.

Ensure that the cable outer sheath extends inside the cable restraint and that the restraint is tight.

Sealey recommend that repairs are carried out by a qualified electrician.

1.2. GENERAL SAFETY

- ✓ Familiarise yourself with the applications and limitations of the heater.
- ✓ Ensure the heater is in good order and condition before use. If in any doubt **DO NOT** use the unit and contact an electrician.
- ✓ Only use recommended attachments and parts. To use unauthorised items may be dangerous and will invalidate your warranty.
- ✓ Check that element guards are in place, undamaged and firmly attached.
- ✓ Keep tools and other items away from the heater when it is in use.
- ✓ Keep the work area clean and clear of unnecessary items.
- ✓ Keep children and unauthorised persons away from the heater, as it gets **very hot**.
- ✓ Disconnect from mains before moving or attempting any cleaning or maintenance.
- ✗ **DO NOT** get the heater wet or use in damp or wet locations or areas where there is condensation.
- ✗ **DO NOT** locate the heater below the power outlet.
- ✗ **DO NOT** move the heater whilst in operation or even when still warm.
- ✗ **DO NOT** touch the heater elements, even when cold.
- ✗ **DO NOT** disassemble the heater for any reason. The heater must be checked by qualified personnel only.
- ✗ **DO NOT** use this product to perform a task for which it has not been designed.
- ☐ **WARNING!** If a fuse blows, ensure it is replaced with an identical fuse type and rating.
- ✓ When not in use, store the heater carefully in a safe, dry, childproof location.



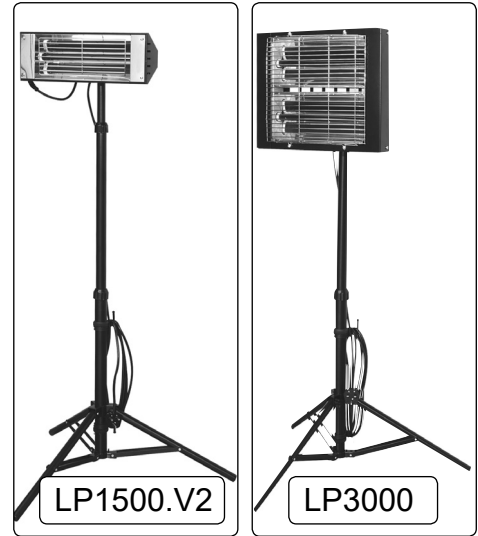
2. INTRODUCTION

Electric, tripod mounted, heaters with infrared quartz lamps. Reach maximum heat output within seconds of being turned on. Supplied with power cable and 3-pin plug. A totally dry heat with no condensation, no gas, no fumes, so no smell. Ideal for workshops, bars, forecourts or gardens and terraces **if weather protected**.

3. SPECIFICATION

Model No:.....	LP3000	LP1500
Heater Dimensions (W x D x H):	410 x 75 x 340mm	400 x 100 x 140mm
Maximum Height:	1700mm	1600mm
Minimum Height:	800mm	600mm
Nett Weight:	6.72Kg	4.71Kg
Power:.....	1500/3000W	1500W
Supply:.....	230V - 13A	230V - 13A

4. ASSEMBLY



4.1. FITTING LAMP TO THE STAND (fig.1)

- WARNING!** Isolate heater from mains before any assembling and/or maintenance operations are carried out.

4.1.1. Place the locating hole in the lamp's bracket onto the thread situated at the top of the stand.

4.1.2. Secure with plastic wing nut provided.

4.2. ELEMENT REPLACEMENT - LP1500.V2

- WARNING!** Disconnect from the mains before replacing element.
- WARNING!** Never touch the element glass directly with fingers, only touch the ceramic ends or use a soft cloth, otherwise the tube may get damaged.
- WARNING!** When removing/replacing the element, take great care not to expose the element to excessive force as this may cause the element to fracture.

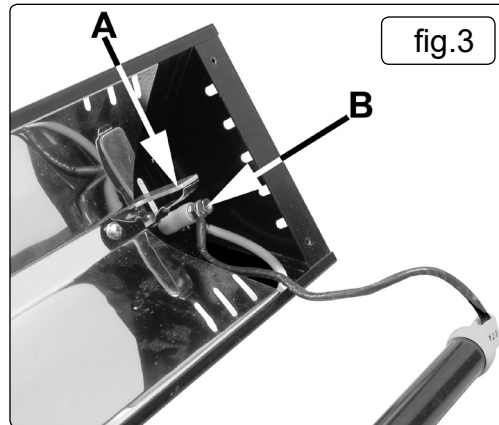
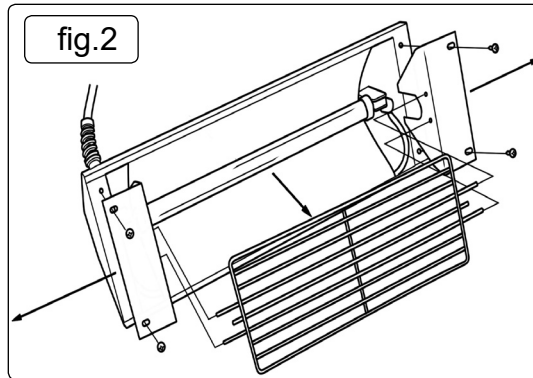
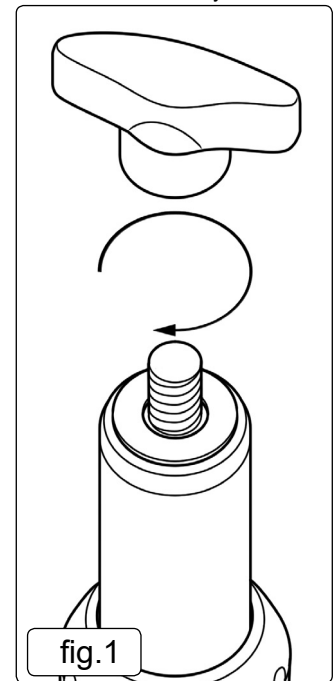
4.2.1. Remove the four screws located at each end of the face of the lamp which hold the end reflectors and grill in place, (See fig.2).

4.2.2. Slide the element out from its clips (See fig.3A) taking care not to stress the attached wires. Loosen the nut on the top of the pillar at each end of the reflector and slide out the forked connector (See fig.3B). The element can now be removed.

4.2.3. Lay the new element on a soft cloth in front of the heater body and connect the wires at either end to the pillars ensuring that the fork connector at the end of each wire is fully inserted between the plain and serrated washers. Retighten the nuts at the top of each pillar.

4.2.4. Insert the new tube into the clips with the wire connections facing downwards. Ensure that the excess loops of wire lie in the voids at either end of the casing and not on top of or underneath the reflector.

4.2.5. Push the end reflectors on to each end of the grill and place the assembly onto the face of the main body. Line up the holes in the end reflectors with the holes in the main body and insert the screws finger tight. Check that there are no wires trapped or showing then tighten the screws.



4.3. ELEMENT REPLACEMENT - LP3000.

- WARNING!** Disconnect from the mains before replacing element.
- WARNING!** Never touch the element glass directly with fingers, only touch the ceramic ends or use a soft cloth, otherwise the tube may get damaged.
- WARNING!** When removing/replacing the element, take great care not to expose it to excessive force as this may cause it to fracture.

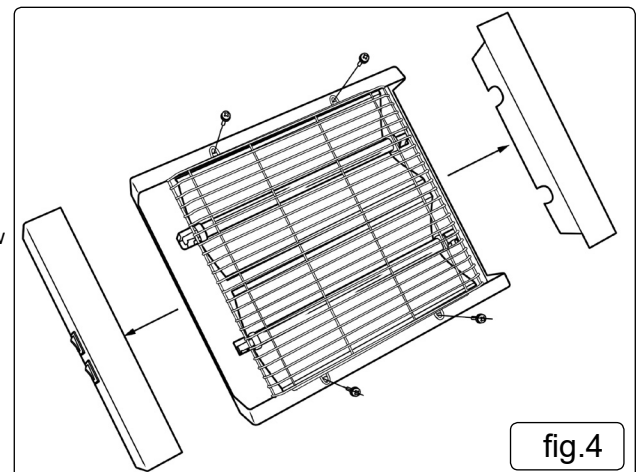
4.3.1. Place the heater face up on a clean work surface.

4.3.2. Remove the four screws which retain the grille and lift it clear of the main body (See fig.4)

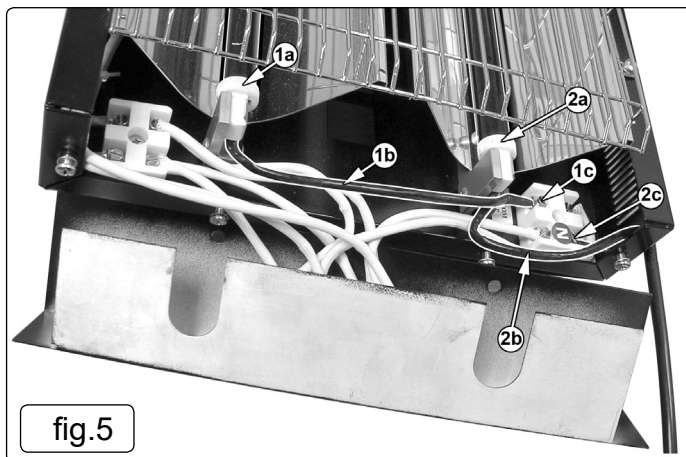
4.3.3. Remove the four screws which retain the plain right hand endplate and lift it clear of the main body. (See fig.4)

4.3.4. Remove the four screws which retain the left hand endplate and allow it to rest on the work surface. **DO NOT** stretch the wires that connect to the switches as this may result in loose or faulty connections (See fig.5).

4.3.5. The wires at the end of each element should be disconnected from the terminal blocks before attempting to unclip the elements.



- 4.3.6. Referring to fig.5, loosen screw 1c on the terminal block and slide out the forked connector attached to wire 1b which connects to element 1a.
- 4.3.7. Referring to fig.5, loosen screw 2c on the terminal block and slide out the forked connector attached to wire 2b which connects to element 2a.
- 4.3.8. Disconnect the element wires at the other end of the heater in a similar manner.
- 4.3.9. Each element can now be removed from it's clips.
- 4.3.10. Insert a new element into the clips with the wire connections facing downwards.
- 4.3.11. Reconnect each element to the terminal blocks making reference to fig.5.
- 4.3.12. Refit the endplate with the switches attached ensuring that no wires are trapped or showing.
- 4.3.13. Refit the plain endplate ensuring that no wires are trapped or showing.
- 4.3.14. Refit the grille and check that the heater is functioning correctly before placing it back into service.



5. OPERATION

Note: The infrared lamp is fragile and therefore it is important that it is not subjected to any unnecessary shocks or vibration and is not moved when it is on.

- WARNING! Ensure you have read, understood and applied the safety instructions in Section 1 before using the heater.**
- 5.1. Position the heater at least 1m from any object.
- 5.2. Plug in the heater and switch on.
- 5.3. Model LP3000 has two heats settings:
 - One button switched on initiates the low heat setting.
 - Two buttons switched on initiates the high heat setting.
- 5.4. When the heater is no longer required, switch off and/or unplug the unit.
- 5.5. Allow heater to cool after use before attempting any maintenance or relocation.
- WARNING! DO NOT touch the heater when in use as it becomes hot.**



ENVIRONMENT PROTECTION

Recycle unwanted materials instead of disposing of them as waste. All tools, accessories and packaging should be sorted, taken to a recycling centre and disposed of in a manner which is compatible with the environment. When the product becomes completely unserviceable and requires disposal, drain any fluids (if applicable) into approved containers and dispose of the product and fluids according to local regulations.



WEEE REGULATIONS

Dispose of this product at the end of its working life in compliance with the EU Directive on Waste Electrical and Electronic Equipment (WEEE). When the product is no longer required, it must be disposed of in an environmentally protective way. Contact your local solid waste authority for recycling information.

Note: It is our policy to continually improve products and as such we reserve the right to alter data, specifications and component parts without prior notice.

Important: No Liability is accepted for incorrect use of this product.

Warranty: Guarantee is 12 months from purchase date, proof of which is required for any claim.

Sealey Group, Kempson Way, Suffolk Business Park, Bury St Edmunds, Suffolk. IP32 7AR



01284 757500



01284 703534



sales@sealey.co.uk



www.sealey.co.uk