



MINI LEVER HOIST 250KG

MODEL NO: **LH251.V2**

Thank you for purchasing a Sealey product. Manufactured to a high standard, this product will, if used according to these instructions, and properly maintained, give you years of trouble free performance.

IMPORTANT: PLEASE READ THESE INSTRUCTIONS CAREFULLY. NOTE THE SAFE OPERATIONAL REQUIREMENTS, WARNINGS & CAUTIONS. USE THE PRODUCT CORRECTLY AND WITH CARE FOR THE PURPOSE FOR WHICH IT IS INTENDED. FAILURE TO DO SO MAY CAUSE DAMAGE AND/OR PERSONAL INJURY AND WILL INVALIDATE THE WARRANTY. KEEP THESE INSTRUCTIONS SAFE FOR FUTURE USE.



Refer to instructions



Wear protective gloves



Wear safety footwear



Wear head protection



Wear eye protection

1. SAFETY

1.1. UNDERSTANDING INSTRUCTIONS AND WARNINGS

- ✓ The owner and/or operator shall understand the operating instructions and warnings before operating the lever hoist.
 - ✓ Warning information must be emphasised and understood.
 - ✓ If the operator is not fluent in English, the product instructions and warnings must be read to, and discussed with, the operator in the operator's native language by the owner, making sure the operator understands the contents.
 - ✓ Ensure that the lever hoist is in a good working order and condition. Follow the inspection requirements as described in Section 8 Maintenance. Take immediate action to repair or replace damaged parts by contacting your supplier. Ensure that all accessory lifting devices are suitably certified. If the lever hoist is damaged, remove from service immediately.
 - ✓ Use recommended parts only. The use of unauthorised parts may be dangerous and will invalidate the warranty.
 - ✓ Wear goggles, hard hat, protective gloves, and steel-toed work boots during set up and use.
 - **WARNING!** Failure to heed safety and warning instructions may result in damage and/or personal injury and will invalidate the warranty.
 - ✓ This lever hoist is designed for lifting within a garage or workshop environment.
 - ✓ Ensure the support for the lever hoist is capable of withstanding a load of at least 1½ times the lever hoist safe working load.
 - ✓ Keep the lever hoist clean for the best and safest performance.
 - ✓ Locate the lever hoist in a suitable, well lit work area. Keep work area clean and tidy and free from unrelated materials.
 - ✓ Ensure all non-essential persons keep a safe distance whilst the lever hoist is in use.
 - ✓ Keep children and unauthorised persons away from the working area.
 - ✓ Store in a dry, childproof area when not in use.
 - ✓ To avoid injury, be fully aware of your own and other people's locations, in relation to the lifting, and lowering, of the load.
 - ✓ Keep a sound footing and balance, and ensure the floor is not slippery.
 - ✓ Ensure load sling(s) are fully engaged in the load hook and that the hook safety bar is in the closed position. Raise and lower in a smooth, controlled manner and **DO NOT** shock load the lever hoist by allowing the attached load to fall freely, even for very short distances. Lower load with care, ensuring that you are fully aware of the condition of the surface onto which the load is to be placed.
 - ✓ Check the brake operation by stopping when the load has been raised a short distance (100mm) and ensuring that it is held with no downward creep.
 - ✓ Before operating inspect both hooks to ensure it is securely attached.
 - ✓ Ambient operating temperature is between -10°C and +50°C.
 - ✓ All moving parts should always be kept lubricated before operating. Use a qualified person to lubricate and maintain the various parts.
 - ▲ **DANGER:** Use the lever hoist for lifting only, NOT for supporting the lifted load.
 - × **DO NOT** operate lever hoist with anything other than manual power (by hand).
 - × **DO NOT** allow the load to swing during operation and **DO NOT** subject the equipment, chains or straps to shock loads.
 - × **DO NOT** use the lever hoist in an explosive or corrosive atmosphere.
 - × **DO NOT** operate the lever hoist if damaged.
 - × **DO NOT** allow untrained persons to operate the lever hoist.
 - × **DO NOT** exceed the rated capacity (safe working load) of the lever hoist.
 - × **DO NOT** attempt to lift a load if the lever chain is kinked or knotted.
 - × **DO NOT** try to raise a load with two, or more, lever hoists - use a single block of adequate capacity.
 - × **DO NOT** use the lever hoist to drag the load across the floor. Always position the load directly below the hoist.
 - × **DO NOT** wrap the lever hoist around the load - always use separate and suitable slings/chains/ropes of the correct capacity.
 - × **DO NOT** allow anyone to stand or pass beneath the raised load.
 - × **DO NOT** use the lever hoist for purposes other than that for which it is designed.
 - × **DO NOT** lift people or lift loads over people. **DO NOT** stand under load. Falling loads can injure or kill people.
 - × **DO NOT** operate lever hoist with dangerous goods (e.g. molten masses, radioactive materials).
 - × **DO NOT** use whilst under the influence of drugs, alcohol or intoxicating medication.
 - ✓ When not in use, store in a safe, dry, childproof location.
 - × **DO NOT** remove or cover warning labels and/or tags. These carry important safety information. If unreadable or missing, contact Sealey Customer Service Centre for a replacement.
 - **WARNING!** Failure to heed safety and warning instructions may result in damage and/or personal injury and will invalidate the warranty.
- NOTE:** Ensure you have read and understood the safety instructions at the beginning of this section before you operate the lever hoist.

2. GENERAL

IDENTIFICATION/SUPPLIER

Sealey Power Products,
Kempson Way,
Suffolk Business Park,
Bury St Edmunds,
Suffolk, IP32 7AR.

3. INTRODUCTION

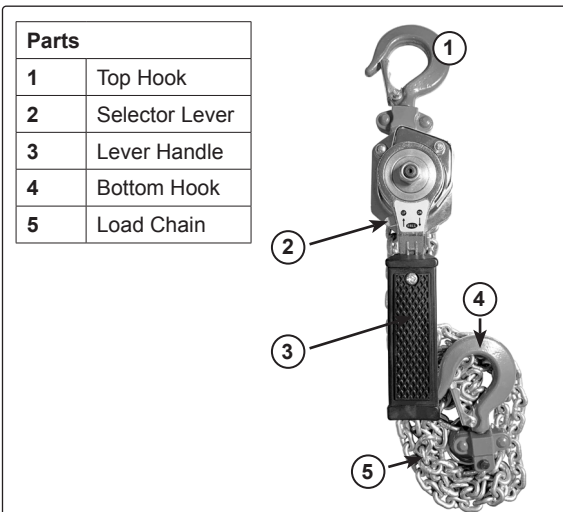
Small and light design for easy use in confined conditions. Features drop-forged and heat treated pinion gear with totally enclosed mechanism. Hooks fitted with safety latches and rotate 360°. Free-chaining feature permits slack in the load chain to be taken up by hand before engaging the ratchet arm. Provides total control on the load position. Please note this unit is for horizontal pull only.

4. SPECIFICATION

Model No:	LH251.V2
Capacity:	250kg
Chain Falls:	1
Chain Length:	1m
Head Room:	240mm
Hook Aperture:	14mm
Lever Length:	150mm

Load Chain Diameter:	Ø4mm
Maximum Hook Capacity Ø:	28mm
Nett Weight:	2kg
Operating Clearance:	60mm
Pull on Lever to Lift Full Loads:	235N
Size (W x D):	85 x 92mm
Test Load:	375kg

5. CONTENTS



6. ASSEMBLY

- 6.1.1. The lever hoist is delivered assembled. Unpack the product and check contents against the parts list in these instructions. Should there be any damaged or missing parts, contact your supplier immediately. It is recommended that two people lift the heavier models from their boxes and hook them onto the support to be used.

7. OPERATION

- 7.1. **OPERATION** (Refer to Section 8.3 regarding inspection before each and every use).

A risk assessment must be carried out before undertaking any operations with the lever hoist.

- 7.1.1. Ensure that the lever hoist is suspended from a structure capable of supporting at least 1½ times the safe working load of the hoist and that the hoist hook is fully engaged, with the safety bar closed.
- 7.1.2. Confirm that the load does not exceed the Safe Working Load of the hoist.
- 7.1.3. Ensure that slings/chains/ropes around the load are adequate and in good condition and that the load is directly below block.

7.2. LIFTING LOAD

- 7.2.1. Set the selector lever (2) to the "Up" position. Pull the load chain (5) and the bottom hook (4) can be adjusted to any desired position.
- 7.2.2. Attach slings/chains/ropes to hoist load hook and ensure safety bar is closed.
- 7.2.3. Smoothly use lever handle until load chain is taut, confirm that it is vertical (i.e. not pulling at an angle).
- 7.2.4. Start to raise load by moving the lever handle (3) up and down and check that it is level, with no possibility of the load tilting and/or slipping from its restraints. If necessary lower load and re-adjust slings to obtain a safe, level lift. Stop lifting at approximately 100mm to check that brake will hold load.
- 7.2.5. Continue to raise load to required height in a slow and controlled manner. DO NOT raise so far that load hook comes into contact with the hoist.

7.3. LOWERING LOAD

- 7.3.1. Set the selector lever (2) to the "DN" position, move lever handle (3) up and down, the load will be lowered. (If there isn't a load on the bottom hook (4) it will still move up and down, this is normal operation).

- 7.3.2. If, at any time, the lever handle will not move in either direction **DO NOT** attempt to force it but, after arranging safe support for any suspended load, have the lever hoist inspected by an Authorised Service Agent.

8. MAINTENANCE

NOTE: The lever hoist **MUST** be kept clean and dry and must be maintained in accordance with these instructions.

- 8.1. After use, clean off the dirt on the block and keep it in a dry place.
- 8.2. Lubricate both hook shanks regularly.
- 8.3. Check the wear status of the chain.
- 8.4. INSPECTION AND EXAMINATION OF LEVER HOIST BEFORE USE**
- 8.4.1. Before each use of the lever hoist, an inspection must be performed for damage, loose or missing parts.
- 8.4.2. The lever hoist must be examined immediately, if it has been subject to an abnormal load or shock. It is recommended that such an examination is made by an authorised service agent.
- 8.4.3. The owner and/or operator must be aware that repair of this equipment will require specialised knowledge and facilities. It is recommended that an annual examination of the lever hoist is made by an Authorised Service Agent.
- 8.4.4. Unauthorised parts may be dangerous and will invalidate the warranty.
- NOTE:** Please see the Definition of 'inspection' and 'examination' below.
- 8.5. INSPECTION**
- 8.5.1. Look at the lever hoist for defects and check the operation of the hooks, the load chain, the brake device and lubrication of the block without loading it. This is much more than a check but does not normally require any part of the lever hoist to be dismantled, other than removal or opening of covers or housings.
- 8.6. EXAMINATION**
- 8.6.1. Verification that the lever hoist can safely continue in service including a functional test of all safety devices i.e. the brake device etc to verify that they operate within the required tolerances. An examination is more thorough than an inspection.
- 8.7. STORAGE**
- 8.7.1. The equipment should ideally be stored in a purpose designed facility where it can be kept secure from unauthorised use. A responsible person should control the issue and receipt of all lifting appliances and accessories, and a system to manage statutory inspections should be in place.
- 8.7.2. Storage would normally be on suitable racks within a container that prevents accidental damage.
- 8.7.3. Never return damaged lever hoist to storage. The equipment should be dry, clean and protected from corrosion.
- 8.7.4. Store lever hoist on a rack and not lying on the ground. The storage area should be dry, clean and free from contaminants which could harm the equipment.
- 8.7.5. If a lever hoist is permanently installed, it should be protected from the elements as far as possible.
- 8.7.6. During transport to the worksite and whilst in store at the worksite, the equipment should be protected from exposure to any conditions which may affect its ability to operate safely. In particular, it should be protected from;
- Exposure to water/sea water;
 - Temperatures higher than can be comfortably tolerated by the hand.
 - Temperatures below freezing point.
 - Solvents.
 - Corrosive chemicals or fumes.
 - Grit, sand and wind-blown dust.
 - Any defects should be reported to the responsible person.
- 8.8. DAMAGED LEVER HOISTS**
- 8.8.1. Any lever hoist which appears to be damaged, badly worn, or operates abnormally, **MUST BE REMOVED FROM SERVICE!** It is recommended that necessary repairs be made by an authorised service agent.
- 8.9. END OF SERVICE**
- 8.9.1. Through years of normal wear, the lever hoist will eventually become unserviceable. When this happens ensure that it is disposed of in accordance with local authority regulations.



ENVIRONMENT PROTECTION

Recycle unwanted materials instead of disposing of them as waste. All tools, accessories and packaging should be sorted, taken to a recycling centre and disposed of in a manner which is compatible with the environment. When the product becomes completely unserviceable and requires disposal, drain any fluids (if applicable) into approved containers and dispose of the product and fluids according to local regulations.



REGISTER YOUR PURCHASE HERE

NOTE: It is our policy to continually improve products and as such we reserve the right to alter data, specifications and component parts without prior notice. Please note that other versions of this product are available. If you require documentation for alternative versions, please email or call our technical team on technical@sealey.co.uk or 01284 757505.

IMPORTANT: No Liability is accepted for incorrect use of this product.

WARRANTY: Guarantee is 12 months from purchase date, proof of which is required for any claim.

Sealey Group, Kempson Way, Suffolk Business Park, Bury St Edmunds, Suffolk. IP32 7AR



01284 757500



sales@sealey.co.uk



www.sealey.co.uk