



360° SLIM STANDING SMD LED WORKLIGHT 60W 110V

MODEL NO: **LED60110V**

Thank you for purchasing a Sealey product. Manufactured to a high standard, this product will, if used according to these instructions, and properly maintained, give you years of trouble free performance.

IMPORTANT: PLEASE READ THESE INSTRUCTIONS CAREFULLY. NOTE THE SAFE OPERATIONAL REQUIREMENTS, WARNINGS & CAUTIONS. USE THE PRODUCT CORRECTLY AND WITH CARE FOR THE PURPOSE FOR WHICH IT IS INTENDED. FAILURE TO DO SO MAY CAUSE DAMAGE AND/OR PERSONAL INJURY AND WILL INVALIDATE THE WARRANTY. KEEP THESE INSTRUCTIONS SAFE FOR FUTURE USE.



Refer to instruction manual

1. SAFETY

1.1. ELECTRICAL SAFETY

- ❑ **WARNING!** It is the user's responsibility to check the following:

Check all electrical equipment and appliances to ensure that they are safe before using. Inspect power supply leads, plugs and all electrical connections for wear and damage. Sealey recommend that an RCD (Residual Current Device) is used with all electrical products. You may obtain an RCD by contacting your local Sealey stockist.

if the multi-tool is used in the course of business duties, it must be maintained in a safe condition and routinely PAT (Portable Appliance Test) tested.

Electrical safety information. It is important that the following information is read and understood.

- 1.1.1. Ensure that the insulation on all cables and on the appliance is safe before connecting it to the power supply.
- 1.1.2. Regularly inspect power supply cables and plugs for wear or damage and check all connections to ensure that they are secure.
- 1.1.3. **Important:** Ensure that the voltage rating on the appliance suits the power supply to be used and that the plug is fitted with the correct fuse - see fuse rating in these instructions.

- ✗ **DO NOT** pull or carry the appliance by the power cable.
- ✗ **DO NOT** pull the plug from the socket by the cable. Remove the plug from the socket by maintaining a firm grip on the plug.
- ✗ **DO NOT** use worn or damaged cables, plugs or connectors. Ensure that any faulty item is repaired or replaced immediately by a qualified electrician.

- 1.1.4. This product is fitted with a BS1363/A 13 Amp 3 pin plug. If the cable or plug is damaged during use, switch off the electricity supply and remove from use. Replace a damaged plug with a BS1363/A 13 Amp 3 pin plug. If in doubt contact a qualified electrician.

Class II products are wired with live (brown) and neutral (blue) only and are marked with the Class II symbol;

A) Connect the BROWN live wire to the live terminal 'L'.

B) Connect the BLUE neutral wire to the neutral terminal 'N'.

C) After wiring, check that there are no bare wires and ensure that all wires have been correctly connected.

Ensure that the cable outer sheath extends inside the cable restraint and that the restraint is tight.

- ✗ **DO NOT** connect either wire to the earth terminal.

- 1.2. **Sealey recommend that repairs are carried out by a qualified electrician.**

GENERAL SAFETY

- ❑ **WARNING!** Turn off the mains power supply before servicing or performing any maintenance.

✓ Ensure the light is installed correctly in accordance with these instructions.

✓ If you use an extension lead the cable must be fully unwound from the drum.

▲ **DANGER! DO NOT** direct the light into a person's eyes. All models have a very intense light output which, if incorrectly used, could cause eye damage.

✗ **DO NOT** use the light without the front glass shield.

✗ **DO NOT** use the light near flammable, combustible or explosive liquids, solids, gases or equipment.

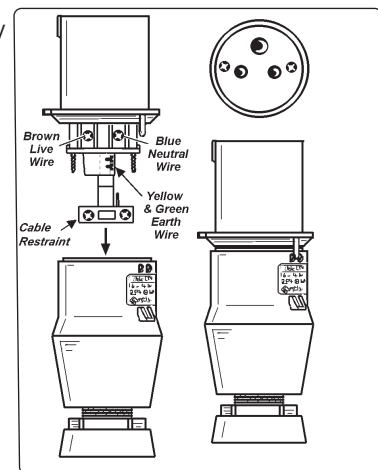
✓ Maintain the light in good condition. Repairs must only be undertaken by a qualified electrician (use an authorised service agent).

✓ Locate the light in an adequate area for its function, keep area clean and tidy and free from unrelated materials.

✓ When not in use, switch off the light and disconnect from the power supply. Ensure that the unit is cool and dry and then store in a safe, dry, childproof area.

✗ **DO NOT** use the light where it is likely to be knocked or hit.

✗ **DO NOT** install in bathrooms, shower rooms, sauna or such locations.



2. INTRODUCTION

360° Slim standing worklight to illuminate the whole area whilst working. SMD LED 60W light producing 6600 lumens. foldable tripod stand for easy storage. Includes 110V 16 amp 2P+E plug and 3m cable.

3. SPECIFICATION

Model No.:.....LED60110V
Colour Temperature: 4000k
Dimensions (W x D x H):.....Ø500 x 1500mm
Electrical Plug Type: Yellow - 16A-2P+E
Energy Rating: E
IP Rating: IP54
LED Qty.: 256
LED Type: SMD
Lumen Output: 6600
Power:..... 60W
Supply:..... 110V

4. OPERATION

- 4.1. Position the floodlight in the area that requires illumination.
- 4.2. This LED floodlight develops minimal heat and is not subject to the same restrictions that apply to halogen lamps that become too hot to touch. We do however recommend that the floodlight should not be placed in cramped or restrictive situations.
- 4.3. Plug the light into the power supply and turn power on to switch light on/off.
 - WARNING!** Ensure the light is disconnected from the mains power supply when not in use.
 - Ensure that the unit is cool and dry and is stored in a cool, dry, childproof area.

5. MAINTENANCE

- 5.1. Ensure that the power supply is disconnected before cleaning.
- 5.2. Clean the unit with a dry or slightly moist cloth.
 - * **DO NOT** use solvents or abrasives.



ENVIRONMENT PROTECTION

Recycle unwanted materials instead of disposing of them as waste. All tools, accessories and packaging should be sorted, taken to a recycling centre and disposed of in a manner which is compatible with the environment. When the product becomes completely unserviceable and requires disposal, drain any fluids (if applicable) into approved containers and dispose of the product and fluids according to local regulations.



WEEE REGULATIONS

Dispose of this product at the end of its working life in compliance with the EU Directive on Waste Electrical and Electronic Equipment (WEEE). When the product is no longer required, it must be disposed of in an environmentally protective way. Contact your local solid waste authority for recycling information.

Note: It is our policy to continually improve products and as such we reserve the right to alter data, specifications and component parts without prior notice.

Important: No Liability is accepted for incorrect use of this product.

Warranty: Guarantee is 12 months from purchase date, proof of which is required for any claim.



Sealey Group, Kempson Way, Suffolk Business Park, Bury St Edmunds, Suffolk. IP32 7AR



01284 757500



01284 703534



sales@sealey.co.uk



www.sealey.co.uk