



RECHARGEABLE SLIM INSPECTION LIGHT 6W COB LED & 1W SMD LED 550LM

MODEL NO: **LED186.V2**

Thank you for purchasing a Sealey product. Manufactured to a high standard, this product will, if used according to these instructions, and properly maintained, give you years of trouble free performance.

IMPORTANT: PLEASE READ THESE INSTRUCTIONS CAREFULLY. NOTE THE SAFE OPERATIONAL REQUIREMENTS, WARNINGS & CAUTIONS. USE THE PRODUCT CORRECTLY AND WITH CARE FOR THE PURPOSE FOR WHICH IT IS INTENDED. FAILURE TO DO SO MAY CAUSE DAMAGE AND/OR PERSONAL INJURY AND WILL INVALIDATE THE WARRANTY. KEEP THESE INSTRUCTIONS SAFE FOR FUTURE USE.



Refer to instructions

1. SAFETY

1.1. GENERAL

- ✓ It is important to ensure that the lamp is fully charged before initial use.
- ✗ **DO NOT** turn the lamp on when it is being charged.
- ✗ **DO NOT** shine directly into your, another person's or an animal's eyes.
- ✗ **DO NOT** allow children to use the lamp.
- ✗ **DO NOT** leave battery in a discharged state. Recharge battery immediately.
- ✓ Recharge the battery at least once every six months of non-use.
- ✓ There are no user serviceable components. **DO NOT** dismantle.
- ✗ **DO NOT** pull the charger plug from the mains socket by the lead.

1.2. BATTERY SAFETY

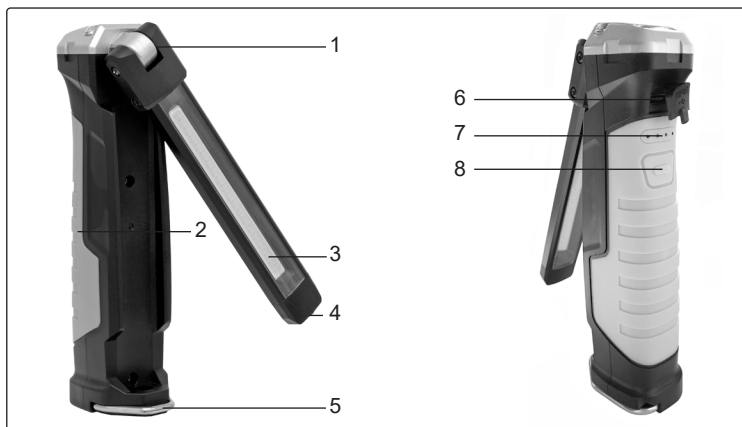
- ☐ **WARNING!** To reduce the risk of burns or fire:
- ✗ **DO NOT** Attempt to open, disassemble, modify or service the battery pack.
- ✗ **DO NOT** Crush, puncture, short external contacts or dispose of in fire or water.
- ✗ **DO NOT** Expose to temperatures above 60°C (140°F).
- ✓ Recycle or dispose of used battery as stipulated by local regulation.
- ✓ If the electrolyte in the cells gets on your skin, thoroughly wash with water. If it gets in your eyes, rinse thoroughly with cool water and seek immediate medical attention.

2. INTRODUCTION

Slimline foldout inspection light for use in confined spaces with its slim 9mm thickness. Inspection arm can be rotated 180° and folded. Features 6W COB LED, which produces up to 550 lumens and a 1W SMD LED on the end for use as a directional torch. Main light has two different lighting modes High/Low (550lm/220lm) and the SMD spotlight which has one setting at 80lm. Suitable for hands-free operation with a magnet and a hanging hook. Folds away, small and compact, suitable for keeping in your pocket. Powered by a 3.7V 2Ah rechargeable lithium-ion battery, which lasts up to 8hrs. Supplied with USB-C charging lead.

3. SPECIFICATION

Model No:	LED186.V2
Battery:	3.7V 2Ah Lithium-ion
Charging Time:	3hr
IP Rating:	IPX4
LED Type	6W COB + 1W SMD
Lumen Output:	Side(High/Low)/Top: (550/220)/80lm
Maximum Length:	270mm
Minimum Length:	155mm
Nett Weight:	175g
Operating Time:	Side(High/Low)/Top: (2.5/4)/8hr



4. OPERATION

4.1. CHARGING

The battery fitted to this lamp is considered to be a consumable item and its ability to accept charge will reduce over time. We will warranty it against mechanical and electrical defect for a period of one year, this does not cover fair wear and tear. If the battery is not properly charged before first use, or regularly conditioned, its capacity will diminish. Under these circumstances we will not replace the battery even if it is less than one year old.

1	LED Swivel adjustment	5	Hanging hook
2	Handle	6	Charging socket
3	6W COB LED	7	Battery indicator
4	1W SMD LED	8	ON/OFF switch

4.1.1. Connect the charger into the USB socket on the light. Plug in to power supply and turn on. The LEDs on the lamp will light as the battery charges. When all LEDs are lit, the torch is fully charged.

4.1.2. When the battery has fully charged (approx 3 hrs) disconnect from mains supply.

NOTE: The Lithium battery does not suffer from memory effect and once fully charged may be stored for up to six months without another charge.

4.1.3. Unfold lamp.

4.2. LIGHTING MODES

4.2.1. Press ON button to cycle through the lighting modes. Press once for COB at 220lm, twice for COB at 550lm, three presses turns on LED at 80lm and fourth press turns torch off.

4.2.2. If the light is left set in any mode for more than 10 seconds, the next press will turn the unit off.

4.3. LIGHT ARRANGEMENT

4.3.1. Positioning of the light with respect to the torch body can be achieved by either unfolding it and rotating light up or down through 180°, twisting it through 180° or 'rolling' it to one side. The methods may be combined to adjust to any situation.

4.3.2. Light can be hung from the hook or attached using magnets.

5. MAINTENANCE

5.1. Keep light clean and check for damage before every use. If damage is observed, remove from use until unit is repaired.

5.2. The battery is not designed to be removed.



ENVIRONMENT PROTECTION

Recycle unwanted materials instead of disposing of them as waste. All tools, accessories and packaging should be sorted, taken to a recycling centre and disposed of in a manner which is compatible with the environment. When the product becomes completely unserviceable and requires disposal, drain any fluids (if applicable) into approved containers and dispose of the product and fluids according to local regulations.



REGISTER YOUR PURCHASE HERE



WEEE REGULATIONS

Dispose of this product at the end of its working life in compliance with the EU Directive on Waste Electrical and Electronic Equipment (WEEE). When the product is no longer required, it must be disposed of in an environmentally protective way. Contact your local solid waste authority for recycling information.



BATTERY REMOVAL

Under the Waste Batteries and Accumulators Regulations 2009, Jack Sealey Ltd are required to inform potential purchasers of products containing batteries (as defined within these regulations), that they are registered with Valpak's registered compliance scheme. Jack Sealey Ltd's Batteries Producer Registration Number (BPRN) is BPRN00705.

NOTE: It is our policy to continually improve products and as such we reserve the right to alter data, specifications and component parts without prior notice.

IMPORTANT: No Liability is accepted for incorrect use of this product.

WARRANTY: Guarantee is 12 months from purchase date, proof of which is required for any claim.

Sealey Group, Kempson Way, Suffolk Business Park, Bury St Edmunds, Suffolk. IP32 7AR



01284 757500



sales@sealey.co.uk



www.sealey.co.uk