



# 20W SMD LED RECHARGEABLE PORTABLE FLOODLIGHT & POWER BANK

MODEL NO: LED1800PB

Thank you for purchasing a Sealey product. Manufactured to a high standard, this product will, if used according to these instructions, and properly maintained, give you years of trouble free performance.

**IMPORTANT:** PLEASE READ THESE INSTRUCTIONS CAREFULLY. NOTE THE SAFE OPERATIONAL REQUIREMENTS, WARNINGS & CAUTIONS. USE THE PRODUCT CORRECTLY AND WITH CARE FOR THE PURPOSE FOR WHICH IT IS INTENDED. FAILURE TO DO SO MAY CAUSE DAMAGE AND/OR PERSONAL INJURY AND WILL INVALIDATE THE WARRANTY. KEEP THESE INSTRUCTIONS SAFE FOR FUTURE USE.



Refer to instructions

## 1. SAFETY

### 1.1. GENERAL

- ✓ Ensure the lamp is fully charged before initial use.
- × **DO NOT** turn the lamp on when it is being charged.
- × **DO NOT** shine directly into your, other person's or an animal's eyes.
- × **DO NOT** allow children to use the lamp.
- × **DO NOT** handle or move the lamp whilst it is being charged.
- × **DO NOT** use the lamp if you suspect that the battery, the lamp casing or the cable is damaged. Consult your Sealey Stockist.
- × **DO NOT** leave battery in a discharged state, recharge battery immediately. Before storage, fully recharge the battery, subsequently recharge the battery at least once every six months of non-use.

### 1.2. BATTERY SAFETY

- ☐ **WARNING!** To reduce the risk of burns or fire:
- × **DO NOT** Attempt to open, dismantle, modify or service the battery pack.
- × **DO NOT** Crush, puncture, short external contacts or dispose of in fire or water.
- × **DO NOT** Expose to temperatures above 40°C or below -10°C.
- × **DO NOT** Expose to direct sunlight for long periods of time.
- × **DO NOT** Expose to moisture.
- × **DO NOT** place the lamp face down while in use.
- ✓ Replace only with the battery pack designated for this product.
- ✓ Recycle or dispose of used battery as stipulated by local regulation.
- ✓ If the electrolyte in the cells gets on your skin, wash thoroughly with soap and water. If it gets in your eyes, rinse thoroughly with cool water and seek immediate medical attention.

## 2. INTRODUCTION

Super bright 20W SMD Led light produces 1800 lumens with three brightness settings. Built-in power bank with 5V 1A USB output for providing power on the go. Work-light base can be rotated to provide light at any angle. The stand also features strong magnets so the light can be attached to any ferrous surface and a fold out hook in the stand base can be used to hang the work-light. Ø6mm tripod mount can be used for simple positioning of light and hands-free operation, compatible with Sealey TRI01 1.5m Telescopic Tripod. 3.7V 4Ah lithium-ion battery for longer life, no memory effect and a much slower discharge than traditional Ni-MH batteries. Lightweight unit folds flat and is very easy to transport making it ideal for industrial, professional and domestic use.

## 3. SPECIFICATION

Model no:	LED1800PB
Battery:	3.7V 4Ah Lithium-Ion
Charging Time:	6hr
IP Rating:	IP44
LED Type:	20W
Lumen Output:	1800 lm
Nett Weight:	0.735kg
Operating Time:	Max/Med/Low: 1/2/4hr
Power:	20W
Supply:	DC
USB Output:	5V = 1A



**NOTE:** The battery fitted to this lamp is considered to be a consumable item and its ability to accept a charge will reduce over time. We will provide warranty against mechanical and electrical defect for a period of one year - this does not cover fair wear and tear. If the battery is not properly charged before first use, or regularly conditioned, its capacity will diminish. Under these circumstances we will not replace the battery regardless of whether it is less than one year old.

**NOTE:** The lithium battery does not suffer from memory effect and once fully charged may be stored for up to six months without another charge.

## 4. CONTENTS

1	Fold-out hook
2	Swivel joint
3	Charge level indicator LED
4	USB type C charge socket with rubber cover
5	USB connection (powerbank function)
6	On/off button
7	Mounting magnets

## 5. OPERATION

### 5.1. FIRST USE

5.1.1. Charge the battery fully before the first use. When using a holding device (magnets, stand, etc.), ensure to hold the device firmly and placed securely in order to avoid possible damage due to the lamp falling.

### 5.2. OPERATION

- 5.2.1. Switch the light on and off by pressing the on/off button.  
 5.2.2. Press the button once to turn on the light in high brightness mode.  
 5.2.3. Press again to change it to medium brightness mode.  
 5.2.4. Press a third time change it to low brightness mode.  
 5.2.5. Press a fourth time to turn the light off.

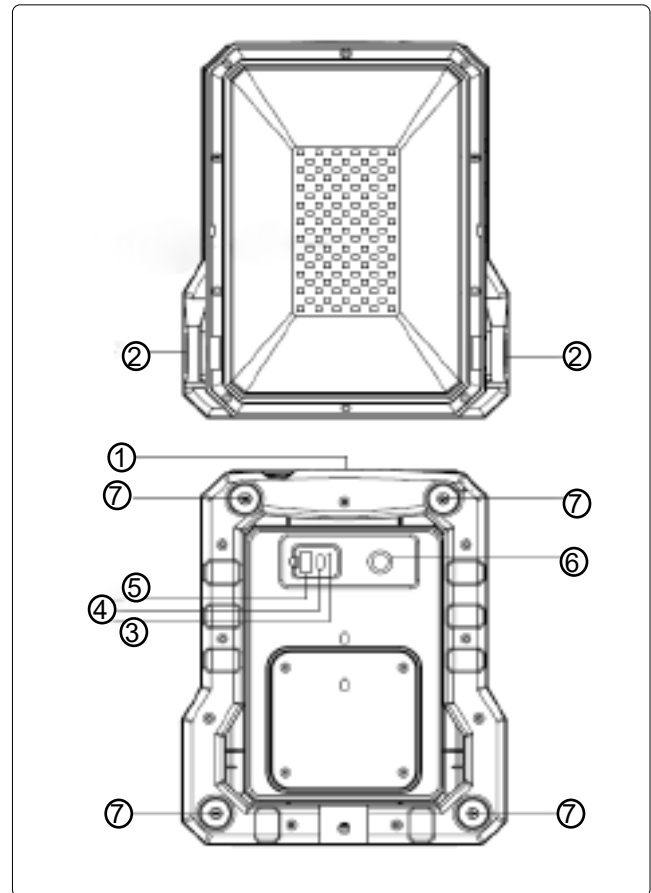
### 5.2.6. CHARGE DISPLAY

5.3. During charging, the LED flashes; when fully charged, the LED illuminates steadily. Then disconnect the floodlight from the power supply.

**NOTE:** Whilst charging it is not possible to use the light.

### 5.4. POWER-BANK FUNCTION

- 5.5. **WARNING! DO NOT** use the power bank whilst charging.  
 5.6. Connect the device that requires charging to the back of the light via the output port.



## 6. MAINTENANCE

- 6.1. If the product is not going to be used, charge the battery before storage in order to prevent long term discharge. Repeat this process regularly to ensure power bank never fully discharges.



### ENVIRONMENT PROTECTION

Recycle unwanted materials instead of disposing of them as waste. All tools, accessories and packaging should be sorted, taken to a recycling centre and disposed of in a manner which is compatible with the environment. When the product becomes completely unserviceable and requires disposal, drain any fluids (if applicable) into approved containers and dispose of the product and fluids according to local regulations.



### WEEE REGULATIONS

Dispose of this product at the end of its working life in compliance with the EU Directive on Waste Electrical and Electronic Equipment (WEEE). When the product is no longer required, it must be disposed of in an environmentally protective way. Contact your local solid waste authority for recycling information.



### BATTERY REMOVAL

Under the Waste Batteries and Accumulators Regulations 2009, Jack Sealey Ltd are required to inform potential purchasers of products containing batteries (as defined within these regulations), that they are registered with Valpak's registered compliance scheme. Jack Sealey Ltd's Batteries Producer Registration Number (BPRN) is BPRN00705.

**Note:** It is our policy to continually improve products and as such we reserve the right to alter data, specifications and component parts without prior notice.

**Important:** No Liability is accepted for incorrect use of this product.

**Warranty:** Guarantee is 12 months from purchase date, proof of which is required for any claim.

Sealey Group, Kempson Way, Suffolk Business Park, Bury St Edmunds, Suffolk. IP32 7AR

01284 757500

sales@sealey.co.uk

www.sealey.co.uk