



16W SMD EXTRA SLIM SOLAR FLOODLIGHT WITH WALL BRACKET

MODEL NO: LED16S

Thank you for purchasing a Sealey product. Manufactured to a high standard, this product will, if used according to these instructions, and properly maintained, give you years of trouble free performance.

IMPORTANT: PLEASE READ THESE INSTRUCTIONS CAREFULLY. NOTE THE SAFE OPERATIONAL REQUIREMENTS, WARNINGS & CAUTIONS. USE THE PRODUCT CORRECTLY AND WITH CARE FOR THE PURPOSE FOR WHICH IT IS INTENDED. FAILURE TO DO SO MAY CAUSE DAMAGE AND/OR PERSONAL INJURY AND WILL INVALIDATE THE WARRANTY. KEEP THESE INSTRUCTIONS SAFE FOR FUTURE USE.



Refer to instructions

1. SAFETY

- ✓ Maintain the light in good condition.
- ✓ Ensure the light is installed correctly in accordance with these instructions.
- ✓ Only install the light on a vertical surface.
- ✗ **DO NOT** fix the light on any horizontal surface i.e. ceiling, or overhang.
- ✓ Install away from flammable or combustible materials.
- ✗ **DO NOT** direct the light into a persons eyes.
- ✗ **DO NOT** install the light where it is likely to be knocked or hit.
- ✗ **DO NOT** install in bathrooms, shower rooms, sauna or such locations.
- ✗ **DO NOT** install near an exhaust outlet. e.g. Boiler flue, dryer outlet etc, or mirrored surfaces.
- ✗ **DO NOT** put the light in an area that is well lit at night, e.g., near a street light. This may stop the sensor from determining when it is night time and will stop the light from operating.
- ✓ The light must be securely fixed to the mounting surface. The screws and wall plugs supplied are suitable for masonry only.
- ✓ Mount the light level and horizontal to the ground.
- ✓ Turn the light off if it is not to be used for long periods.
- ✓ Locate the light away from obstructions that block the light from reaching the solar panel such as overhanging tree branches, fences or buildings.

2. INTRODUCTION

16W Extra slim solar floodlight with wall bracket. 14 SMD LED producing 1600 lumens featuring both daylight (CIR) and motion (PIR) sensors to switch on automatically. Motion sensor can detect up to 5 Metres. Mounted in die-cast powder coated aluminium extra slim housing with wall bracket. Containing one 3.7V Li-ion battery capable of a run time of 10 hours and has a 30 second timer upon sensing motion.

3. SPECIFICATION

Model No: LED16S
IP Rating: IP65
LED Type: 14 SMD
Lumen Output: 1600Lm
Operating Time:
..... 10 hours, 30 seconds once motion sensor activated.
PIR Motion Sensor: Yes
Power: 16W
Supply: 5V

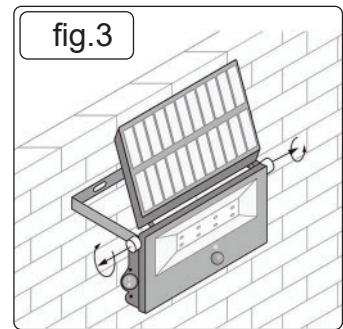
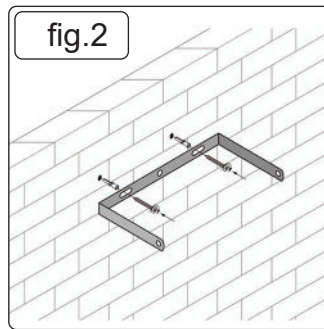
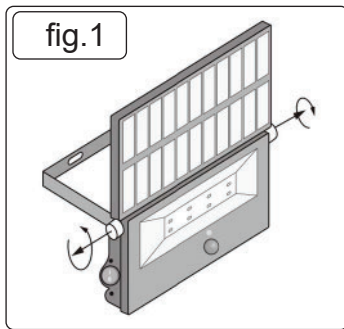
4. ASSEMBLY

4.1. INSTALLATION

Unpack the product and check contents. Should there be any damaged or missing parts contact your supplier immediately. Give careful consideration to the position of unit to ensure you obtain maximum benefit from the lighting range.

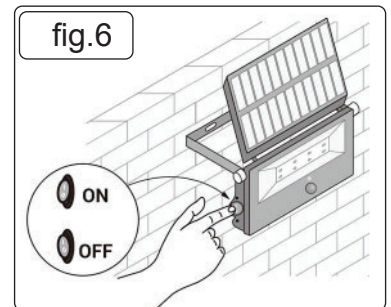
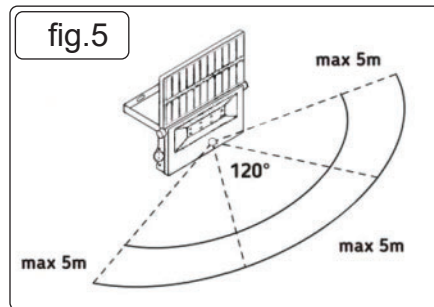
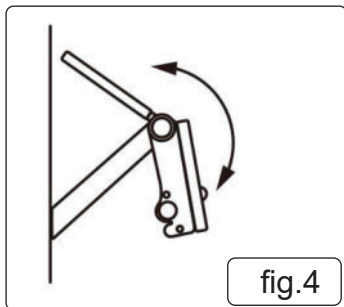
- 4.1.1. With care remove the wall bracket from the light assembly by unscrewing the retaining thumb screws (fig 1).
- 4.1.2. Locate the thumb screws, solar panel and light in a secure location.
- 4.1.3. Place the wall bracket at your desired location and spot mark through the slots onto the fixing surface (fig 2).
- 4.1.4. Secure wall bracket with appropriate fixings, wall plugs, to suit mounting surface.
- 4.1.5. Reassemble the light assembly (fig 3).

- WARNING!** If working at height take adequate safety precautions to prevent injury from falling.



5. OPERATION

- 5.1. Adjust the solar panel upwards to maximise the amount of direct sunlight collected (fig 4).
- 5.2. Rotate the light downwards to obtain maximum coverage (figs 4 & 5).
- 5.3. Push the power button to switch on the light (fig 6).
 - WARNING!** To avoid unwanted activation ensure that the light is not positioned so it detects unwanted objects such as road traffic or people using nearby footpaths.



6. MAINTENANCE

- 6.1. Wipe clean with soft dry cloth.
 - DO NOT** use solvents.
- NOTE:** The light is a fully sealed unit with no serviceable parts.



ENVIRONMENT PROTECTION

Recycle unwanted materials instead of disposing of them as waste. All tools, accessories and packaging should be sorted, taken to a recycling centre and disposed of in a manner which is compatible with the environment. When the product becomes completely unserviceable and requires disposal, drain any fluids (if applicable) into approved containers and dispose of the product and fluids according to local regulations.



WEEE REGULATIONS

Dispose of this product at the end of its working life in compliance with the EU Directive on Waste Electrical and Electronic Equipment (WEEE). When the product is no longer required, it must be disposed of in an environmentally protective way. Contact your local solid waste authority for recycling information.



BATTERY REMOVAL

Under the Waste Batteries and Accumulators Regulations 2009, Jack Sealey Ltd are required to inform potential purchasers of products containing batteries (as defined within these regulations), that they are registered with Valpak's registered compliance scheme. Jack Sealey Ltd's Batteries Producer Registration Number (BPRN) is BPRN00705.

Note: It is our policy to continually improve products and as such we reserve the right to alter data, specifications and component parts without prior notice.

Important: No Liability is accepted for incorrect use of this product.

Warranty: Guarantee is 12 months from purchase date, proof of which is required for any claim.

Sealey Group, Kempson Way, Suffolk Business Park, Bury St Edmunds, Suffolk. IP32 7AR



01284 757500



01284 703534



sales@sealey.co.uk



www.sealey.co.uk