

Thank you for purchasing a Sealey product. Manufactured to a high standard this product will, if used according to these instructions and properly maintained, give you years of trouble free performance.



IMPORTANT: PLEASE READ THESE INSTRUCTIONS CAREFULLY. NOTE THE SAFE OPERATIONAL REQUIREMENTS, WARNINGS, AND CAUTIONS. USE THIS PRODUCT CORRECTLY, AND WITH CARE FOR THE PURPOSE FOR WHICH IT IS INTENDED. FAILURE TO DO SO MAY CAUSE DAMAGE, OR PERSONAL INJURY, AND WILL INVALIDATE THE WARRANTY.

1. SAFETY INSTRUCTIONS

1.1. ELECTRICAL .

- WARNING! It is the user's responsibility to read, understand and comply with the following:**
- WARNING! THIS PRODUCT MUST BE INSTALLED BY A QUALIFIED ELECTRICIAN.**

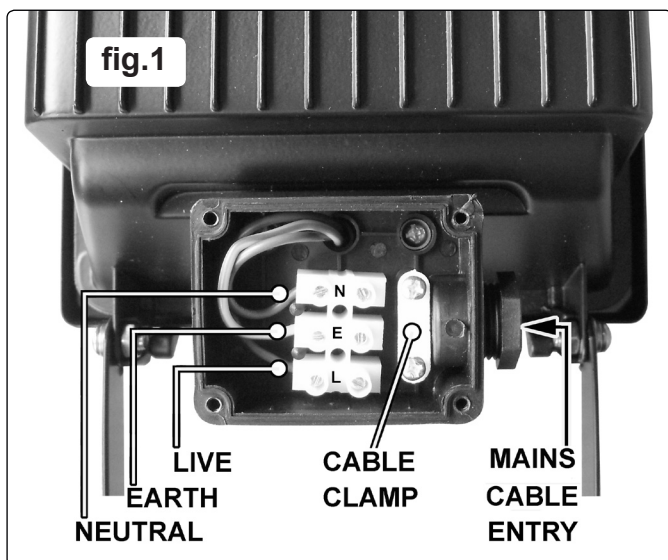
You must check all electrical equipment and appliances to ensure they are safe before use. You must inspect power supply leads, plugs and all electrical connections for wear and damage. You must ensure the risk of electric shock is minimised by the installation of appropriate safety devices. An RCCB (Residual Current Circuit Breaker) should be incorporated in the main distribution board.

You must also read and understand the following instructions concerning electrical safety:

- 1.1.1. Ensure the light is connected to an appropriate electrical on/off switch.
- 1.1.2. Ensure the insulation on all cables and the product itself is safe before connecting to the mains power supply.
- 1.1.3. Ensure that cables are always protected against short circuit and overload.
- 1.1.4. Regularly inspect power supply, leads, plugs and all electrical connections for wear and damage, especially power connections, to ensure that none are loose.
- 1.1.5. **Important:** Ensure the voltage marked on the product is the same as the electrical power supply to be used.
- 1.1.6. **DO NOT** pull power cable once installed.
- 1.1.7. **DO NOT** pull power plugs from sockets by the power cable.
- 1.1.8. **DO NOT** use worn or damaged leads, plugs or connections. Immediately replace or have repaired by a qualified electrician.

Ensure the unit is correctly earthed and wired according to fig.1 below.

- a) **Connect the GREEN/YELLOW earth wire to the earth terminal 'E'.**
 - b) **Connect the BROWN live wire to live terminal 'L'.**
 - c) **Connect the BLUE neutral wire to the neutral terminal 'N'.**
- After wiring, check there are no bare wires, that all wires have been correctly connected and that the cable clamp is tight. Also ensure that the mains cable passes through the rubber washer situated behind the cable entry nut.**



1.2. GENERAL SAFETY.

- WARNING! Turn off the mains power supply before servicing or performing any maintenance.**
- ✓ Maintain the light in good condition (Repairs must only be undertaken by a qualified electrician).
- ✓ Replace or repair damaged parts. Use recommended parts only, non authorised parts may be dangerous and will invalidate the warranty.
- ✓ Ensure the light is installed correctly in accordance with these instructions.
- ✓ Only install the light on a vertical surface. **DO NOT** fix the light on any horizontal surface, i.e. ceiling, or overhang.
- DANGER! DO NOT direct the light into a person's eyes. This unit has a very intensive light output, which if incorrectly used could cause eye damage.**
- ✗ **DO NOT** install the light where it is likely to be knocked or hit.
- ✗ **DO NOT** install in bathrooms, shower rooms, saunas or such locations.
- ✗ **DO NOT** use the light without the front glass shield.

2. INTRODUCTION & SPECIFICATION

Mounted in die-cast aluminium housing fitted with wall bracket. Features 130 super bright LEDs, which have a longer working life than traditional halogen bulbs. Low wattage means a low energy consumption which helps to reduce energy bills. Supplied without mains cable and suitable for outdoor mounting.

Power 8W
 Lumen Output 585lm
 Supply 230V

3. INSTALLATION & USE

3.1. INSTALLATION.

- WARNING! Ensure the unit is not connected to the mains power supply before installation.**
- 3.1.1. Consider the position of the unit to ensure you obtain maximum benefit from the lighting, and that an appropriate electrical power source can be provided.
- 3.1.2. The light must be mounted vertically only, i.e. on a wall etc. **DO NOT** mount horizontally, i.e. ceiling or overhang, **DO NOT** mount so that the face of the lamp is pointing upwards, or is facing towards the mounting surface.
- 3.1.3. This LED floodlight develops minimal heat and is not subject to the same mounting restrictions that apply to halogen lamps that become too hot to touch. We do however recommend that the floodlight should not be placed in cramped or restrictive positions and should be fixed at the following minimum distances between the light and any surface/object: (See fig.2)
 - 500mm minimum between the top of the light and any overhead surface, or objects, i.e. ceilings, overhangs.
 - 200mm between sides of light and end or side walls, surface or objects.
 - 2 metres minimum between the front of the light and any object to be illuminated.
- 3.1.4. Fix the light to vertical surface with appropriately strong screws or bolts.
- 3.1.5. Ensure the unit is connected to the electrical supply by a qualified electrician.

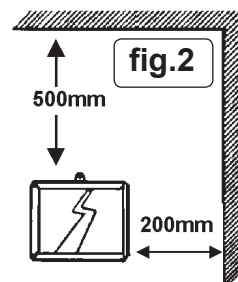




fig.3

fig.4



3.2. GENERAL.

- Clean the light with a dry, dust-free cloth.
- **DO NOT** use solvents, or abrasives to clean the light.
- Avoid touching the glass shield as handling may reduce its serviceable life and cause the glass to crack. If necessary clean the shield with alcohol and a soft cloth.
- **DO NOT** use the light without the glass shield.
- **DO NOT** use the light without the weather seals intact.

Parts support is available for this product. To obtain a parts listing and/or diagram, please log on to www.sealey.co.uk, email sales@sealey.co.uk or phone 01284 757500.

Environmental Protection.



Recycle unwanted materials instead of disposing of them as waste. All tools, accessories and packaging should be sorted, taken to a recycle centre and disposed of in a manner which is compatible with the environment.



When the product is no longer required, it must be disposed of in an environmentally protective way. Contact your local solid waste authority for recycling information.

NOTE: It is our policy to continually improve products and as such we reserve the right to alter data, specifications and component parts without prior notice.

IMPORTANT: No liability is accepted for incorrect use of this product.

WARRANTY: Guarantee is 12 months from purchase date, proof of which will be required for any claim.

INFORMATION: For a copy of our latest catalogue and promotions call us on 01284 757525 and leave your full name and address, including postcode.



Sole UK Distributor, Sealey Group,
Kempson Way, Suffolk Business Park,
Bury St. Edmunds, Suffolk,
IP32 7AR



01284 757500



www.sealey.co.uk



01284 703534



sales@sealey.co.uk