

Thank you for purchasing a Sealey Product. Manufactured to a high standard this product will, if used according to these instructions and properly maintained, give you years of trouble free performance.



IMPORTANT: PLEASE READ THESE INSTRUCTIONS CAREFULLY. NOTE THE SAFE OPERATIONAL REQUIREMENTS, WARNINGS AND CAUTIONS. USE THIS PRODUCT CORRECTLY AND WITH CARE FOR THE PURPOSE FOR WHICH IT IS INTENDED. FAILURE TO DO SO MAY CAUSE DAMAGE AND/OR PERSONAL INJURY AND WILL INVALIDATE THE WARRANTY. PLEASE KEEP INSTRUCTIONS SAFE FOR FUTURE USE.

1. SAFETY INSTRUCTIONS

1.1. GENERAL

- ✓ Ensure the floodlight is correctly charged before initial use.
- x **DO NOT** cover or block the lens during use.
- x **DO NOT** turn the floodlight on when it is being re-charged.
- x **DO NOT** shine directly into your, other person's or animal's eyes.
- x **DO NOT** allow children to use the floodlight.
- x **DO NOT** handle or move the floodlight whilst it is being charged.
- x **DO NOT** use the floodlight if you suspect that the battery or the spotlight casing is damaged.
- x **DO NOT** immerse the floodlight in water.
- ✓ Ensure replacement batteries are genuine Sealey batteries of the same rating.
- ✓ Ensure the floodlight is unplugged and allowed to cool before attempting any cleaning or replacement.
- ✓ When not in use store the floodlight in a safe, dry, childproof location.

1.2. BATTERY SAFETY

- WARNING! To reduce the risk of burns or fire:**
- x **DO NOT** attempt to open, disassemble, modify or service the battery.
- ✓ Ensure the charger is switched off and disconnected from the floodlight before attempting to open the lamp unit.
- x **DO NOT** expose to temperatures above 60°C (140°F).
- x **DO NOT** crush, puncture, short external contacts or dispose of in fire or water.
- ✓ Replace only with the battery designated for this product.
- ✓ Dispose of the old batteries in accordance with local authority battery regulations. **DO NOT** dispose of with regular refuse.
- ✓ If the electrolyte in the cells contacts the skin, wash thoroughly with soap and water.
- ✓ If the electrolyte in the cells gets into the eyes, rinse thoroughly with cool water and seek immediate medical attention.

1.3. ELECTRICAL SAFETY

- USE ONLY THE SUPPLIED MAINS CHARGER PLUG FOR CONNECTING FLOODLIGHT TO THE MAINS POWER SUPPLY. ONLY USE THE SUPPLIED ADAPTOR FOR CONNECTING TO A VEHICLE 12V ACCESSORY SOCKET.**
- WARNING!** It is the user's responsibility to read, understand and comply with the following electrical instructions:
You must ensure the risk of electric shock is minimised by the installation of appropriate safety devices. An RCCB (Residual Current Circuit Breaker) should be incorporated in the main distribution board. We also recommend that an RCD (Residual Current Device) is used with all electrical products, particularly portable equipment which is plugged into an electrical supply not protected by an RCCB.
You must also read and understand the following instructions concerning electrical safety.
- 1.3.1. **The Electricity At Work Act 1989** requires all portable electrical appliances, if used on business premises, to be tested by a qualified electrician, using a Portable Appliance Tester (PAT), at least once a year.
- 1.3.2. **The Health & Safety at Work Act 1974** makes owners of electrical appliances responsible for the safe condition of the appliance and the safety of the appliance operator. **If in any doubt about electrical safety, contact a qualified electrician.**
- 1.3.3. **You must ensure that you:**
 - ✓ Inspect the charger plug, cable and connector for wear and damage to ensure items are safe before connecting to the mains power supply. If worn or damaged **DO NOT** use.
 - ✓ Check cables are always protected against short circuit and overload.
 - ✓ **Important:** Check that the voltage marked on the charger plug is the same as the power supply to be used.
 - ✓ Uncoil the cable between charger and the floodlight.
 - x **DO NOT** pull the charger plug from the mains socket by the lead.
 - x **DO NOT** use any other type of charger with this product.
 - x **DO NOT** place the connector into any area of the floodlight except the correct jack inlet socket.
 - x **DO NOT** try to take the charger plug apart.
 - x **DO NOT** use the charger plug to charge or power any other electrical item.
 - x **DO NOT** get the charger wet, or use in wet, damp conditions (for indoor use only).
 - WARNING! NEVER** substitute a standard 13Amp 3 pin plug, or any other type of plug, for the charger plug.

2. INTRODUCTION & SPECIFICATION

2.1. INTRODUCTION

Portable floodlight with adjustable head, housed within a stable steel frame. Features 108 super bright LED bulbs which have a longer working life than traditional halogen bulbs. Weatherproof design with on/off rocker switch. Supplied with mains cable and 12V in-car charger. Built-in 7.4V 2.0Ah Li-ion rechargeable battery. Suitable for lighting workshops, garages and other environments where no mains supply is available.

Charging Time: 4hrs
Operating Time: 3.5hrs
Lumen Output: 864lm

3. OPERATION

3.1. OPERATION

WARNING! Ensure that you read, and fully understand the safety instructions before use.

3.1.1. Charge the batteries before use.

IMPORTANT: Ensure the floodlight is turned 'Off' whilst charging. Failure to do so will damage the charger plug/vehicle plug.

3.1.2. Turn floodlight 'On' and 'Off' by the rocker switch (fig.1.A) on the main body.

3.1.3. The position of the main body can be altered by loosening the thumb screws (fig.1.B) and moving the main body.

3.2. BATTERY CHARGING

WARNING! Ensure that you read, fully understand, and apply the safety instructions relating to the battery and charger before use.

3.3. MAINS CHARGER PLUG

3.3.1. Ensure the floodlight is turned 'Off' and then plug the charger adaptor (fig.2) into the jack inlet (fig.1.C) on the floodlight body. Stand the floodlight in a safe location ready to charge.

3.3.2. Plug charger into the mains supply. The charging indicator LED (fig.4) will illuminate RED as the battery charges.

3.3.3. Allow approximately 4hours for the initial charge and for subsequent charges. Once the battery has reached full charge, the charging indicator LED (fig.4) will illuminate GREEN.

3.3.4. When full charge has been reached, switch off the mains supply and unplug the charger from the mains and then from the floodlight. The floodlight is now ready for use.

3.3.5. Store the charger in a safe, dry location.

Notes: a) Fully charged batteries will last for approximately 3.5hours.

b) **DO NOT** fully discharge the batteries before recharging.

c) **DO NOT** leave batteries in a discharged state, recharge batteries immediately. If the floodlight is not in use, recharge the batteries every three months.

3.4. VEHICLE CHARGER PLUG

3.4.1. Ensure the floodlight is turned 'Off' and then plug the vehicle charger plug (fig.3) into the jack inlet (fig.1.C) on the floodlight body. Stand the floodlight in a safe location ready to charge.

3.4.2. Insert the charger plug into the vehicle's accessory socket (12V only). The charging indicator LED (fig.4) will illuminate RED as the battery charges.

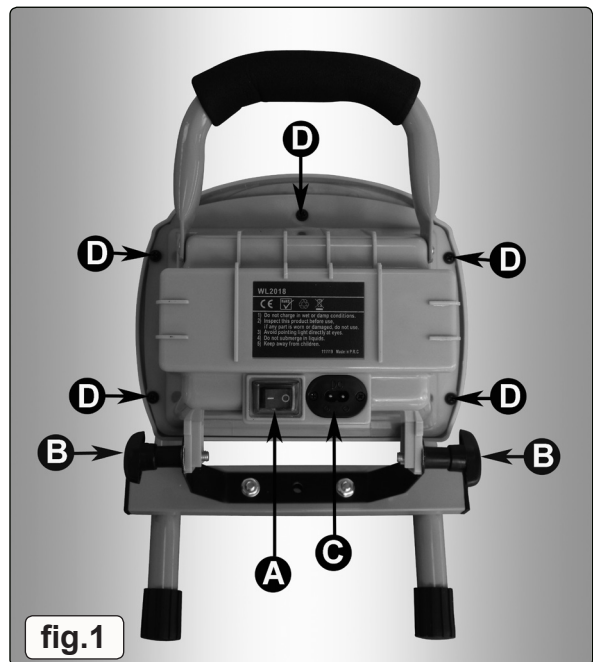
3.4.3. Allow approximately 4hours for the initial charge and for subsequent charges. Once the battery has reached full charge, the charging indicator LED (fig.4) will illuminate GREEN.

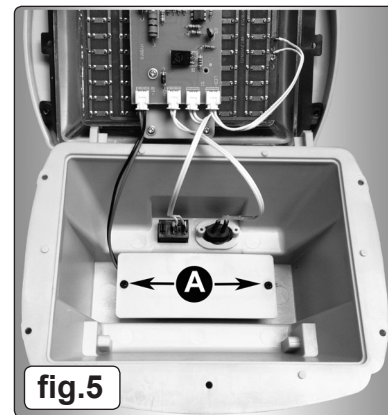
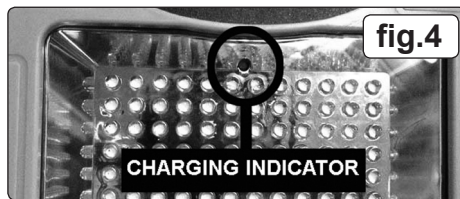
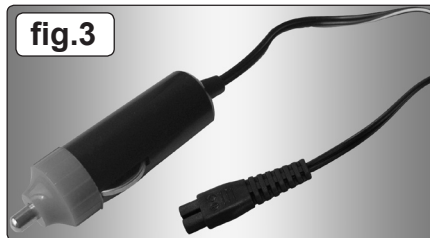
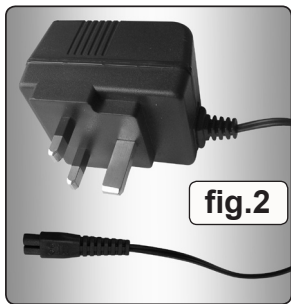
3.4.4. When full charge has been reached, unplug the adaptor from the vehicle's accessory socket and then from the floodlight. The floodlight is now ready for use.

3.4.5. Store the charger plug adaptor in a safe, dry location.

NOTE: Charging the floodlight from a 12V vehicle socket will drain the vehicle's battery, unless the engine is running.

NOTE: The Li-ion battery does not suffer from memory effect and once fully charged the floodlight may be stored for up to 6 months before recharging is required.





- ❑ **IMPORTANT WARRANTY INFORMATION:**
The battery fitted to this floodlight is considered to be a consumable item and its ability to accept charge will reduce over time. We will warranty it against mechanical and electrical defect for a period of one year - this does not cover fair wear and tear. If the battery is not properly charged before first use, or properly conditioned its capacity will diminish. Under these circumstances we will not replace the battery even if it is less than one year old.

4. MAINTENANCE

4.1. CHANGING THE BATTERY

- ❑ **WARNING!** Ensure that you read, understand and apply the safety instructions relating to the battery before changing it.
- 4.1.1. Ensure the floodlight is turned 'Off' before attempting to change the battery.
- 4.1.2. Undo the 5 retaining screws (fig.1.D) at the rear of the floodlight.
- 4.1.3. Remove the cover, carefully remove the glass and remove the LED panel from the floodlight body.
- 4.1.4. Undo the 2 battery retainer screws (fig.5.A) and remove the battery retainer.
- 4.1.5. Unplug the battery cable from the circuit board.
- 4.1.6. Remove the old battery and replace with genuine Sealey battery and install by reversing the above procedure.
- NOTE:** Take care not to pinch any wires.
- 4.1.7. Dispose of old batteries in accordance with local authority battery regulations. **DO NOT** dispose of with regular refuse.

Environmental Protection.



Recycle unwanted materials instead of disposing of them as waste. All tools, accessories and packaging should be sorted, taken to a recycle centre and disposed of in a manner which is compatible with the environment.



When the product is no longer required, it must be disposed of in an environmentally protective way. Contact your local solid waste authority for recycling information.

Battery Removal.



- ❑ **WARNING!** Ensure the floodlight is turned off before removing the battery

Refer to Section 4.1 to remove the battery.

Dispose of batteries according to local authority guidelines.

Under the Waste Batteries and Accumulators Regulations 2009, Jack Sealey Ltd are required to inform potential purchasers of products containing batteries (as defined within these regulations), that they are registered with Valpak's registered compliance scheme. Jack Sealey Ltd's Batteries Producer Registration Number (BPRN) is BPRN00705

Parts support is available for this product. To obtain a parts listing and/or diagram, please log on to www.sealey.co.uk, email sales@sealey.co.uk or phone 01284 757500.

NOTE: It is our policy to continually improve products and as such we reserve the right to alter data, specifications and component parts without prior notice.

IMPORTANT: No liability is accepted for incorrect use of this product.

WARRANTY: Guarantee is 12 months from purchase date, proof of which will be required for any claim.

INFORMATION: For a copy of our latest catalogue and promotions call us on 01284 757525 and leave your full name and address, including postcode.



Sole UK Distributor, Sealey Group,
Kempson Way, Suffolk Business Park,
Bury St. Edmunds, Suffolk,
IP32 7AR



01284 757500



www.sealey.co.uk



01284 703534



sales@sealey.co.uk