



100W LED HIGH BAY LIGHT 6000K

MODEL NO: LED100HB, LED150HB, LED200HB

Thank you for purchasing a Sealey product. Manufactured to a high standard, this product will, if used according to these instructions, and properly maintained, give you years of trouble free performance.



IMPORTANT: PLEASE READ THESE INSTRUCTIONS CAREFULLY. NOTE THE SAFE OPERATIONAL REQUIREMENTS, WARNINGS & CAUTIONS. USE THE PRODUCT CORRECTLY AND WITH CARE FOR THE PURPOSE FOR WHICH IT IS INTENDED. FAILURE TO DO SO MAY CAUSE DAMAGE AND/OR PERSONAL INJURY AND WILL INVALIDATE THE WARRANTY. KEEP THESE INSTRUCTIONS SAFE FOR FUTURE USE.

1. SAFETY

1.1. ELECTRICAL SAFETY

- WARNING!** It is the user's responsibility to check the following:
 - ✓ Check all electrical equipment and appliances to ensure that they are safe before using. Inspect power supply leads, plugs and all electrical connections for wear and damage. Sealey recommend that an RCD (Residual Current Device) is used with all electrical products.
 - Electrical safety information.** It is important that the following information is read and understood:
 - ✓ Ensure that the insulation on all cables and on the appliance is safe before connecting it to the power supply.
 - ✓ Regularly inspect power supply cables and plugs for wear or damage and check all connections to ensure that they are secure.
 - Important:** Ensure that the voltage rating on the appliance suits the power supply to be used and that the plug is fitted with the correct fuse.
 - ✗ **DO NOT** pull or carry the appliance by the power cable.
 - ✗ **DO NOT** pull the plug from the socket by the cable.
 - ✗ **DO NOT** use worn or damaged cables, plugs or connectors. Ensure that any faulty item is repaired or is replaced immediately by a qualified electrician.
- If the cable or plug is damaged during use, switch off the electricity supply and remove from use.
- Ensure that repairs are carried out by a qualified electrician.**
- ✓ Suitable for use indoors at -35°C to +50°C.
- ✓ The light source contained in this luminaire shall only be replaced by the manufacturer or his service agent or a similar qualified person.
- ✓ The external flexible cable or cord of this luminaire cannot be replaced; if the cord is damaged, the luminaire shall be destroyed.

2. INTRODUCTION

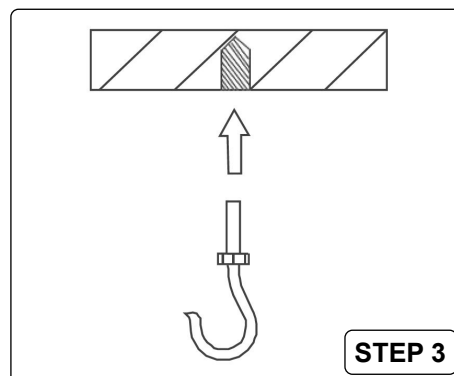
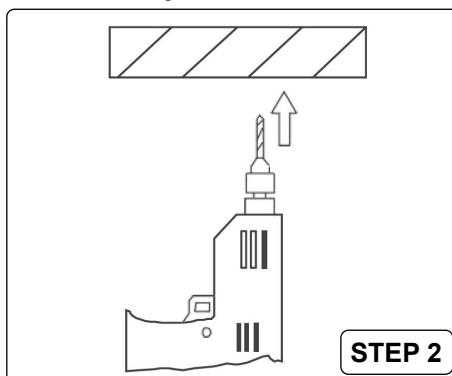
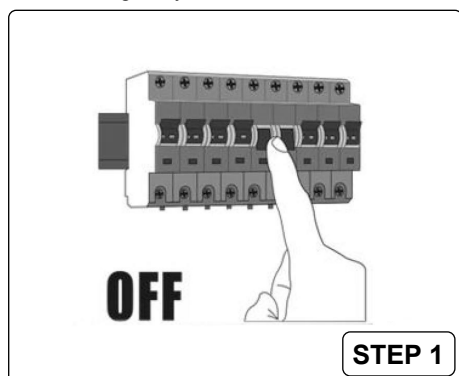
Super bright cool white light with 90° beam angle is capable of lighting a large area. Suitable for warehouses, manufacturing facilities or any large space. Highly efficient LED lights are brighter and significantly more energy efficient when compared to traditional incandescent, halogen or fluorescent lights. Robust and rust resistant aluminium body designed to keep the light cool with maximum heat dissipation, prolonging the life of the light. Supplied with an eyelet which can be used to hang the light from a chain, wire or rod. Mounting bracket also available Model No. HBB01 - Universal Bracket for High Bay Lights. Built-in DC Driver provides the optimum electrical input for the light which allows for a 50,000 hour lifespan.

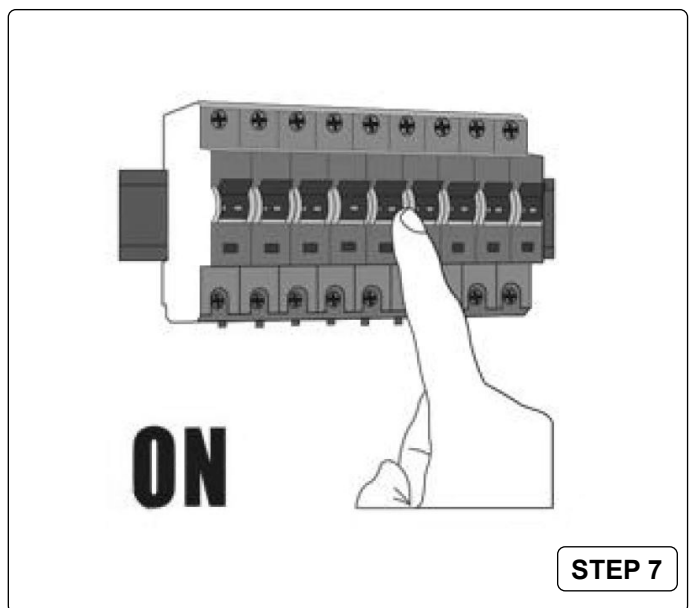
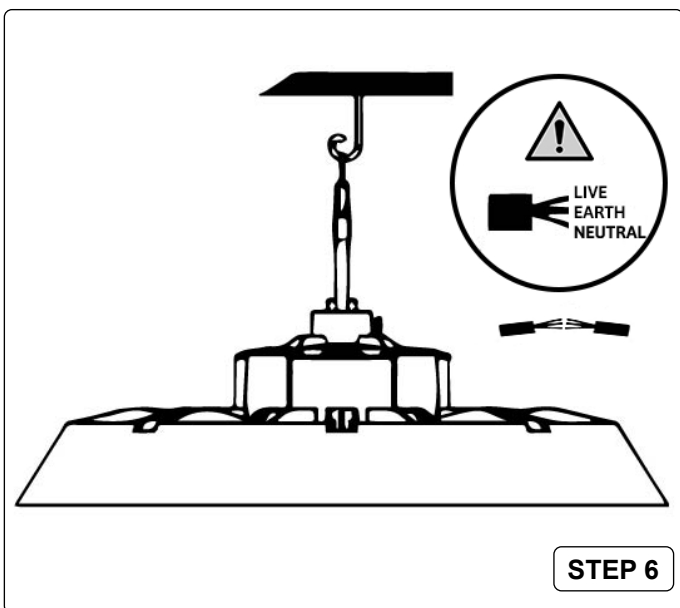
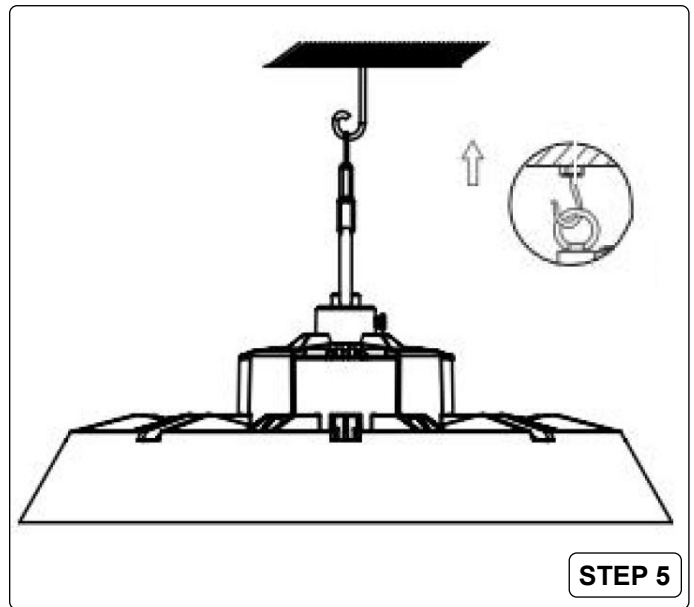
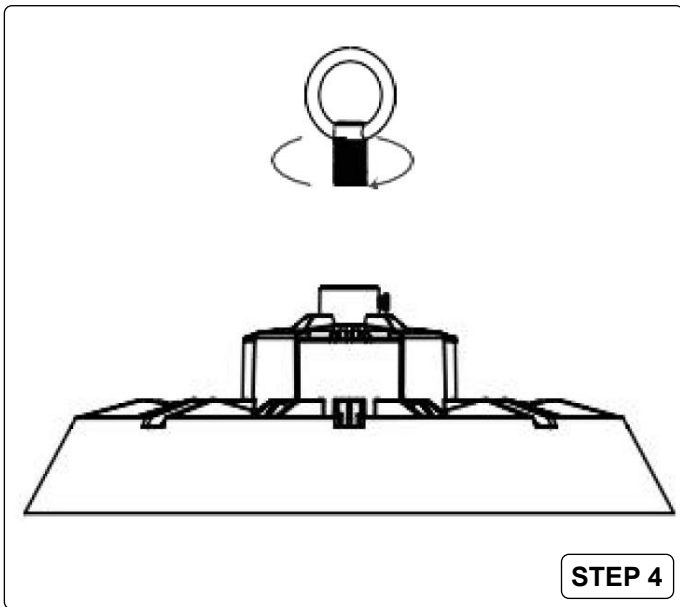
3. SPECIFICATION

MODEL NO:	LED100HB	LED150HB	LED200HB
Beam Angle:	90°	90°	90°
Dimensions:	230 x 230 x 85mm	280 x 280 x 90mm	325 x 325 x 90mm
IP Rating:	IP65	IP65	IP65
LED Type:	100W SMD LED	150W SMD LED	200W SMD LED
Lumen Output:	15000lm	22500lm	30000lm
Nominal Frequency	50Hz	50Hz	50Hz
Plug Type:	Bare Wire	Bare Wire	Bare Wire
Power:	100W	150W	200W

4. INSTALLATION

NOTE: the installation base must be able to support 10 times the weight of the product. High bays must be mounted a minimum of 6m from the ground.





ENVIRONMENT PROTECTION

Recycle unwanted materials instead of disposing of them as waste. All tools, accessories and packaging should be sorted, taken to a recycling centre and disposed of in a manner which is compatible with the environment. When the product becomes completely unserviceable and requires disposal, drain any fluids (if applicable) into approved containers and dispose of the product and fluids according to local regulations.



REGISTER YOUR PURCHASE HERE



WEEE REGULATIONS

Dispose of this product at the end of its working life in compliance with the EU Directive on Waste Electrical and Electronic Equipment (WEEE). When the product is no longer required, it must be disposed of in an environmentally protective way. Contact your local solid waste authority for recycling information.

Note: It is our policy to continually improve products and as such we reserve the right to alter data, specifications and component parts without prior notice.

Important: No Liability is accepted for incorrect use of this product.

Warranty: Guarantee is 12 months from purchase date, proof of which is required for any claim.

Sealey Group, Kempson Way, Suffolk Business Park, Bury St Edmunds, Suffolk. IP32 7AR



01284 757500



sales@sealey.co.uk



www.sealey.co.uk