



INSTRUCTIONS FOR:

FLOODLIGHTS WITH SWIVEL HEADS, WALL BRACKET & PIR SENSOR 10 & 20W LED 230V

MODEL No's: **LED045S, LED046S**

Thank you for purchasing a Sealey product. Manufactured to a high standard, this product will, if used according to these instructions, and properly maintained, give you years of trouble free performance.



IMPORTANT: PLEASE READ THESE INSTRUCTIONS CAREFULLY. NOTE THE SAFE OPERATIONAL REQUIREMENTS, WARNINGS & CAUTIONS. USE THE PRODUCT CORRECTLY AND WITH CARE FOR THE PURPOSE FOR WHICH IT IS INTENDED. FAILURE TO DO SO MAY CAUSE DAMAGE AND/OR PERSONAL INJURY AND WILL INVALIDATE THE WARRANTY. KEEP THESE INSTRUCTIONS SAFE FOR FUTURE USE.

1. SAFETY

1.1. ELECTRICAL.

- WARNING!** It is the user's responsibility to read, understand and comply with the following:
- WARNING!** THIS PRODUCT MUST BE INSTALLED BY A QUALIFIED ELECTRICIAN.
You must check all electrical equipment and appliances to ensure they are safe before using. You must inspect power supply leads, plugs and all electrical connections for wear and damage. You must ensure the risk of electric shock is minimised by the installation of appropriate safety devices. An RCCB (Residual Current Circuit Breaker) should be incorporated in the main distribution board.
You must also read and understand the following instructions concerning electrical safety.
- 1.1.1. Ensure the light is connected to an appropriate electrical on/off switch.
- 1.1.2. Ensure the insulation on all cables and the product itself is safe before connecting to the mains power supply.
- 1.1.3. Ensure that cables are always protected against short circuit and overload.
- 1.1.4. Regularly inspect power supply, leads, plugs and all electrical connections for wear and damage, especially power connections, to ensure that none are loose.
- 1.1.5. **Important:** Ensure the voltage marked on the product is the same as the electrical power supply to be used.
- 1.1.6. **DO NOT** pull power cable once installed.
- 1.1.7. **DO NOT** pull power plugs from sockets by the power cable.
- 1.1.8. **DO NOT** use worn or damaged leads, plugs or connections. Replace immediately or have repaired by a qualified Electrician.

1.2. GENERAL SAFETY.

- WARNING! Turn off the mains power supply before servicing or performing any maintenance.**
- ✓ Maintain the light in good condition (Repairs must only be undertaken by a qualified electrician).
- ✓ Replace or repair damaged parts. Use genuine parts only, unauthorised parts may be dangerous and will invalidate the warranty.
- ✓ Ensure the light is installed correctly in accordance with these instructions
- ✓ Ideally the Installation should be away from flammable or combustible materials such as wood, cloth, paper etc.
- DANGER! DO NOT direct the light into a persons eyes. This unit has a very intensive light output, which if incorrectly used could cause eye damage.**
- x **DO NOT** install the light where it is likely to be knocked or hit.
- x **DO NOT** install in bathrooms, shower rooms, sauna or such locations.
- x **DO NOT** install near an exhaust outlet. e.g: boiler flue, air conditioning units etc.
- x **DO NOT** touch the light when operating, allow to cool before touching. The heat sink behind the lamp can become very hot.
- x **DO NOT** use the light without the front glass shield. Avoid touching the glass shield as handling may reduce its serviceable life and cause the glass to crack.



2. INTRODUCTION

Motion detector unit switches on when approached by vehicles or persons. Mounted in die-cast aluminium housings with pre-drilled holes for wall mounting. Features 4 (LED045S) or 8 (LED046S) high power Epistar™ LEDs mounted in a swivelling head. Supplied without mains cable and suitable for outdoor mounting.

3. SPECIFICATION

Model No:	LED045S	LED046S
Power:	10W	20W
Lumen Output:	720lm	1440lm
Supply:	230V	230V

4. INSTALLATION

DO NOT connect to the electrical supply until the installation is complete.

- 4.1. The maximum mounting height for mounting the light is 3m from the ground.
- 4.2. Remove the mounting plate from the control box by removing the screw on either side. Mark the area on which the lamp is to be mounted, using the plate as a template (fig.1).
- 4.3. Ensure that the two marks are level and drill ready to receive the screws, using masonry plugs if necessary.
- 4.4. If the cable is to be led from the bottom of the mounting plate, carefully snap the plastic web from the cut-out behind the grommet (fig.2).
- 4.5. Feed the end of the supply cable (1mm² cross sectional area) through the grommet and screw the mounting plate to the wall.
- 4.6. Connect the live (brown) and neutral (blue) wires to the live and neutral terminals in the connector block (fig.3). This lamp is double insulated, and does not require earthing.
- 4.7. Replace the control box on the mounting plate and secure by inserting and tightening the screw on either side.
- 4.8. It is now safe to connect to the mains supply.

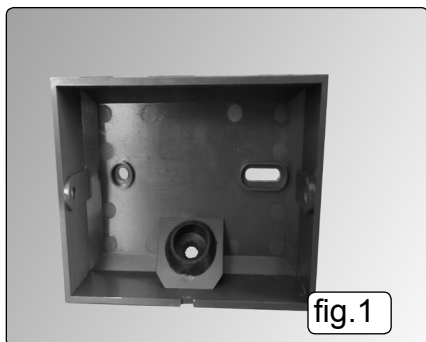


fig.1

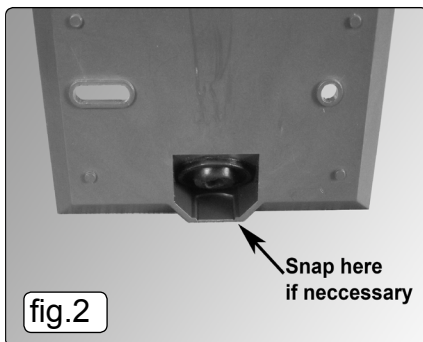


fig.2

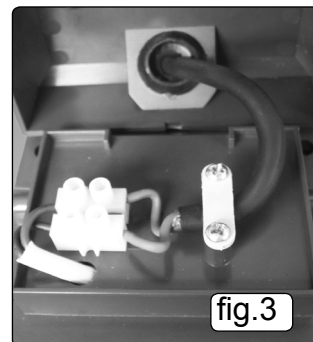


fig.3

- 4.9. The lamp unit may be pointed down to a maximum of 90° and panned to 30° for the LED046S and 20° left, 40° right for the LED045S (fig.4).
- 4.10. The detector head may be moved to 90° in each direction.(fig.4)

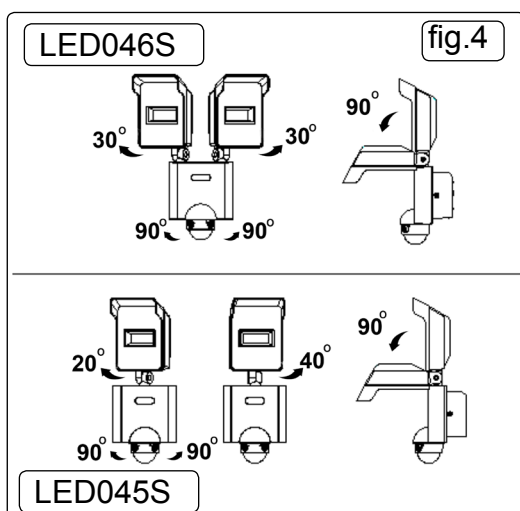


fig.4

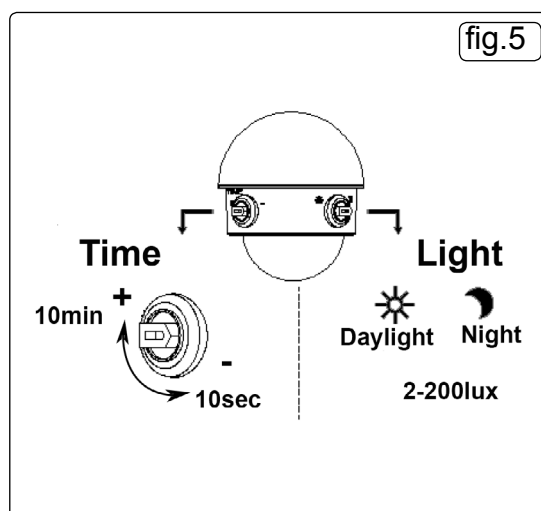


fig.5

- 4.11. The infra-red detector is equipped with two adjusting dials (fig.5).
- 4.11.1. The left hand dial determines the interval that the light will remain illuminated having been triggered.
- 4.11.2. The right hand dial controls the light level at which the lamp is triggered. The unit should switch on at dusk at approx. 30lux.
- 4.11.3. When installed at 3m above ground level, the detection range is approximately 10m.

5. MAINTENANCE

- 5.1. Repairs must only be undertaken by a qualified electrician.
- 5.2. Clean the light with a dry, dust-free cloth. **DO NOT** use solvents, or abrasives to clean the light.
- 5.3. **DO NOT** play a high pressure hose onto the lamp or control box.
- 5.4. If necessary clean the glass shield (when cold) with alcohol and a soft cloth. If the glass is damaged, **DO NOT** use the light without the glass shield.

Parts support is available for this product. To obtain a parts listing and/or diagram, please log on to www.sealey.co.uk, email sales@sealey.co.uk or telephone 01284 757500.

Environmental Protection



Recycle unwanted materials instead of disposing of them as waste. All tools, accessories and packaging should be sorted, taken to a recycling centre and disposed of in a manner which is compatible with the environment. When the product becomes completely unserviceable and requires disposal, drain off any fluids (if applicable) into approved containers and dispose of the product and the fluids according to local regulations.



WEEE Regulations

Dispose of this product at the end of its working life in compliance with the EU Directive on Waste Electrical and Electronic Equipment (WEEE). When the product is no longer required, it must be disposed of in an environmentally protective way. Contact your local solid waste authority for recycling information.

NOTE: It is our policy to continually improve products and as such we reserve the right to alter data, specifications and component parts without prior notice.

IMPORTANT: No liability is accepted for incorrect use of this product.

WARRANTY: Guarantee is 12 months from purchase date, proof of which will be required for any claim.

INFORMATION: For a copy of our latest catalogue and promotions call us on 01284 757525 and leave your full name and address, including postcode.



Sole UK Distributor, Sealey Group,
Kempson Way, Suffolk Business Park,
Bury St. Edmunds, Suffolk,
IP32 7AR



01284 757500

01284 703534



www.sealey.co.uk

sales@sealey.co.uk