



INTERCHANGEABLE 3-IN-1 COB LED RECHARGEABLE INSPECTION LIGHT

MODEL NO: **LED0131R**

Thank you for purchasing a Sealey product. Manufactured to a high standard, this product will, if used according to these instructions, and properly maintained, give you years of trouble free performance.

IMPORTANT: PLEASE READ THESE INSTRUCTIONS CAREFULLY. NOTE THE SAFE OPERATIONAL REQUIREMENTS, WARNINGS & CAUTIONS. USE THE PRODUCT CORRECTLY AND WITH CARE FOR THE PURPOSE FOR WHICH IT IS INTENDED. FAILURE TO DO SO MAY CAUSE DAMAGE AND/OR PERSONAL INJURY AND WILL INVALIDATE THE WARRANTY. KEEP THESE INSTRUCTIONS SAFE FOR FUTURE USE.



Refer to instructions

1. SAFETY

1.1. ELECTRICAL SAFETY

- ✓ Inspect the cable and connector for wear and damage to ensure items are safe before connecting to the power supply. If worn or damaged **DO NOT** use.
- ✓ Ensure the lamp is fully charged before initial use.
- ✗ **DO NOT** charge in damp conditions.
- ✗ **DO NOT** turn the lamp on when it is being charged.
- ✗ **DO NOT** shine directly into your, another person's or an animal's eyes.
- ✗ **DO NOT** allow children to use the lamp.
- ✗ **DO NOT** handle or move the lamp whilst it is being charged.
- ✗ **DO NOT** use the lamp if you suspect that the battery or the lamp casing is damaged.
- ✗ **DO NOT** leave battery in a discharged state, recharge battery immediately. Before storage, fully recharge the battery, subsequently recharge the battery at least once every six months of non-use.
- ✗ **DO NOT** attempt to open, disassemble, modify or service the battery pack.
- ✗ **DO NOT** crush, puncture, short external contacts or dispose of in fire or water.
- ✗ **DO NOT** expose to temperatures above 60°C (140°F).
- ✓ Replace only with the battery pack designated for this product.
- ✓ Recycle or dispose of used battery as stipulated by local regulation.
- ✓ If the electrolyte in the cells gets on your skin, thoroughly wash with soap and water. If it gets in your eyes, rinse thoroughly with cool water and seek immediate medical attention.

IMPORTANT WARRANTY INFORMATION

The battery fitted to this lamp is considered to be a consumable item and its ability to accept a charge will reduce over time.

We will provide warranty against mechanical and electrical defect for a period of one year - this does not cover fair wear and tear.

If the battery is not properly charged before first use, or regularly conditioned, its capacity will diminish.

Under these circumstances we will not replace the battery regardless of whether the battery is less than one year old.

2. INTRODUCTION

Innovative 3-in-1 work light. Threaded interface enables user to change between 1000 lumen torch with sliding focus, 450 lumen work light and a 300 lumen flexi-head. Features a power indicator on the switch and a magnet on the base for hands-free operation. Supplied in a presentation box with a high quality micro USB cable.

3. SPECIFICATION

Model No:	LED0131R
Battery:	3.7V 2200mAh Lithium-ion
Charging Time:	7hrs
LED Type:	5W LED + 5W COB + 10W SMD
Lumen Output COB:	450lm, Flexi-head light: 300lm. Torch:1000lm
IP Rating	IPX4
Operating Time	(High): Flexi-headlight: 11hrs COB:4.2hrs. Torch 3.3hr

4. OPERATION

4.1. CHARGING

- 4.1.1. Insert USB cable into mains plug (Not supplied) and plug into mains supply.
- 4.1.2. Remove USB socket cover on side of main body of torch.
- 4.1.3. Connect the USB lead to the port on the side of the main body and a USB power socket. Turn on the power supply.
- 4.1.4. Switch off power supply, remove charging lead and replace socket cover.

4.2. OPERATION

4.2.1. TORCH

- 4.2.1.1. Attach torch head by screwing onto main body.
- 4.2.1.2. To turn on press the on/off button, once for brightest, again for low light and once more to turn off.
- 4.2.1.3. The torch has a sliding focus.
- 4.2.1.4. To remove the torch head unscrew from main body.
- 4.2.1.5. Torch has a magnetic base for hands free use.

4.2.2. INSPECTION LAMP

- 4.2.2.1. Attach inspection lamp head by screwing onto main body.
- 4.2.2.2. The inspection lamp can be tilted through 180°.
- 4.2.2.3. To turn on press the on/off button once for low light, twice for brightest and once more for off.
- 4.2.2.4. Press on/off to turn off.

4.2.3. FLEXIBLE INSPECTION LAMP

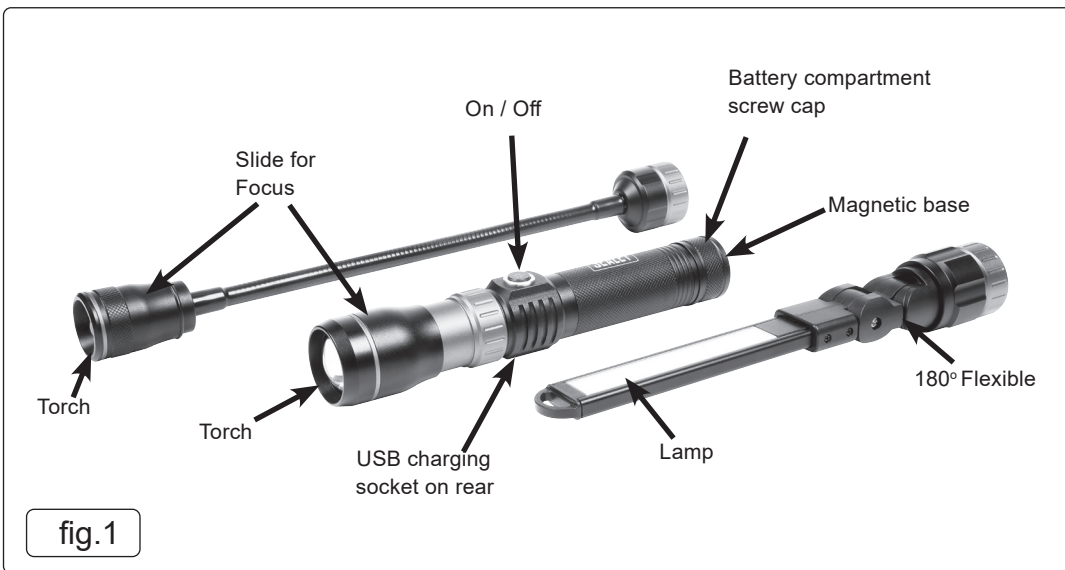
- 4.2.3.1. Press on/off to turn on and off.
- 4.2.3.2. Flexible inspection lamp has adjustable focus and a 350mm flexible neck for use in areas where access is limited.

4.3. BATTERY INSTALLATION/REMOVAL


- 4.3.1. Unscrew end cap on main body of torch.(fig.1)
- 4.3.2. Slide the battery into/out of the body of the torch
- 4.3.3. Screw end cap back onto torch body.


5. MAINTENANCE


- 5.1. Keep lamp clean and check for damage before every use. If damage is observed, remove from use until unit is repaired.




Parts support is available for this product. Please email sales@sealey.co.uk or telephone 01284 757500

 **BATTERY REMOVAL**
See section 4.3. Batteries should be disposed of in an environmentally protective way. Under the Waste Batteries and Accumulators Regulations 2009, Jack Sealey Ltd are required to inform potential purchasers of products containing batteries (as defined within these regulations), that they are registered with Valpak's registered compliance scheme. Jack Sealey Ltd's Batteries Producer Registration Number (BPRN) is BPRN00705.

 **ENVIRONMENT PROTECTION**
Recycle unwanted materials instead of disposing of them as waste. All tools, accessories and packaging should be sorted, taken to a recycling centre and disposed of in a manner which is compatible with the environment. When the product becomes completely unserviceable and requires disposal, drain any fluids (if applicable) into approved containers and dispose of the product and fluids according to local regulations.


REGISTER YOUR PURCHASE HERE

 **WEEE REGULATIONS**
Dispose of this product at the end of its working life in compliance with the EU Directive on Waste Electrical and Electronic Equipment (WEEE). When the product is no longer required, it must be disposed of in an environmentally protective way. Contact your local solid waste authority for recycling information.

NOTE: It is our policy to continually improve products and as such we reserve the right to alter data, specifications and component parts without prior notice.

IMPORTANT: No Liability is accepted for incorrect use of this product.

WARRANTY: Guarantee is 12 months from purchase date, proof of which is required for any claim.

Sealey Group, Kempson Way, Suffolk Business Park, Bury St Edmunds, Suffolk. IP32 7AR

 01284 757500  sales@sealey.co.uk  www.sealey.co.uk