



2-WAY LADDER STAND-OFF

MODEL NO: LAD004

Thank you for purchasing a Sealey product. Manufactured to a high standard, this product will, if used according to these instructions, and properly maintained, give you years of trouble free performance.

IMPORTANT: PLEASE READ THESE INSTRUCTIONS CAREFULLY. NOTE THE SAFE OPERATIONAL REQUIREMENTS, WARNINGS & CAUTIONS. USE THE PRODUCT CORRECTLY AND WITH CARE FOR THE PURPOSE FOR WHICH IT IS INTENDED. FAILURE TO DO SO MAY CAUSE DAMAGE AND/OR PERSONAL INJURY AND WILL INVALIDATE THE WARRANTY. KEEP THESE INSTRUCTIONS SAFE FOR FUTURE USE.



Refer to instructions

1. SAFETY

- ▲ **DANGER! Take care when using or moving ladders in the vicinity of power cables - risk of potentially fatal electric shock.**
- **WARNING!** Ensure Health and Safety, local authority and general workshop practice regulations are adhered to when using the 2 way ladder standoff.
- ✓ Familiarise yourself with the application and limitations of the 2 way ladder standoff, as well as all potential hazards.
- ✓ Maintain the 2 way ladder standoff in good condition.
- ✓ Replace or repair damaged parts. Use genuine parts only. Unauthorised parts may be dangerous and will invalidate the warranty.
- × **DO NOT** use the 2 way ladder standoff if any parts are damaged or missing. This may cause failure and/or personal injury.
- **WARNING!** Use the ladder on level ground. Anchor the ladder's lowest rung and if possible secure the top of the ladder to prevent any slippage.
- ✓ When viewed from the front, the top of the ladder section(s) must always be directly above the base.
- ✓ Place the ladder at an angle of 75°. Use the 1 in 4 rule (one unit out for every four units up).
- × **DO NOT** rest the 2 way ladder standoff against weak surfaces such as glazing or plastic guttering.
- **WARNING!** Never overreach, maintain 3 points of contact to the ladder.
- ✓ Keep children and unauthorised persons away from the working area.
- × **DO NOT** use the 2 way ladder standoff for any purpose other than that for which it is designed.
- × **DO NOT** allow children to climb the ladder.
- × **DO NOT** work off ladders when you are tired or under the influence of alcohol, drugs or intoxicating medication.
- ✓ When not in use store in a safe, dry, childproof area.

2. INTRODUCTION

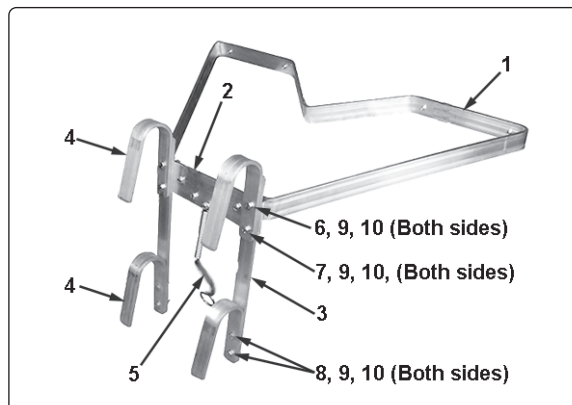
Heat treated aluminium framed ladder stand-off improves stability and fits to any ladder. The "V" Type design can be used on flat surfaces, corners or over down pipes. Fitted with rubber feet to prevent slipping and positions ladder 250-400mm away from wall. Quick and easy to assemble.

3. SPECIFICATION

Model No: LAD004
 Maximum capacity: 110kg
 Span width: 700mm
 Standoff: 250-400mm

4. CONTENTS

ITEM	DESCRIPTION	QTY
1	Standoff frame	1
2	Brace	1
3	Hook brackets	2
4	Hooks	4
5	Spring	1
6	Bolt M6 x 35mm	2
7	Bolt M6 x 30mm	2
8	Bolt M6 x 25mm	4
9	M6 Flat washer	8
10	M6 Hex nut	8



5. ASSEMBLY

NOTE: The standoff frame is supplied with the brace (#2) and the spring (#5) attached.

5.1. ATTACHING THE HOOKS

NOTE: The lower hooks (#4), M6 x 25mm bolt (#8), M6 flat washer (#9) and the M6 hex nut (#10) are supplied attached to the hook brackets (#3).

Also the upper hooks (#4), M6 x 35mm bolt (#6), M6 x 30mm bolt (#7), M6 flat washer (#9) and the M6 hex nut (#10) are supplied loosely assembled to the hook brackets (#3).

- 5.1.1. On the upper hook (#4) and the hook brace (#3), undo and remove the M6 flat washer (#9) and the M6 hex nut (#10) from the M6 x 35mm bolt (#6), and the M6 x 30mm bolt (#7) leaving the bolts within their fixing holes.
- 5.1.2. Locate the upper hook (#4), hook bracket (#3), M6 x 35mm bolt (#6) and the M6 x 30mm bolt (#7) with the corresponding holes on the brace (#2).
- 5.1.3. Refit the M6 flat washer (#9) and M6 hex nut (#10) to the M6 x 35mm bolt (#6) and the M6 x 30mm bolt (#7) and fully tighten.
- 5.1.4. Repeat for the other hook (#4).

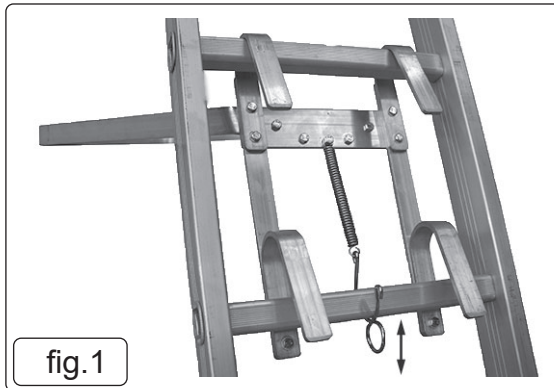
6. OPERATION

6.1. ATTACHING 2 WAY LADDER STANDOFF TO A LADDER

- 6.1.1. Place the 2 way ladder standoff assembly over the top rungs of the ladder (fig 1).
- 6.1.2. Secure into position by gripping onto the springs handle loop whilst pulling down on the spring until it locks into position around the ladder rung (fig 1).

6.2. REMOVING 2 WAY LADDER STANDOFF FROM LADDER

- 6.2.1. Grip onto the springs handle loop and pull down until the spring is below the ladder rung, and then swing outwardly, then carefully allow the spring to fully retract.
- 6.2.2. Remove from the ladder and store the 2 way ladder standoff in it's original packaging in a safe, dry, childproof location.
 - **WARNING!** Be aware of the strength of the spring. Care should be exercised when extending or releasing the spring as an uncontrolled release may cause personal injury.



7. MAINTENANCE

- 7.1. Periodically check that all fixings are tight and secure.
- 7.2. Check that the rubber pads are in good condition and not worn.

8. CLEANING

- 8.1. Clean with a damp cloth.
 - × **DO NOT** use solvents to clean the 2 way ladder standoff.



ENVIRONMENT PROTECTION

Recycle unwanted materials instead of disposing of them as waste. All tools, accessories and packaging should be sorted, taken to a recycling centre and disposed of in a manner which is compatible with the environment. When the product becomes completely unserviceable and requires disposal, drain any fluids (if applicable) into approved containers and dispose of the product and fluids according to local regulations.

Note: It is our policy to continually improve products and as such we reserve the right to alter data, specifications and component parts without prior notice.

Important: No Liability is accepted for incorrect use of this product.

Warranty: Guarantee is 12 months from purchase date, proof of which is required for any claim.

Sealey Group, Kempson Way, Suffolk Business Park, Bury St Edmunds, Suffolk. IP32 7AR



01284 757500



01284 703534



sales@sealey.co.uk



www.sealey.co.uk