



SEALEY 90PC JUNIOR TOY TOOL KIT WITH WORK BENCH

MODEL NO: **JTK2**

Thank you for purchasing a Sealey product. Manufactured to a high standard, this product will, if used according to these instructions, and properly maintained, give you years of trouble free performance.

IMPORTANT: PLEASE READ THESE INSTRUCTIONS CAREFULLY. NOTE THE SAFE OPERATIONAL REQUIREMENTS, WARNINGS & CAUTIONS. USE THE PRODUCT CORRECTLY AND WITH CARE FOR THE PURPOSE FOR WHICH IT IS INTENDED. FAILURE TO DO SO MAY CAUSE DAMAGE AND/OR PERSONAL INJURY AND WILL INVALIDATE THE WARRANTY. KEEP THESE INSTRUCTIONS SAFE FOR FUTURE USE.



Refer to instruction manual



Not suitable for children under 3

1. SAFETY

- WARNING!** This product is unsuitable for children under the age of 3 years of age EN 71-1 Compliant.
- WARNING!** To be used under the supervision of an adult.
- WARNING!** Assembly should be completed by adults only.
- WARNING!** The hat and goggles are only a toy, and therefore do not provide protection.
- WARNING!** The hat and goggle labels must be applied to the product.
- WARNING!** Failure to follow the precautions in the instructions will expose the user to hazards.
- ✓ Inspect tools regularly to ensure that they are in an adequate condition for safe use.
- ✓ Prevent unintentional starting. Ensure the drill batteries are removed when not in use.
- ✗ **DO NOT** attempt to try and charge the battery pack on any of the range of Sealey main line chargers. It is not compatible.
- ✓ Only batteries of the same or equivalent type, as recommended, are to be used.
- ✗ **DO NOT** dispose of batteries in fire, as batteries may explode or leak.
- ✗ **DO NOT** mix old and new batteries or types of batteries (i.e. alkaline/standard/rechargeable).
- WARNING!** Non-rechargeable batteries are not to be recharged.
- WARNING!** The supply terminals are not to be short-circuited.
- WARNING!** Rechargeable batteries are only to be charged under adult supervision.
- WARNING!** Batteries are to be inserted with the correct polarity.
- ✓ Recycle or dispose of used batteries as stipulated by local regulation.
- ✗ **DO NOT** allow a child to put any of the toy tool set in their mouth small parts could be a choking hazard.
- ✗ **DO NOT** leave near an exposed heat source or naked flame.
- ✗ **DO NOT** get the drill or batteries wet or use in damp or wet locations.
- ✗ **DO NOT** submerge in water or liquids.
- ✗ **DO NOT** drop or throw the drill or components.
- ✗ **DO NOT** use tool set unless you have been instructed in its use by a parent or guardian.
- ✓ After use clean, inspect for damage and store in a safe, dry, location.
- ✓ Only for domestic use.

2. INTRODUCTION

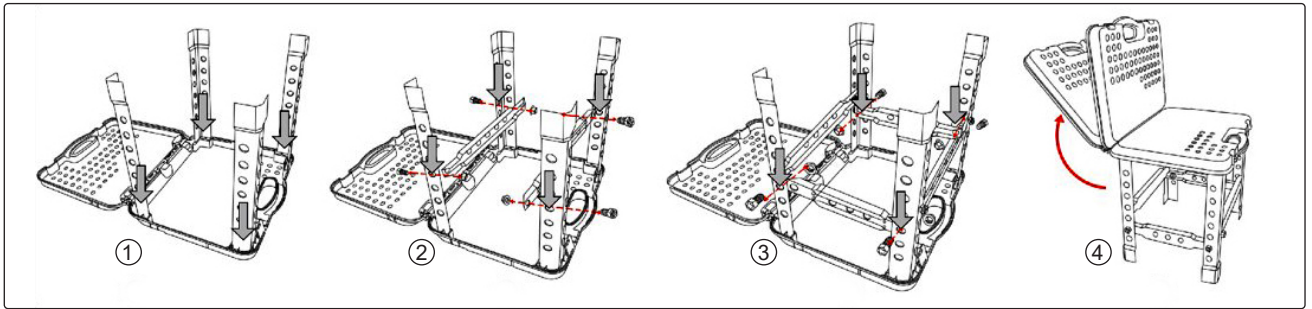
All the basics for every budding builder to be able to help with DIY tasks around the home, complete with workbench. Battery powered drill supplied with three attachments. For added realism the drill is fitted with a working light as well as forward and reverse motion for a range of purposes (requires 3 x AA batteries - not included). Suitable for children 3+ years old, EN 71-1 compliant. Contents: Workbench, Screwdriver (x2), Adjustable Wrench, Pliers, Hammer, Saw, Electric Drill with Assorted Drill Bits, Spanner (x2), Nuts (x20), Bolts (x20), Pre-drilled Blocks (x3), Pre-Drilled shapes (x6), Hooks (x10), Hat, Goggles, Double-Sided Tape Measure, Tray, T-Wrench, Plugs (x2), Vice.

3. SPECIFICATION

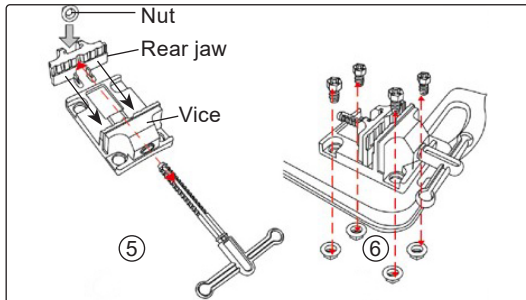
Model No:	JTK2
Nett Weight:	1.83kg
Contents:	Workbench, Screwdriver (x2), Adjustable Wrench, Pliers, Hammer, Saw, Electric Drill with Assorted Drill Bits, Spanner (x2), Nuts (x20), Bolts (x20), Pre-drilled Blocks (x3), Pre-Drilled Shapes (x6), Hooks (x10), Hat, Goggles, Double-Sided Tape Measure, Tray, T-Wrench, Plugs (x2), Vice.



4. ASSEMBLY



1. Insert the 4 work bench legs into the underside of the work bench. 2. Attach front and rear cross supports using supplied nuts and bolts. Use the 4th hole in the work bench legs as shown.
3. Attach the cross supports to the side of the work bench legs using the supplied nuts and bolts. Use the 3rd hole as shown. 4. Turn work bench over onto it's feet. Click the back into position as shown.

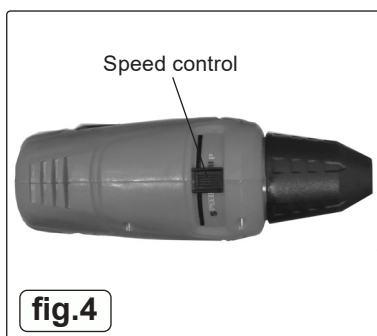
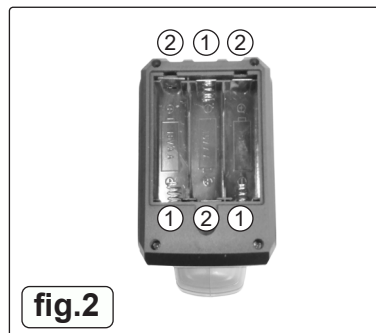
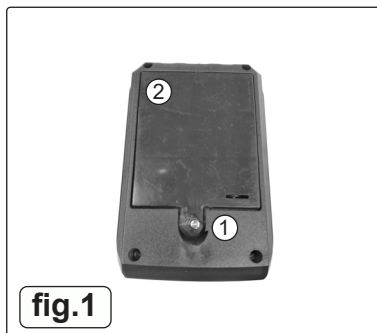


5. Insert a nut into the rear section of the rear jaw. Place the rear jaw section into the vice and turn the threaded screw to assemble. 6. Bolt the vice to the work bench using 4 nuts and bolts as shown.

5. OPERATION

5.1. FITMENT OF BATTERIES

- 5.1.1. To fit batteries see fig.1 and fig.2. To remove the batteries in their pack from the equipment, depress the spring loaded button on the battery pack. Remove the battery pack by sliding out. **DO NOT** touch the metal battery terminals.
- 5.1.2. Remove screw (Fig.1) and then remove battery cover (Fig.2).
- 5.1.3. Fit AA batteries x3 starting from spring end negative - (Fig.2) compressing spring and then slotting battery positive end + into the metal tipped end (Fig.2). 'Remove exhausted batteries from the drill to prevent damage. Remove the batteries from the unit during extended periods of non-use'.



5.2. USING THE DRILL

- 5.2.1. Ensure that you have read, understood and comply with all the safety instructions in section 1.
- 5.2.2. Refer to fig.3 and fig.4 for use.

6. MAINTENANCE

6.1. CLEANING AND CARE

- 6.1.1. Remove dirt with a damp soft cloth or sponge. **DO NOT** use water or liquids on the drill.
- 6.1.2. Retain the packaging and instructions as it contains important information.



ENVIRONMENT PROTECTION

Recycle unwanted materials instead of disposing of them as waste. All tools, accessories and packaging should be sorted, taken to a recycling centre and disposed of in a manner which is compatible with the environment. When the product becomes completely unserviceable and requires disposal, drain any fluids (if applicable) into approved containers and dispose of the product and fluids according to local regulations.



WEEE REGULATIONS

Dispose of this product at the end of its working life in compliance with the EU Directive on Waste Electrical and Electronic Equipment (WEEE). When the product is no longer required, it must be disposed of in an environmentally protective way. Contact your local solid waste authority for recycling information.

Note: It is our policy to continually improve products and as such we reserve the right to alter data, specifications and component parts without prior notice.

Important: No Liability is accepted for incorrect use of this product.

Warranty: Guarantee is 12 months from purchase date, proof of which is required for any claim.

Sealey Group, Kempson Way, Suffolk Business Park, Bury St Edmunds, Suffolk. IP32 7AR



01284 757500



sales@sealey.co.uk



www.sealey.co.uk