

Thank you for purchasing a Sealey product. Manufactured to a high standard, this product will, if used according to these instructions, and properly maintained, give you years of trouble free performance.

**IMPORTANT:** PLEASE READ THESE INSTRUCTIONS CAREFULLY. NOTE THE SAFE OPERATIONAL REQUIREMENTS, WARNINGS & CAUTIONS. USE THE PRODUCT CORRECTLY AND WITH CARE FOR THE PURPOSE FOR WHICH IT IS INTENDED. FAILURE TO DO SO MAY CAUSE DAMAGE AND/OR PERSONAL INJURY AND WILL INVALIDATE THE WARRANTY. KEEP THESE INSTRUCTIONS SAFE FOR FUTURE USE.



Refer to instruction manual

### 1. SAFETY

- WARNING!** Ensure Health & Safety, local authority, and general workshop practice regulations are adhered to when using this jack stand.
- ✓ Locate jack stand in a suitable place away from high traffic areas.
- ✓ Keep the area clean, uncluttered and ensure there is adequate lighting.
- WARNING!** Use jack stand on level and solid ground, preferably concrete.
- ✓ Keep the jack stand clean and tidy in accordance with good workshop practice.
- ✓ Keep children and unauthorised persons away from the jack stand.
- \* **DO NOT** use the jack stand for any purpose other than that for which it is designed.
- \* **DO NOT** clean the jack stand with harsh chemicals which may damage the surface/protective coating.
- WARNING!** It is recommended that the jack stand is assembled by 2 people.

### 2. CONTENTS & ASSEMBLY

No.	Item	Qty
1	Lintel	1
2	Diaphragm assembly	1
3	Column	2
4	Left diagonal brace assembly	1
5	Right diagonal brace assembly	1
6	Drawbar	2
7	Brace strut	2
8	Long screw	1
9	Long and short screw	1
10	Short screw	1
11	Double snap ring	4
12	Lock nut M6	4
13	Bolt M10 x 50 Hex Head	6
14	Bolt M10 x 60 Hex Head	2
15	Bot M10 x 40 Hex Head	2
16	Flat Washer 10	16
17	Spring Washer 10	16
18	Nut M10	16

2.1. Assemble the unit as per the diagram.

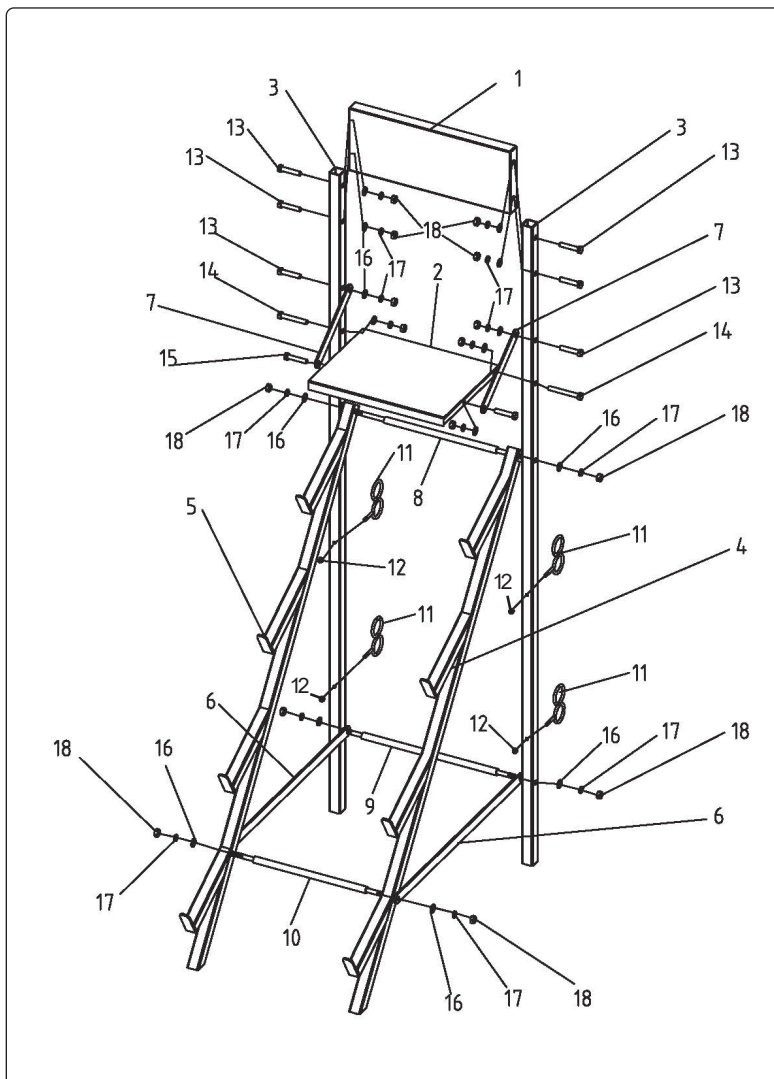
**NOTE:** It is recommended that the jack stand is assembled by 2 people.

2.2. Ensure all components are tightened and secure before use.

### 3. MAINTENANCE

3.1. Clean with a soft, damp cloth.

- \* **DO NOT** use abrasive or solvent cleaners.





#### ENVIRONMENT PROTECTION

Recycle unwanted materials instead of disposing of them as waste. All tools, accessories and packaging should be sorted, taken to a recycling centre and disposed of in a manner which is compatible with the environment. When the product becomes completely unserviceable and requires disposal, drain any fluids (if applicable) into approved containers and dispose of the product and fluids according to local regulations.



REGISTER YOUR  
PURCHASE HERE

**Note:** It is our policy to continually improve products and as such we reserve the right to alter data, specifications and component parts without prior notice.

**Important:** No Liability is accepted for incorrect use of this product.

**Warranty:** Guarantee is 12 months from purchase date, proof of which is required for any claim.

Sealey Group, Kempson Way, Suffolk Business Park, Bury St Edmunds, Suffolk. IP32 7AR



01284 757500



sales@sealey.co.uk



www.sealey.co.uk