



INSTRUCTIONS FOR LIFTING KIT 2 TONNE 5PC MODEL NO: JKIT01

Thank you for purchasing a Sealey product. Manufactured to a high standard, this product will, if used according to these instructions, and properly maintained, give you years of trouble free performance.

IMPORTANT: PLEASE READ THESE INSTRUCTIONS CAREFULLY. NOTE THE SAFE OPERATIONAL REQUIREMENTS, WARNINGS & CAUTIONS. USE THE PRODUCT CORRECTLY AND WITH CARE FOR THE PURPOSE FOR WHICH IT IS INTENDED. FAILURE TO DO SO MAY CAUSE DAMAGE AND/OR PERSONAL INJURY AND WILL INVALIDATE THE WARRANTY. KEEP THESE INSTRUCTIONS SAFE FOR FUTURE USE.



Refer to
Instructions

1. SAFETY

TROLLEY JACK

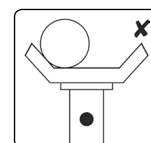
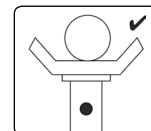
- ✓ Ensure the jack is in sound condition and good working order. Take action for immediate repair or replacement of damaged parts. Use genuine parts only. The use of improper parts may be dangerous and will invalidate the warranty.
- ✓ Locate the jack in a suitable, well lit working area.
- ✓ Keep working area clean and tidy and free from unrelated materials.
- ✓ Use jack on level and solid ground, preferably concrete. *Avoid tarmac as jack may sink in.*
- ✓ Place chocks under wheels of vehicle (*but ensure wheels of jack can freely move*).
- ✓ Ensure the vehicle handbrake is engaged, engine is switched off and transmission is in gear (or "PARK" if automatic).
- ✓ Ensure minimum distance of 0.5m between vehicle and static objects such as doors, walls, etc., to allow for vehicle tilting.
- ✓ Ensure there are no passengers in the vehicle.
- ✓ Ensure all non-essential persons keep a safe distance whilst the jack is in use.
- ✓ Only place jack under those lifting points recommended by vehicle manufacturer (*see vehicle handbook*).
- ✓ Check the lifting point is stable and centred on the jack saddle.
- ✓ Ensure the jack wheels are free to move and that there are no obstructions.
- ▲ **DANGER!** Use the jack for lifting only, **NOT** for supporting the lifted load.
- ✓ Use suitable capacity axle stands under the vehicle before proceeding with any task.
- ✓ Ensure there are no persons or obstructions beneath the vehicle before lowering.
- ✓ Use a qualified person to maintain or repair the jack hydraulic system.
- * **DO NOT** operate the jack if damaged.
- * **DO NOT** allow untrained persons to operate the jack.
- * **DO NOT** exceed the rated capacity of the jack (2 tonne). When lifting a load of maximum capacity or close to it, it is recommended that the effort be reduced by the use of assistance during this operation.
- * **DO NOT** allow the vehicle to move while supported by the jack, or use the jack to move the vehicle.
- * **DO NOT** jack vehicle if there is a risk of spillage of fuel, battery acid, or other dangerous substances.
- * **DO NOT** work under the vehicle until axle stands have been correctly positioned.
- * **DO NOT** use the jack for purposes other than that for which it is intended.
- * **DO NOT** top up hydraulic system with brake fluid. Use hydraulic jack oil only.
- * **DO NOT** adjust the safety overload valve.
- ✓ When not in use store jack, fully lowered, in a safe, dry, childproof area.

AXLE STANDS

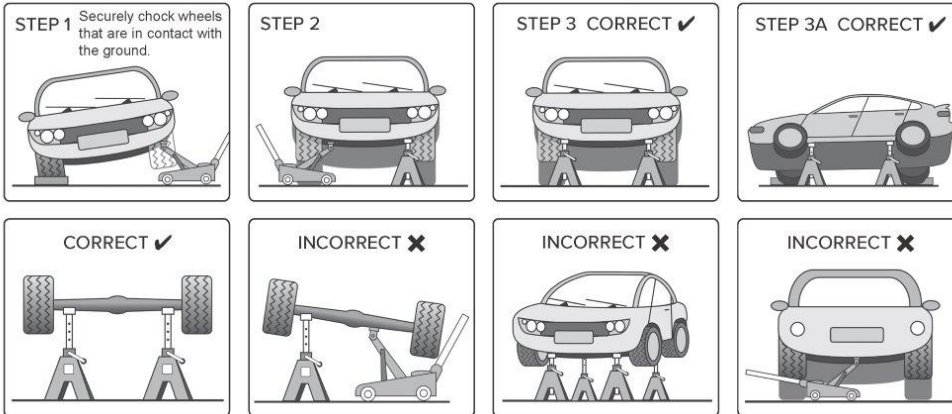
- **WARNING!**
DO NOT OVERLOAD AXLE STANDS BEYOND RATED CAPACITY. OVERLOADING CAN CAUSE DAMAGE TO, OR FAILURE OF, THE AXLE STANDS. POSITION LOAD ON CENTRE OF CRUTCH/SADDLE ONLY. ALWAYS USE STANDS IN PAIRS ON HARD LEVEL SURFACE CAPABLE OF SUSTAINING THE LOAD. USE OF STANDS ON OTHER THAN HARD LEVEL SURFACES CAN RESULT IN LOAD INSTABILITY AND POSSIBLE LOSS OF LOAD. DO NOT USE ON TARMACADAM. FAILURE TO FOLLOW THESE INSTRUCTIONS MAY RESULT IN DAMAGE TO AXLE STANDS, LOSS OF LOAD RESULTING IN PROPERTY DAMAGE, SERIOUS PERSONAL INJURY OR LOSS OF LIFE.

- ▲ **DANGER! GREAT CARE MUST BE TAKEN TO ENSURE YOU LOWER THE VEHICLE (OR OTHER LOAD) SLOWLY AND CAREFULLY ONTO THE CENTRES OF THE CRUTCH/SADDLE OF THE AXLE STANDS.**

- ✓ Use only as specified by the manufacturer.
- ✓ Ensure the load does not exceed the maximum capacity as marked on the axle stand, per pair.
- ✓ Use no more than a single pair of stands either on the front, rear or one side of the vehicle. Use in pairs.
- ✓ No alterations or modifications shall be made to this product.
- ✓ Use on a hard, level surface, e.g. concrete. **DO NOT** use on uneven ground or tarmacadam.
- ✓ Securely chock wheels in contact with the ground. Before jacking and placing the stands, apply vehicle handbrake (put automatics in 'Park').
- ✓ Make sure that each stand is securely located under a strong point on the vehicle; consult the vehicle manufacturer's handbook for guidance. Ensure that height adjust locking mechanism is fully located before applying any load to the axle stand.
- ✓ Ensure that the load is located centrally on the saddle, and that the weight is directed through the vertical axis of the stand.
- ✓ Exercise extra care when using with a three wheeled vehicle or a trailer. Refer to vehicle manufacturer's instructions.



- ✓ Once vehicle is supported, ensure that the vehicle and stands are stable before starting work. Ensure that it is not possible for the vehicle to move before commencing any work.
- ✓ Inspect stands before each use. **DO NOT** use if they show signs of damage. **DO NOT** use if it is suspected that they have been overloaded.
- ✓ Before commencing any work or going beneath the vehicle, undertake a risk assessment. Ensure that a responsible person is aware of the work about to be undertaken.
- ✓ Replace any labels on the axle stand should they become unreadable. This applies in particular to any warning or operation instruction labels. If replacement labels are required, contact your Sealey stockist.
- ✗ **DO NOT** use axle stands on the highway, or anywhere else if it is deemed to be unsafe.
- ✗ **DO NOT** push or twist the vehicle/load whilst it is supported on stands.
- ✗ **DO NOT** mix components between stands. Use only as supplied.
- ✗ **DO NOT** allow children or animals in the vicinity of a vehicle supported on axle stands.
- ✗ **DO NOT** leave a vehicle on axle stands in an area that could be considered a hazard to others or property.
- ✓ **FOLLOW STEPS 1, 2, AND 3 TO CORRECTLY PLACE VEHICLE / LOAD ONTO AXLE STANDS.**



2. INTRODUCTION

Comprises essential equipment required to safely jack up a vehicle. Includes a 2tonne trolley jack, a pair of folding wheel chocks, a pair of axle stands (2tonne combined), 6 wheel padded creeper for comfort whilst carrying out maintenance and an extending L-bar wrench with 17mm & 19mm socket.

3. SPECIFICATION

Model no: JKIT01
Jack:
Capacity: 2 tonnes (2,000 kg)
Minimum saddle height: 140mm
Maximum saddle height: 340mm
Maximum chassis height: 123mm
Length: 450mm
Weight: 8.7kg
Axle stands:
Capacity each: 1 tonne (1,000 kg)
Capacity pair: 2 tonnes (2,000 kg)
Minimum height: 291mm
Maximum height: 391mm
Creeper:
Frame: steel
Size L x W x D: 901 x 425 x 120mm
Wheels: 6

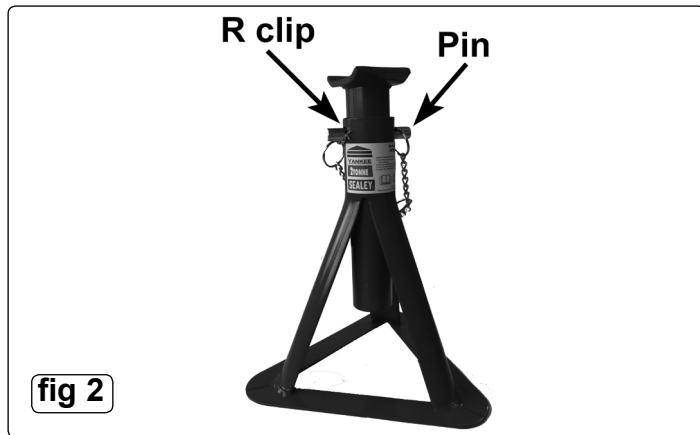
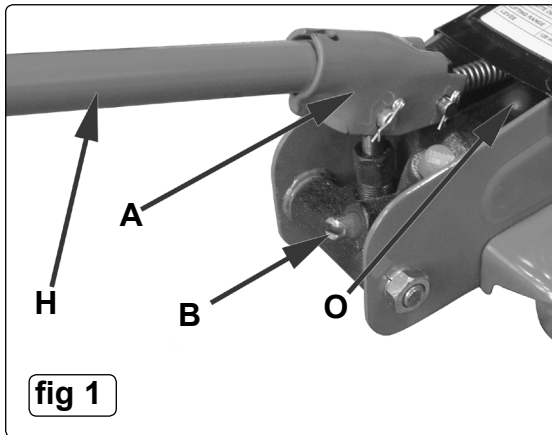


4. BEFORE FIRST USE

TROLLEY JACK

Before using jack, purge hydraulic unit in order to eliminate any air in the system. Locate the handle (fig.1H) onto the release valve nut (fig.1B) and open valve by turning the handle anti-clockwise, place handle back into the jacking point (fig.1A) and pump for 30 to 40 seconds. When complete, close the release valve by turning the valve nut (fig.1B) clockwise.

Place a few drops of hydraulic jack oil on pump piston. Thoroughly lubricate moving parts.



AXLE STANDS See fig.2

Familiarise yourself with the product. Check that the stands are in good order and condition. Insert the centre column in the centre tube, adjust to height required and insert the locking pin and secure with R pin. When lowering the centre column, hold the centre column firmly before removing the pin. Failure to do so will allow the centre column to free fall through the centre tube which may be dangerous.

5. OPERATION

5.1. TROLLEY JACK

5.1.1. General.

- ❑ **WARNING! Before lifting ensure Section 1 safety instructions are read and understood.**

- 5.1.1.1. Prepare the vehicle as mentioned in the safety instructions ensuring the ground on which the jack is to stand is level and solid (not tarmacadam).
- 5.1.1.2. Position the jack saddle under the vehicle manufacturer's recommended lifting point.
- 5.1.2. **Jacking the vehicle.**
- 5.1.2.1. Turn the handle clockwise to close the release valve (fig.1B) place handle in jacking point (fig.1A) and commence pumping handle up and down, using maximum strokes, until the jack saddle reaches the vehicle jacking point. Check the jacking point is centrally located on the saddle and raise the vehicle.
- 5.1.2.2. Should the jack become overloaded, a safety excess pressure valve will open, and stop the vehicle from lifting.
- ❑ **WARNING! The jack is a lifting device only and must not be used to support the load. Use correctly rated axle stands to support the load.**
- 5.1.2.3. When lifting a load of maximum capacity (2 tonnes) or close to it, it is recommended that the effort be reduced by the use of assistance during this operation.

5.1.3. Lowering the vehicle

- 5.1.3.1. If using axle stands, raise the jack high enough for the stands to be easily removed. Then place handle on release valve nut (fig.1B) and turn anti-clockwise, very slowly, to open the valve.
- 5.1.3.2. The lowering speed is controlled by the amount you turn the handle. Lower carefully, avoid any sudden changes in descent rate which would shock load the hydraulic system.
- ❑ **WARNING! Ensure there are no persons or obstacles beneath the vehicle, or in the path of its descent.**

5.2. AXLE STANDS

- 5.2.1. Ensure the maximum load does not exceed 2 tonnes per pair of axle stands (1 tonne for each stand).
- 5.2.2. Refer to vehicle owner's handbook for correct jacking procedure. Check to ensure that manufacturer's recommended jacking points are in good condition.
- 5.2.3. Ensure the vehicle parking brake is on and wheels are chocked.
- 5.2.4. Adjust height of stand to correspond with the raised vehicle.
- 5.2.5. Check that the locking pin is correctly pushed all the way through the centre column and out of the other side, with the R clip inserted. Position stands under vehicle at points specified by vehicle manufacturer.
- 5.2.6. Carefully and slowly lower the load onto stands. Ensure the jacking points sit in the centre of the stand saddles and check that the stands are stable and not leaning. Also ensure that there are no objects or persons that could impede the safe lowering of the vehicle onto the stands.
- 5.2.7. After use, hold the centre column (fig.2) firmly when removing the locking pin (fig.2). Failure to do so will allow the centre column to fall freely through the main centre tube which could be dangerous.
- ❑ **WARNING! Ensure you follow all instructions carefully. DO NOT load stands off centre. Failure to heed this warning may cause damage, serious injury or loss of life!**

5.3. WHEEL CHOCKS

- 5.3.1. Ensure the vehicle handbrake is engaged, engine is switched off and transmission is in gear (or "PARK" if automatic).
- 5.3.2. Always use chocks in pairs, one pair per tyre.
- 5.3.3. Unfold the chock and pull up the support bar until it stops. Lock the support bar into its groove.
- 5.3.4. Place one chock in front and one behind the tyre, centred on the tread of the tyre.
- ❑ **WARNING! Chocks are designed to be used on hard, level surfaces, capable of sustaining the load.**

5.4. CREEPER

5.4.1. Push the two halves of the creeper together and secure with the pins, one each side.

6. MAINTENANCE

6.1. TROLLEY JACK

- 6.1.1. When the jack is not in use, the ram should be in its lowest position to minimise corrosion. Remove the handle to inactivate jack.
- 6.1.2. Keep the jack clean and lubricate all moving parts with acid free oil on a regular basis.
- 6.1.3. Before each use check for broken, cracked, bent, or loose parts, or any visible damage to ram, pump, saddle, lifting arm, frame and all parts including nuts, bolts, pins and other fasteners. If any suspect item is found remove jack from service and take necessary action to remedy the problem.
- 6.1.4. **DO NOT** use the jack if believed to have been subjected to abnormal load or shock load.
- 6.1.5. Periodically check the pump piston and the ram for signs of corrosion. Clean exposed areas with a clean oiled cloth.
- 6.1.6. After one year the oil should be replaced in order to extend the life of the jack. Use hydraulic jack oil only.
- 6.1.7. **IMPORTANT:** Only fully qualified personnel should attempt hydraulic maintenance or repair.
- 6.1.8. To check the oil level, fully lower the jack. Remove filler screw (fig.1.O). The correct level is the bottom of the screw hole. If oil level is low, fill as required.
NOTE: Use a good quality jack oil, such as SEALEY HYDRAULIC JACK OIL.
- WARNING: DO NOT** use brake fluid, or any fluid other than hydraulic jack oil as this may cause serious damage to the jack and will invalidate the warranty!
- 6.1.9. To drain the oil, remove the filler plug and raise front of jack. Make sure that no dirt is allowed to enter the hydraulic system.
IMPORTANT: NO RESPONSIBILITY IS ACCEPTED FOR INCORRECT USE OF THIS PRODUCT.
- 6.1.10. Owing to their size and weight, hydraulic products should ideally be repaired by local service agents. We have service/repair agents in most parts of the UK. Before returning your product please telephone our technical help line on 01284 7575505 for advice and trouble shooting guidance.
- 6.1.11. **De-commissioning the Jack** - Should the jack become completely unserviceable and require disposal, draw off the oil into an approved container and dispose of the jack and the oil according to local regulations.

6.2. AXLE STANDS

- 6.2.1. Before each use check to ensure stands and stand welds are not cracked, and that there are no missing and/or damaged parts.
 WARNING! Any stand that appears to be damaged in any way *must be removed from service immediately.*
- 6.2.2. Ensure the locking pin and R clip are in good order and condition.
- 6.2.3. Due to the potential hazards associated with these stands, do not misuse, or make any modification to the stands or components.

7. TROUBLESHOOTING

IMPORTANT: MAINTENANCE OR REPAIR OF THE HYDRAULIC SYSTEM MUST ONLY BE PERFORMED BY A QUALIFIED PERSON.

Problem	Possible Cause	Remedy
Jack will not lift the load	1) Overloaded. 2) Oil level low. 3) Release valve not correctly closed. 4) Air in system. 5) Piston rod not functioning. 6) Packing worn or defective.	1) Use a jack with adequate capacity. 2) Top up oil. 3) Check and close release valve. 4) Open release valve and pump the handle a few times. 5) Clean and replace oil. 6) Replace packing.
Jack does not lift high enough or feels 'spongy'.	1) Oil level too high or too low 2) Worn seals 3) Air in system 4) Release valve not closed	1) Fill or remove excess oil 2) Return jack to local service agent 3) Open release valve and pump the handle a few times. Close valve and re-try 4) Check and close release valve
Jack lifts poorly.	1) Pump packing or valves malfunctioning 2) Oil is dirty 3) Air in the system	1) Replace packing and/or clean valves 2) Replace oil 3) Open release valve and pump the handle a few times. Close valve and re-try
Jack lifts but will not hold the load.	1) Release valve partially open 2) Dirt on valve seats 3) Air in system 4) Faulty seals	1) Check and close release valve 2) Lower jack, close release valve. Place foot on front wheel and pull up lifting arm to its full height by hand. Open the release valve to lower arm 3) Open release valve and pump the handle a few times. Close valve and re-try 4) Replace packing or contact local service agent
Jack will not lower completely	1) Unit requires lubrication 2) Piston rod bent or damaged 3) Jack frame/link system distorted due to overloading/poor positioning 4) Air in system 5) Release valve partially closed 6) Jack spring damaged or unhooked	1) Oil all external moving parts 2) Replace rod or contact local service agent 3) Replace damaged parts or contact local service agent 4) Open release valve and pump the handle a few times. Close valve and re-try 5) Check and fully open release valve 6) Replace spring or contact local service agent
Jack does not lower at all.	1) Release valve closed.	1) Check and fully open release valve.

Parts support is available for this product. To obtain a parts listing and/or diagram, please log on to www.sealey.co.uk, email sales@sealey.co.uk or telephone 01284 757500.



Environmental Protection
Recycle unwanted materials instead of disposing of them as waste. All tools, accessories and packaging should be sorted, taken to a recycling centre and disposed of in a manner which is compatible with the environment. When the product becomes completely unserviceable and requires disposal, drain off any fluids (if applicable) into approved containers and dispose of the product and the fluids according to local regulations.

NOTE: It is our policy to continually improve products and as such we reserve the right to alter data, specifications and component parts without prior notice.

IMPORTANT: No liability is accepted for incorrect use of this product.

WARRANTY: Guarantee is 12 months from purchase date, proof of which will be required for any claim.



Sole UK Distributor, Sealey Group.
Kempson Way, Suffolk Business Park,
Bury St. Edmunds, Suffolk.
IP32 7AR



01284 757500



01284 703534



www.sealey.co.uk



sales@sealey.co.uk