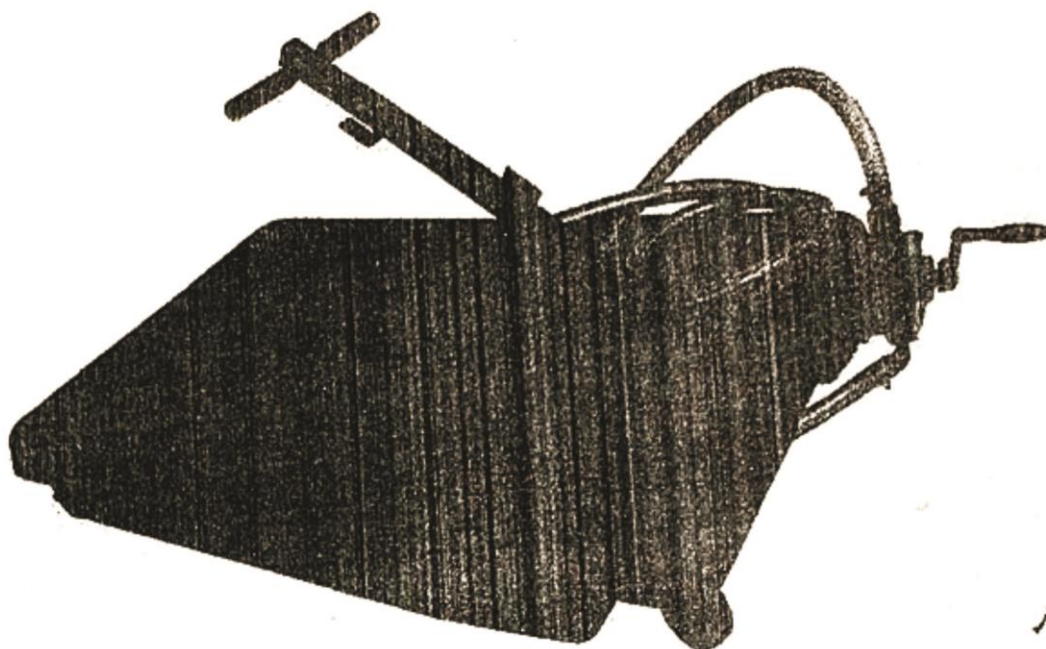


17-GALLON LOW-PROFILE OIL DRAIN WITH PUMP OWNER'S MANUAL



 **WARNING:**

Read carefully and understand all **ASSEMBLY AND OPERATION INSTRUCTIONS** before operating. Failure to follow the safety rules and other basic safety precautions may result in serious personal injury.


Save the receipt, warranty and these instructions. It is important that you read the entire manual to become familiar with this product before you begin using it.


This machine is designed for certain applications only. The distributor cannot be responsible for issues arising from modification. We strongly recommend this machine not be modified and/or used for any application other than that for which it was designed. If you have any questions relative to a particular application, DO NOT use the machine until you have first contacted the distributor to determine if it can or should be performed on the product.


TECHNICAL SPECIFICATIONS

17-gallon capacity
Made from high-impact polypropylene (lightweight)
Perfect for low-profile applications
Equipped with manual pump for draining oil fast
4in. heavy-duty casters for easy maneuverability
Includes "T" Handle and 8ft. evacuation hose

GENERAL SAFETY RULES

 **WARNING:** Read and understand all instructions. Failure to follow all instructions listed below may result in serious injury.

 **CAUTION:** Do not allow persons to operate or assemble this low-profile oil drain until they have read this manual and have developed a thorough understanding of how the low-profile oil drain works.

 **WARNING:** The warnings, cautions, and instructions discussed in this instruction manual cannot cover all possible conditions or situations that could occur. It must be understood by the operator that common sense and caution are factors which cannot be built into this product, but must be supplied by the operator.

SAVE THESE INSTRUCTIONS

WORK AREA

- **Keep work area clean**, free of clutter and well lit. Cluttered and dark work areas can cause accidents.
- **Keep children and bystanders** away while operating the low-profile oil drain. Distractions can cause you to lose control, so visitors should remain at a safe distance from the work area.
- **Be aware of all power lines, electrical circuits**, water pipes and other mechanical hazards in your work area, particularly those hazards below the work surface hidden from the operator's view that may be unintentionally contacted and may cause personal harm or property damage.
- **Be alert of your surroundings**. Using the low-profile oil drain in confined work areas may put you dangerously close to cutting tools and rotating parts.

PERSONAL SAFETY

- **Stay alert**, watch what you are doing and use common sense when using the low-profile oil drain. Do not use the low-profile oil drain while you are tired or under the influence of drugs, alcohol or medication. A moment of inattention while operating the low-profile oil drain may result in serious personal injury.
- **Dress properly**. Do not wear loose clothing, dangling objects, or jewelry. Keep your hair, clothing and gloves away from moving parts. Loose clothes, jewelry or long hair can be caught in moving parts.
- **Use safety apparel and equipment**. Use safety goggles or safety glasses with side shields which comply with current national standards, or when needed, a face shield. Use a dust mask in dusty work conditions. This applies to all persons in the work area. Also use non-skid safety shoes, hardhat, gloves, dust collection systems, and hearing protection when appropriate.
 - Make sure the Oil Drain is used only on a dry, oil/grease free, flat, level, ground surface capable of supporting the weight of the unit and contents.
 - Do not work under the vehicle without proper support devices.
 - Prior to using the Oil Drain, make sure to read and understand all warnings, safety precautions, and instructions as outlined in the vehicle manufacturers and the support device's instruction manuals.
 - Do not allow anyone in the vehicle while using the Oil Drain. Keep all bystanders a safe distance away from the vehicle.
 - Avoid burns. Allow the engine oil to completely cool before draining the oil into the Oil Drain.
 - Do not leave the Oil Drain unattended when operating or draining the oil.



- Never use the Oil Drain near open flames or heat sources.

- Make sure to remove the Oil Drain and all other tools and equipment before lowering the vehicle to the floor surface.



- Follow guidelines for engine oil disposal. Used engine oil should be removed from the vehicle and properly disposed of or recycled. Many states require recycling. Contact your local solid/liquid waste authority for

information on recycling and/or disposal.

- Oil contains hazardous chemicals which may be harmful to the environment and hazardous to your health.

LOW-PROFILE OIL DRAIN USE AND CARE

- **Do not modify the low-profile oil drain in any way.** Unauthorized modification may impair the function and/or safety and could affect the life of the equipment. There are specific applications for which the low-profile oil drain was designed.
- **Always check of damaged or worn out parts before using the low-profile oil drain.** Broken parts will affect the low-profile oil drains operation. Replace or repair damaged or worn parts immediately.
- **Do not exceed the low-profile oil drain load capacity.**
- **Distribute the load evenly.** Uneven loads may cause the low-profile oil drain to tip, resulting in personal injury to the operator or others.
- **Use the low-profile oil drain on flat and level surfaces** capable of supporting the low-profile oil drain and its maximum load. Pulling or pushing a load on a slanted or uneven surface can result in loss of control.
- **Store idle low-profile oil drain.** When low-profile oil drain is not in use, store it in a secure place out of the reach of children. Inspect it for good working condition prior to storage and before re-use.

ASSEMBLY

To mount the Handle # 4 and Pump # 11, you will need to partially disassemble the Rear Mounting plate # 16.

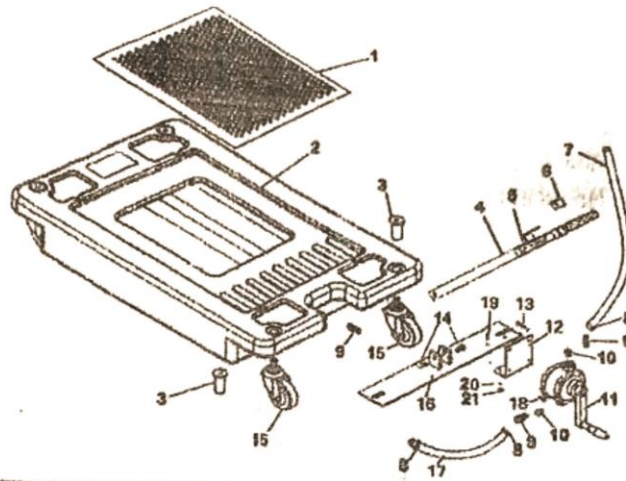
- 1) Remove Right Caster Bolt # 3 from Caster # 15 and slide out the Mounting Plate # 16.
- 2) Attach Handle # 4 to Mounting Plate # 16 using Screw # 14.
- 3) Attach Pump Mounting Bracket # 12 to Mounting Plate # 16 with provided nuts and bolts.
- 4) Re-attach Mounting Plate # 16 and Right Caster.
- 5) Attach Pump #11 to Mounting Bracket # 12 with provided bolts.
- 6) Attach Short Hose # 17 to Hose Fittings # 9 on bottom of Pump #11 and bottom of Reservoir # 2 with Hose Clamps # 8.
- 7) Attach Long Hose # 7 to Hose Fitting #9 on top of Pump # 11 with Hose Fitting # 9.

OPERATION

 **WARNING:** Follow all safety precautions outlined in this manual and the vehicle manual.

- Move the Oil Drain under the vehicle, making sure the Opening of Reservoir is positioned directly below the oil drain plug of the engine.
- Remove the oil drain plug of the engine, and allow the old oil to completely drain from the

DIAGRAM & PARTS LIST



PARTS LIST

Item No.	Description	No. Req'd	Item No.	Description	No. Req'd
1	Filter Screen	1	12	Mounting Bracket	1
2	Reservoir	1	13	Bolt	4
3	Locknut	4	14	Screw	2
4	Handle	1	15	Caster	4
5	Flex Grp	2	16	Mounting Plate	1
6	Plug	1	17	Short Hose	1
7	Long Hose	1	18	Bolt	4
8	Hose Clamp	3	19	Bolt	2
9	Hose Fitting	3	20	Washer	2
10	Connector	2	21	Nut	2
11	Hand Pump	1			

NOTE: Some parts are listed and shown for illustration purposes only, and are not available individually as replacement parts.