

# SEALEY

## 6000W HIGH EFFICIENCY INFRARED SHORT WAVE WALL MOUNTING HEATER

MODEL NO: **IWMH6000R**

Thank you for purchasing a Sealey product. Manufactured to a high standard, this product will, if used according to these instructions, and properly maintained, give you years of trouble free performance.

**IMPORTANT:** PLEASE READ THESE INSTRUCTIONS CAREFULLY. NOTE THE SAFE OPERATIONAL REQUIREMENTS, WARNINGS & CAUTIONS. USE THE PRODUCT CORRECTLY AND WITH CARE FOR THE PURPOSE FOR WHICH IT IS INTENDED. FAILURE TO DO SO MAY CAUSE DAMAGE AND/OR PERSONAL INJURY AND WILL INVALIDATE THE WARRANTY. KEEP THESE INSTRUCTIONS SAFE FOR FUTURE USE.



Refer to instruction manual



Electric shock hazard



Warning: Hot surface



**DO NOT** cover

### 1. SAFETY

#### 1.1. ELECTRICAL SAFETY

- WARNING!** This product is supplied without a mains cable. It must be installed by a qualified electrician.
- WARNING!** It is the responsibility of the owner and the operator to read, understand and comply with the following: You must check all electrical products before use to ensure that they are safe. You must inspect power cables, plugs, sockets and any other connectors for wear or damage. You must ensure that the risk of electric shock is minimised by the installation of appropriate safety devices. A Residual Current Circuit Breaker (RCCB) should be incorporated in the main distribution board. We also recommend that a Residual Current Device (RCD) is used. It is particularly important to use an RCD with portable products that are plugged into a supply which is not protected by an RCCB. If in any doubt consult a qualified electrician. You must also read and understand the following instructions concerning electrical safety:
  - 1.1.1. **The Health & Safety at Work Act 1974** makes owners of electrical appliances responsible for the safe condition of those appliances and the safety of the appliance operators. **If in any doubt about electrical safety, contact a qualified electrician.**
  - 1.1.2. Ensure that the insulation on all cables and on the appliance is safe before connecting it to the power supply.
  - 1.1.3. Ensure that cables are always protected against short circuit and overload.
  - 1.1.4. Regularly inspect power supply cables and plugs for wear or damage and check all connections to ensure that none are loose.
  - 1.1.5. **Important:** Ensure that the voltage marked on the appliance matches the power supply to be used and that the plug is fitted with the correct fuse.
- ▲ **DANGER!** If the power cable for this equipment is damaged, it must be replaced by a qualified electrician to avoid danger.
- \* **DO NOT** pull or carry the appliance by the power cable.
- \* **DO NOT** pull the plug from the socket by the cable.
- \* **DO NOT** use worn or damaged cables, plugs or connectors. Immediately have any faulty item repaired or replaced by a qualified electrician.

#### 1.2. FIXED APPLIANCE

- ✓ The means of disconnection must be incorporated in the fixed wiring in accordance with the wiring rules.

#### 1.3. FIXED WIRING

- ✓ The rated residual operating current does not exceed 30mA.

#### 1.4. GENERAL SAFETY

- ✓ Please read this manual before operating this appliance.

#### 1.5. VISIBLY GLOWING RADIANT HEATERS

- \* **DO NOT** use this heater with a programmer, timer, separate remote-control system or any other device that switches the heater on automatically, since a fire risk exists if the heater is covered or positioned incorrectly.
- WARNING!** If the directions in this manual are not followed, an electric shock or fire may result causing property damage, personal injury or loss of life.
- WARNING!** The heater must be installed at least 1.8m above the floor.
- \* **DO NOT** store or use gasoline or other flammable vapours and liquids in the vicinity of this or any other heating appliance.
- ✓ Any required service other than filter maintenance should only be performed by an authorised service representative. Any other repairs attempted by anyone other than an authorised service representative will void the warranty.
- ✓ Use this heater only as described in this manual. Any other use is not recommended by the manufacturer and may cause fire, electric shock, or injury to persons.
- WARNING!** This heater is hot when in use. To avoid burns, **DO NOT** let bare skin touch hot surfaces. Keep combustible materials, such as furniture, pillows, bedding, papers, clothes, and curtains at least 3 feet (0.9m) from the front of the heater and keep them away from the sides and rear (Sides and rear restrictions apply to location dedicated heaters only).
- WARNING!** Extreme CAUTION is necessary when any heater is used by or near children or vulnerable and whenever the heater is left operating and unattended.
- \* **DO NOT** operate any heater if it has malfunctioned. Disconnect power at service panel. Have heater inspected by a reputable electrician before reusing.
- ✓ To disconnect heater, turn controls to OFF at the heater. Turn the power OFF at the circuit distribution panel before disconnecting the heater.
- ✓ To prevent a possible fire **DO NOT** block heating elements.
- WARNING!** Ensure the heater is at least 1m from any object, 600mm from the ceiling and 1.8m above the floor.
- ✓ Familiarise yourself with the applications and limitations of the heater.

- ✓ Children from age 8 years and above, persons with reduced physical, sensory, or mental capabilities those with lack of experience and knowledge can use the appliance, if they have been given supervision or instruction concerning use of the appliance in a safe way to understand the hazards involved.
- ✓ Children shall **NOT** play with the appliance.
- ✓ Children aged from 3 years and less than 8 years shall only switch on/off the appliance provided that it has been placed or installed in its intended normal operating position and they have been given supervision or instruction concerning use of the appliance in a safe way and understand the hazards involved. Children aged 3 years and less than 8 years shall not plug in, regulate, and clean the appliance or perform user maintenance.
- ✓ Children of less than 3 years should be kept away unless continuously supervised.
- ✓ Cleaning and user maintenance on the appliance shall not be made by children without supervision.
- ✓ Ensure the heater is in good order and condition before use. If in any doubt do not use the unit and contact your Sealey stockist.
- ✓ **CAUTION:** Some parts of this product can become very hot and cause burns. Particular attention has to be given where children and vulnerable people are present.
- ✓ Only use recommended attachments and parts. Using unauthorised parts may be dangerous and will invalidate your warranty.
- ✓ The appliance shall be disconnected from its power source during service and when replacing parts and, if that the removal of the plug is foreseen, it shall be clearly indicated that the removal of the plug has to be such that an operator can check from any of the points to which the operator has access that the plug remains removed.
- ✓ Check that element guards are in place, undamaged and firmly attached.
- ✓ Keep tools and other items away from the heater when it is in use.
- ✓ Keep the work area clean and clear of unnecessary items.
- ✓ Keep children and unauthorised persons away from the heater, as it gets very hot.
- **WARNING!** Disconnect from mains and allow to cool before moving or attempting any cleaning or maintenance.
- × **DO NOT** get the heater wet or use in damp or wet locations or areas where there is condensation.
- × **DO NOT** locate the heater below a socket outlet.
- × **DO NOT** locate the heater in an area where there are flammable gases, dust etc.
- × **DO NOT** dismantle the heater for any reason. The heater must be checked by qualified personnel only.
- × **DO NOT** use the heater to perform a task for which it has not been designed.
- × **DO NOT** insert or allow foreign objects to enter any ventilation or exhaust opening as this may cause an electric shock or fire, or damage the heater.
- **WARNING!** If a fuse blows, ensure it is replaced with an identical fuse type and rating.
- ✓ When not in use, store the heater carefully in a safe, dry, childproof location.
- **WARNING!** Never touch the element glass directly with fingers. Use a soft cloth, otherwise the tube may get damaged.
- **WARNING!** Two dark points may exist on the surface of the heating element, or the surface of the heating element may turn white during the first few minutes of operation. This is normal and will not affect the performance of the heater.
- **WARNING! DO NOT** store or use Gasoline or other flammable vapours and liquids in the vicinity of this or any other heater appliance.
- **WARNING!** Heater has hot and arcing or sparking parts inside. **DO NOT** use it in areas where gasoline, paint, or flammable vapours or liquids are used or stored.
- **WARNING!** Any required service other than filter maintenance should only be performed by an Authorised Sealey Service Centre.
- **WARNING!** The warnings, cautions and instructions in this manual cannot cover all possible conditions and situations that may occur. It must be understood by the operator that common sense and caution are factors which cannot be built into this product, but must be applied by the operator.
- **WARNING!** This heater includes a visual indicator to warn that parts of the heater are getting excessively hot. If the indicator illuminates, immediately turn the heater off and inspect for any objects on or adjacent to the heater that may have blocked the airflow or other wise caused high temperatures to have occurred. **DO NOT OPERATE THE HEATER WHILE THE INDICATOR IS ILLUMINATED.**
- ✓ Use this heater only as described in this manual. Any other use not recommended by the manufacturer may cause fire, electric shock, or injury to persons.

## 2. INTRODUCTION

Heavy duty wall mounted heater ideal for workshops, garages, warehouses, cattle sheds and other large working spaces. A totally dry heat, no condensation, no gas, no fumes and no smell. Three carbon fibre tubes allow heater's maximum temperature to be reached quickly. Highly polished aluminium reflector for maximum heat efficiency and PIR sensor included making it economical to run. Three heat settings available: 2000, 4000 and 6000W with a heating area of 50m<sup>2</sup>. Remote (batteries not included) or manual control. Over-heat protection, stainless-steel protective guard and two setting timer function. Mounting bracket and fixings included.

## 3. SPECIFICATION

<b>Model No:</b>	<b>IWMH6000R</b>
Minimum Mounting Height:	1800mm
Mounting Bracket Stand-Off:	600mm
Nett Weight:	7kg
Overall Dimensions (W x D x H):	110 x 200 x 1430mm
Plug Type:	Bare Wire
Power:	2000/4000/6000W
Supply:	230V

## 4. INSTALLATION

### 4.1. WALL MOUNTING

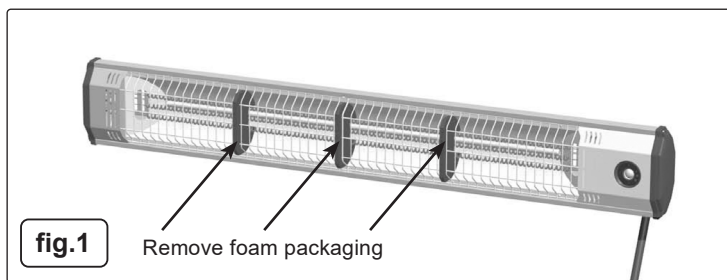
**The heater must be properly installed by a qualified electrician before it is used.**

**CAUTION: Your heater must be installed on a wall, ensure there are no hidden water pipes or electric wires before mounting.**

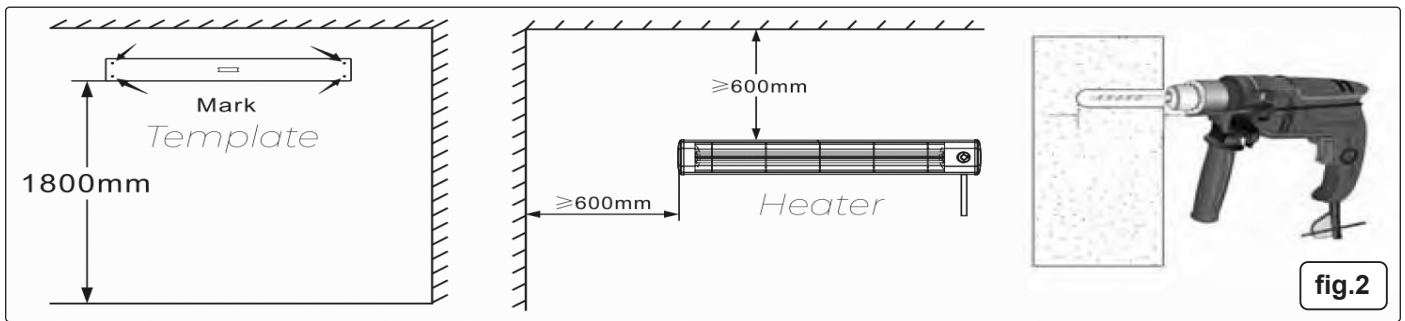
- × **DO NOT** prop the heater up against objects or use the heater with the grill placed vertically.

**IMPORTANT!** The heater should always have a minimum clearance of 600mm from a ceiling and at least 1m from any object.

- 4.1.1. Remove foam shipping cushions see fig.1 otherwise, it will cause a safety hazard.



- 4.1.2. Ensure that the mounting surface is capable of supporting the weight of the heater.
- 4.1.3. Before attaching the heater, use the template enclosed to mark the holes required on the surface of the wall. See fig.2. **Note:** Always check before drilling holes in walls for cables and pipes that may be in the cavity.



- 4.1.4. Heater must be installed horizontally. See information label on the brackets.
- 4.1.5. Drill the correct size holes in wall. Apply suitable wall fixings to fit the wall type and that they are capable of supporting the weight of the heater.
- 4.1.6. Attach supplied brackets (See fig.3) to the rear of the heater, then attach heater securely to the wall using the hardware included with this product. (See fig.3). Adjust bracket angle to direct heat beam where required, tighten nuts to secure position.



## 4.2. CONNECTING THE HEATER

4.2.1. **ELECTRICAL SAFETY INFORMATION:** It is important that the following information is read and understood.

**Sealey recommend that installation and repairs are carried out by a qualified electrician.**

**IMPORTANT:** The appliance must **NOT** be connected to the mains supply by means of a 13A plug and socket. Ensure that the voltage rating on the appliance suits the power supply to be used.

- ❑ **WARNING!** It is the user's responsibility to check the following:
  - ✓ Check all electrical equipment and appliances to ensure that they are safe before using.
  - ✓ Inspect power supply leads, plugs and all electrical connections for wear and damage. If the product is used in the course of business duties, it must be maintained in a safe condition and routinely PAT (Portable Appliance Test) tested.
  - ✓ Ensure that the insulation on all cables and on the appliance is safe before connecting it to the power supply.
  - ✓ Regularly inspect power supply cables and plugs for wear or damage and check all connections to ensure that they are secure.
  - ✓ See fig.4 for wiring diagram.

Wiring diagram

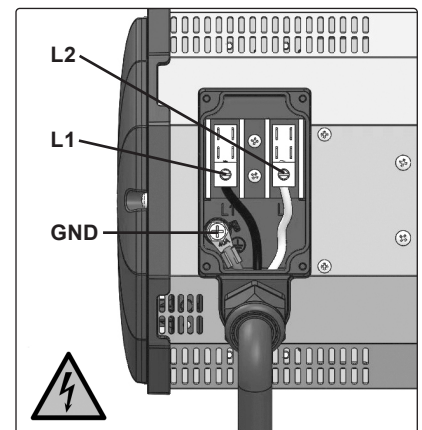


fig.4

## 5. OPERATION & CONTROLS

- ❑ **WARNING!** Ensure you read, understand and apply the safety instructions in Section 1 before using the heater.

- 5.1. When the heater is no longer required, switch off electrical supply.
- 5.1.1. Allow heater to cool down after use before attempting any maintenance or relocation.

- ❑ **WARNING! DO NOT** touch the heater when in use as it becomes extremely hot.

### 5.2. CONTROL PANEL ON HEATER

- 5.2.1. On the front of the heater is the control panel ON/OFF switch. See fig.5. Use button to turn the heater ON or OFF. Hold the button down for the timer function, this function includes a delay-off feature with two settings, by holding the button down operates the delay function. See table on the following page.

#### REMOTE CONTROL

- 5.2.2. The heater is supplied with a remote control hand set (Batteries are not included). See fig.6 for functions and settings on the following page.

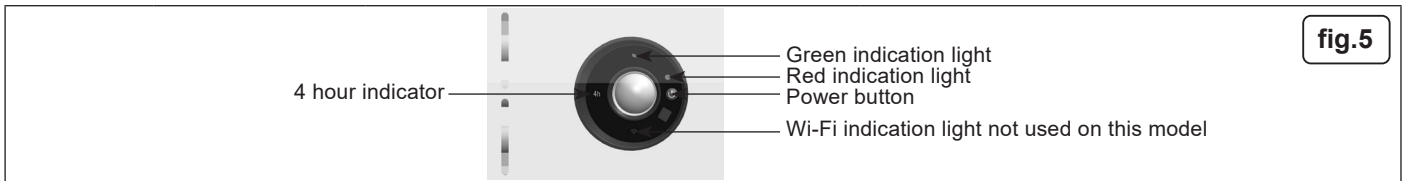



fig.5

BUTTON	OPERATION	FUNCTION	FUNCTION STATUS
	Single touch.	Turn ON/OFF the heater.	Single bleep. Green or Red illuminates to indicate standby mode.
		Single touch to cycle setting power from 1-2-3-Standby.	On Status.
		Turn to Standby.	Overheat protection.
	Hold for 3 seconds.	Hold for 3 seconds to enable the timer function.	After 2 Hours the delay-off feature will be enabled.
	Hold for 5 seconds.	Hold for 5 seconds to enable the timer function.	After 4 Hours the delay-off feature will be enabled.

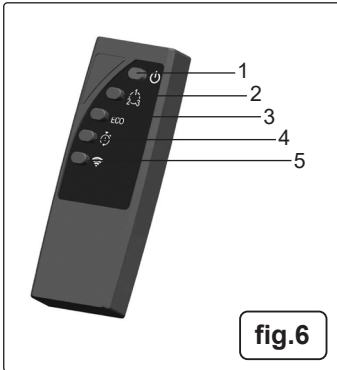


fig.6

BUTTON	OPERATION	FUNCTION	FUNCTION STATUS
1 Standby mode.	Single touch.	Turn ON/OFF the heater.	Standby/ on status.
2 Heat settings.	Single touch.	Heat settings option.	2000, 4000 and 6000W.
3 ECO settings.	Single touch.	ECO setting.	Economy mode.
4 Timer settings.	Hold for 3 or 5 seconds.	Timer.	Hold button for 3 seconds to enable the 2 hour delay-off function. Hold button for 5 seconds to enable the 4 hour delay-off function.
5 Wi-Fi.	DISABLED.	DISABLED.	DISABLED.

## 6. MAINTENANCE

- ❑ **WARNING!** Professional repair only. Make sure the heater plug is disconnected from the mains supply before any cleaning is attempted. Allow the heater to cool completely. **DO NOT** use water or other liquids, or harsh abrasive cleaners to clean the heater. **DO NOT** touch the elements with your fingers as this may damage the tube.
- 6.1. Clean the exterior with a soft damp cloth and some mild detergent only. **DO NOT** immerse in water or any other liquids.
- 6.2. Never dismantle the product. Contact your authorised Sealey stockist.
- 6.3. To replace any of the elements contact your authorised Sealey stockist.
- 6.4. When transporting always use the original packaging ensuring the heater is packaged carefully.
- 6.5. To change the remote control batteries, press down and push back the battery cover, remove old batteries and replace with two new AAA batteries.
- ✖ **DO NOT** operate any heater if it malfunctions. Disconnect power at service panel and have heater inspected by a reputable electrician or contact Sealey Service Centre before reusing.
- ❑ **WARNING! DO NOT** mix old and new batteries and dispose of old batteries in accordance with local authority regulations.



### ENVIRONMENT PROTECTION

Recycle unwanted materials instead of disposing of them as waste. All tools, accessories and packaging should be sorted, taken to a recycling centre and disposed of in a manner which is compatible with the environment. When the product becomes completely unserviceable and requires disposal, drain any fluids (if applicable) into approved containers and dispose of the product and fluids according to local regulations.



### WEEE REGULATIONS

Dispose of this product at the end of its working life in compliance with the EU Directive on Waste Electrical and Electronic Equipment (WEEE). When the product is no longer required, it must be disposed of in an environmentally protective way. Contact your local solid waste authority for recycling information.

**NOTE:** It is our policy to continually improve products and as such we reserve the right to alter data, specifications and component parts without prior notice.

**IMPORTANT:** No Liability is accepted for incorrect use of this product.

**WARRANTY:** Guarantee is 12 months from purchase date, proof of which is required for any claim.

Sealey Group, Kempson Way, Suffolk Business Park, Bury St Edmunds, Suffolk. IP32 7AR



01284 757500



sales@sealey.co.uk



www.sealey.co.uk