



2000W HIGH EFFICIENCY INFRARED SHORT WAVE WALL MOUNTING HEATER

MODEL NO: IWMH2000R.V2

Thank you for purchasing a Sealey product. Manufactured to a high standard, this product will, if used according to these instructions, and properly maintained, give you years of trouble free performance.

IMPORTANT: PLEASE READ THESE INSTRUCTIONS CAREFULLY. NOTE THE SAFE OPERATIONAL REQUIREMENTS, WARNINGS & CAUTIONS. USE THE PRODUCT CORRECTLY AND WITH CARE FOR THE PURPOSE FOR WHICH IT IS INTENDED. FAILURE TO DO SO MAY CAUSE DAMAGE AND/OR PERSONAL INJURY AND WILL INVALIDATE THE WARRANTY. KEEP THESE INSTRUCTIONS SAFE FOR FUTURE USE.



Refer to instructions



Electrical shock hazard



Hot surfaces



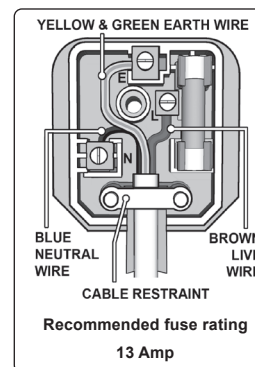
DO NOT cover

1. SAFETY

1.1. ELECTRICAL SAFETY

- WARNING!** It is the responsibility of the owner and the operator to read, understand and comply with the following: You must check all electrical products, before use, to ensure that they are safe. You must inspect power cables, plugs, sockets and any other connectors for wear or damage. You must ensure that the risk of electric shock is minimised by the installation of appropriate safety devices. A Residual Current Circuit Breaker (RCCB) should be incorporated in the main distribution board. You must also read and understand the following instructions concerning electrical safety.

- 1.1.1. Ensure that cables are always protected against short circuit and overload.
- 1.1.2. Regularly inspect power supply cables and plugs for wear or damage and check all connections to ensure that none are loose.
- 1.1.3. **IMPORTANT:** Ensure that the voltage marked on the appliance matches the power supply to be used and that the plug is fitted with the correct fuse - see fuse rating at right.
- 1.1.4. **DO NOT** use worn or damaged cables, plugs or connectors. Have any faulty item repaired or replaced immediately by a competent electrician.
- 1.1.5. It is recommended that this heater is wired directly to a fused isolator switch. If, however, a plug is fitted, the following applies:
- 1.1.6. Fit a new plug according to the following instructions (UK only).
 - a) Connect the GREEN/YELLOW earth wire to the earth terminal 'E'.
 - b) Connect the BROWN live wire to the live terminal 'L'.
 - c) Connect the BLUE neutral wire to the neutral terminal 'N'.
 - d) After wiring, check that there are no bare wires, that all wires have been correctly connected, that the cable restraint is tight.



1.2. GENERAL SAFETY

- WARNING!** Ensure the heater is at least 1m from any object, 500mm from the ceiling and 1800mm from floor level.
- WARNING!** This heater is not equipped with a device to control the room temperature. **Do not** use this heater in small rooms when they are occupied by persons not capable of leaving the room on their own, unless constant supervision is provided.
- WARNING!** If a fuse blows, ensure it is replaced with an identical fuse type and rating.
- WARNING!** Never touch the element directly with fingers. Use a soft cloth, otherwise the tube may get damaged.
- WARNING!** In order to avoid overheating, do not cover the heater.
- ✓ Familiarise yourself with the applications and limitations of the heater.
- ✓ Ensure the heater is in good condition before use. If in any doubt do not use the unit and contact your Sealey stockist.
- ✓ Only use recommended attachments and parts. Using unauthorised parts may be dangerous and will invalidate your warranty.
- ✓ Check that element guards are in place, undamaged and firmly attached.
- ✓ Keep tools and other items away from the heater when it is in use.
- ✓ Keep the work area clean and clear of unnecessary items.
- ✓ Keep children and unauthorised persons away from the heater, as it gets very hot.
- ✓ Disconnect from mains and allow to cool before moving or attempting any cleaning or maintenance.
- * **DO NOT USE WITH AN EXTENSION CABLE.**
- * **DO NOT** use this heater with timers or other devices which switch the heater on automatically.
- * **DO NOT** immerse the heater in water.
- * **DO NOT** locate the heater below the power outlet.
- * **DO NOT** move the heater whilst in operation or even when still warm.
- * **DO NOT** use the heater to perform a task for which it has not been designed.
- * **DO NOT** use this heater with a programmer, timer, separate remote-control system or any other device that switches the heater on automatically, since a fire risk exists if the heater is covered or positioned incorrectly.
- * **DO NOT** use this heater in the immediate surroundings of a bath, a shower or a swimming pool.

NOTE: Two dark points may exist on the surface of the heating element, or the surface of the heating element may turn white during the first few minutes of operation. This is normal and will not affect the performance of the heater.

CAUTION: Some parts of this product can become very hot and cause burns. Particular attention has to be given where children and vulnerable people are present.

NOTE: Children of less than 3 years should be kept away unless supervised continuously. Children aged from 3 years and less than 8 years shall only switch on/off the appliance provided that it has been placed or installed in its intended normal operating position and they have been given supervision or instruction concerning use of the appliance in a safe way and understand the hazards involved. Children aged from 3 years and less than 8 years shall not plug in, regulate and clean the appliance or perform user maintenance.

NOTE: This appliance can be used by children aged from 8 years and above and persons with reduced physical, sensory or mental capabilities or lack of experience and knowledge if they have been given supervision or instruction concerning use of the appliance in a safe way and understand the hazards involved. Children shall not play with the appliance. Cleaning and user maintenance shall not be made by children without supervision.

2. INTRODUCTION

A totally dry heat, no condensation, no gas, no fumes and no smell. Single infrared bulb allows heater's maximum temperature to be reached quickly with a HeLeN coating to reduce glare. Highly polished aluminium reflector for maximum heat efficiency. Controlled by push-on/off switch or via remote control (batteries not included). Ideal for industrial or domestic applications. Outdoor use only (IP55). Mounting brackets and fixings included.

3. SPECIFICATION

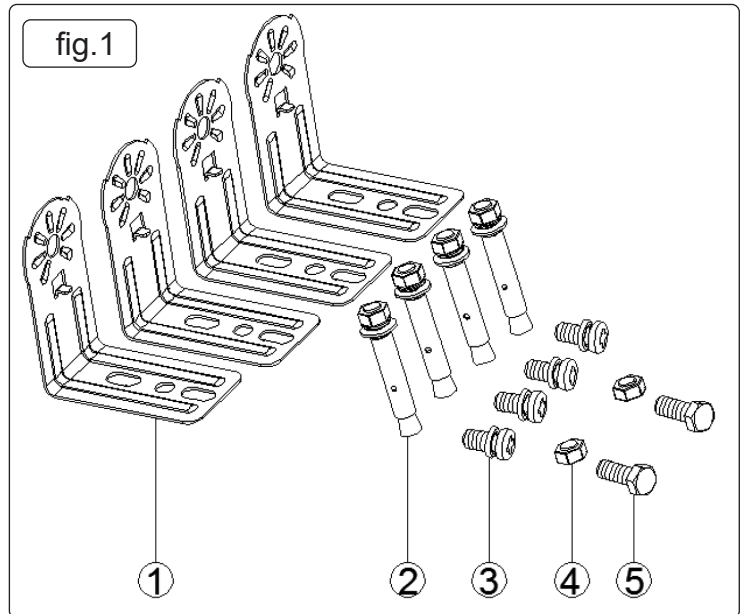
Model No:..... IWMH2000R.V2
 Supply:.....230V
 Power:.....1000/2000W
 Heater Dimensions (W x D x H):660 x 75 x 110mm

4. INSTALLATION

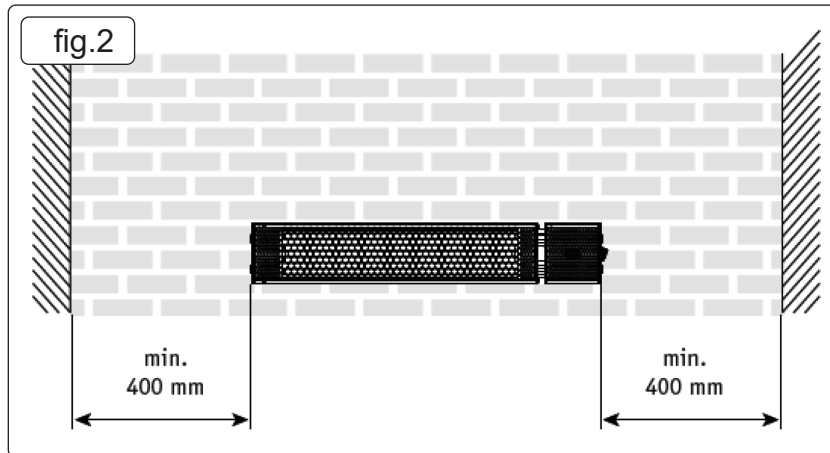
4.1. ASSEMBLY

- 4.1.1. Tools Needed: Pencil
 Hammer
 Level
 Screw Driver
 Power Drill and drill bits

1	Bracket	L Shape	4pcs
2	Screws	M6 mm * 60 mm	4pcs
3	Screws	M5 mm * 10 mm	4pcs
4	Nut	M6 mm	2pcs
5	Screws	M6 mm * 12 mm	2pcs

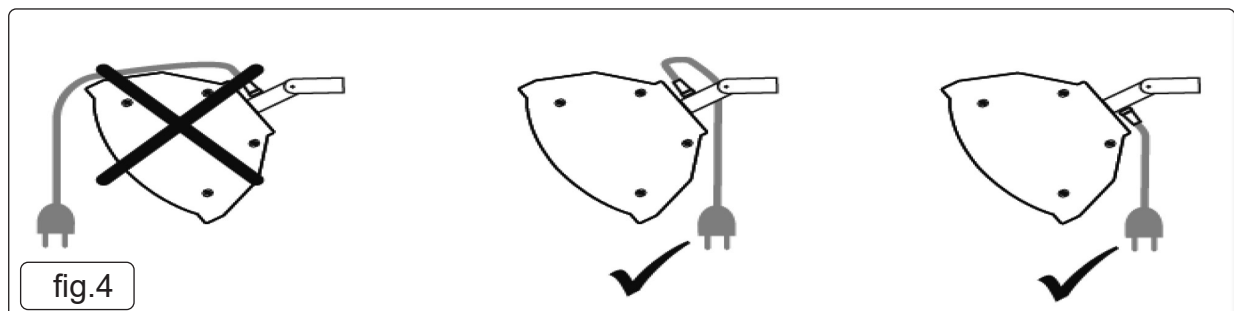
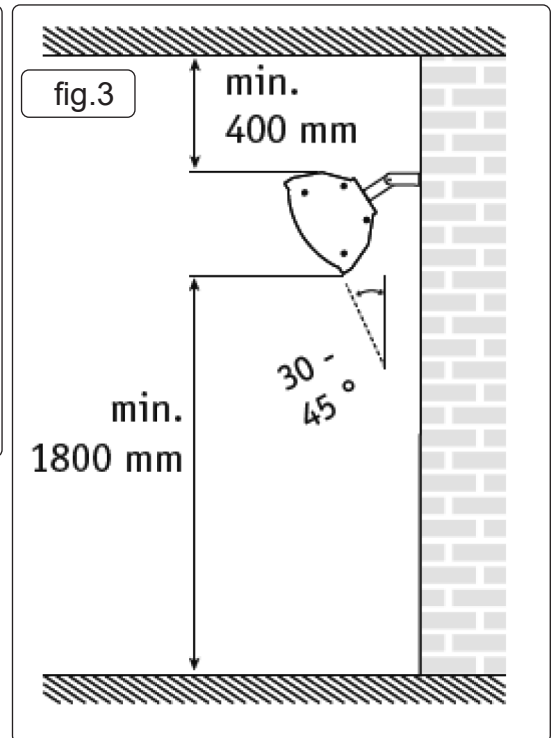


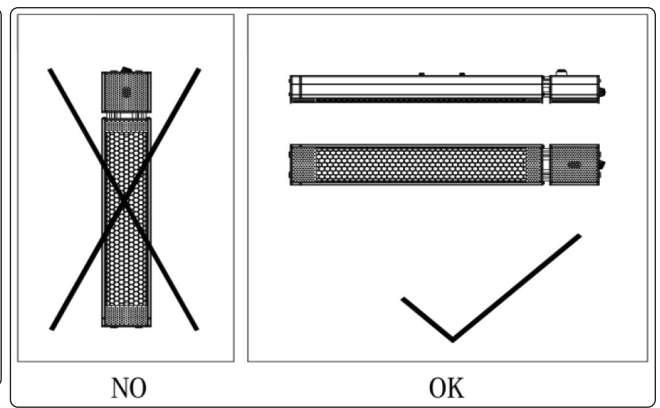
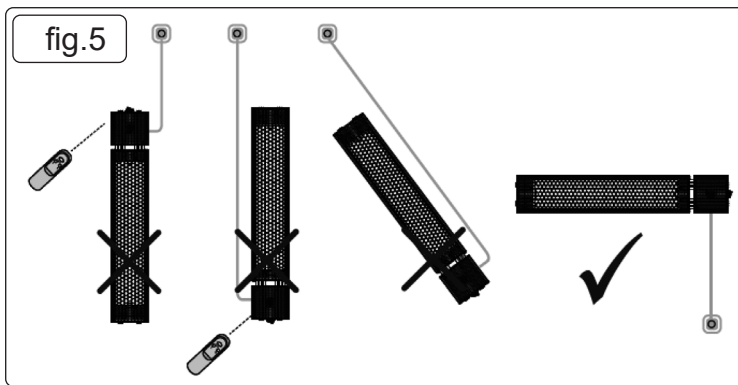
- 4.1.2. There are 4 'L' shaped brackets included in the kit (fig.1.1). These combine to make two mounting hinges for the heater.



4.2. INSTALLATION

- 4.2.1. A wall mounting bracket is provide with the heater which has been specifically designed to allow this product to be fitted to a wall or ceiling before drilling the holders for the wall/ceiling is solid and that there are no hidden water pipes or electric wires. The heater must be installed no less than 400 mm form side walls and no less than 1800 mm off the floor.
- WARNING!** Ensure that the supply cable is well mounted and that it does not come into contact with reflector of the heater or that it does not trail into heated area, the supply cable can be fixed to the metal mounting bracket behind heater with plastic zip ties.
 - The heater must be installed at least 1.8m above the floor.

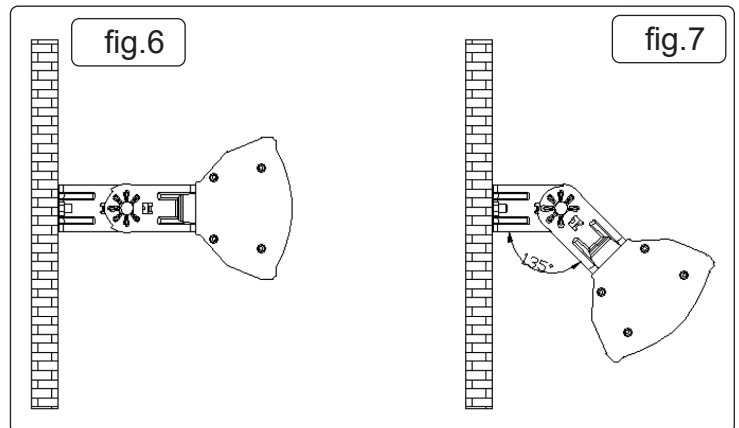




* **DO NOT** install at an angle.

5. OPERATION

- * **DO NOT** use an extension cable.
- 5.1. **PLUG** the unit into a plug socket, make sure the power supply is the same as rated.
- 5.2. **PRESS** the power button on the right side of heater.
- 5.3. **TURN ON** the heater by remote control, or off the heater.
- 5.4. **RED POWER LEVEL BUTTON**, setting the power level. LED light on front of heater indicates power level. Red - heater in standby, Green - 50%, Blue - 100%.
- 5.5. **PUSH BUTTON**: on the right of heater, is for manual operation without the remote control.



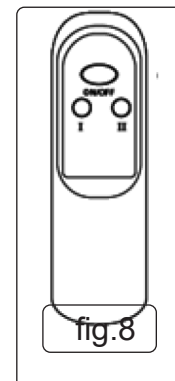
5.6. REMOTE CONTROL

Remote Control Function		
Button	Function (Heater On)	Function (Heater Off)
O	Turns heater on or off	Red LED illuminates
I	Power setting	Turns heater on to Level 1 (50%*power) Green LED illuminates
II	Power setting	Turns heater on to Level 2 (100%*power) Blue LED illuminates

NOTE: It may be possible to control several heaters with one remote.

5.7. INSERTING BATTERIES (NOT INCLUDED)

- 5.7.1. Insert 2 AAA/ Alkaline type batteries into your remote control.
- 5.7.2. Turn to the backside of your remote control and pull out battery cover. Insert the batteries in accordance with the instructions and polarity the batteries.
- 5.7.3. Push the battery cover into place after changing the batteries.



6. MAINTENANCE

- 6.1. Regular and careful cleaning helps your infrared heater operate efficiently for many trouble free for years. To clean your heater follow steps below. Unplug the heater from the mains for your safety before cleaning your appliance.
 - 6.1.1. Make sure the heater is cool before continuing.
 - 6.1.2. To keep the heater clean, the outer shell maybe cleaned with a soft, damp cloth. You may use a mild detergent if necessary. After cleaning, dry the unit with a soft cloth.
 - WARNING! DO NOT** let liquids enter the heater.
 - * **DO NOT** use alcohol, gasoline, abrasive powders, furniture polish or rough brushes to clean the heater. This may cause damage or deterioration to the surface of the heater.
 - * **DO NOT** immerse the heater in water.
 - 6.1.3. Wait until the heater is completely dry before use.
- 6.2. **STORAGE**
 - 6.2.1. Store the heater in a cool, dry location when not in use to prevent dust and dirt build up. Use packaging carton to store.

7. TROUBLESHOOTING

- 7.1. If heater will not turn on. Check the cable is plugged into an electrical outlet, if not, plug in.
- 7.2. Check if electricity to the building is working.
- 7.3. Bulb is lit, but no heat: Bulb is damaged. Arrange for replacement bulb with your Sealey stockist.



ENVIRONMENT PROTECTION

Recycle unwanted materials instead of disposing of them as waste. All tools, accessories and packaging should be sorted, taken to a recycling centre and disposed of in a manner which is compatible with the environment. When the product becomes completely unserviceable and requires disposal, drain any fluids (if applicable) into approved containers and dispose of the product and fluids according to local regulations.



WEEE REGULATIONS

Dispose of this product at the end of its working life in compliance with the EU Directive on Waste Electrical and Electronic Equipment (WEEE). When the product is no longer required, it must be disposed of in an environmentally protective way. Contact your local solid waste authority for recycling information.



BATTERY REMOVAL: REMOTE CONTROL

Under the Waste Batteries and Accumulators Regulations 2009, Jack Sealey Ltd are required to inform potential purchasers of products containing batteries (as defined within these regulations), that they are registered with Valpak's registered compliance scheme. Jack Sealey Ltd Batteries Producer Registration Number (BPRN) is BPRN00705.

Note: It is our policy to continually improve products and as such we reserve the right to alter data, specifications and component parts without prior notice. Please note that other versions of this product are available. If you require documentation for alternative versions, please email or call our technical team on technical@sealey.co.uk or 01284 757505.

Important: No Liability is accepted for incorrect use of this product.

Warranty: Guarantee is 12 months from purchase date, proof of which is required for any claim.

Sealey Group, Kempson Way, Suffolk Business Park, Bury St Edmunds, Suffolk. IP32 7AR



01284 757500



01284 703534



sales@sealey.co.uk



www.sealey.co.uk