

Thank you for purchasing a Sealey product. Manufactured to a high standard this product will, if used according to these instructions and properly maintained, give you years of trouble free performance.



IMPORTANT: PLEASE READ THESE INSTRUCTIONS CAREFULLY. NOTE THE SAFE OPERATIONAL REQUIREMENTS, WARNINGS, AND CAUTIONS. USE THIS PRODUCT CORRECTLY, AND WITH CARE FOR THE PURPOSE FOR WHICH IT IS INTENDED. FAILURE TO DO SO MAY CAUSE DAMAGE AND/OR PERSONAL INJURY AND WILL INVALIDATE THE WARRANTY.

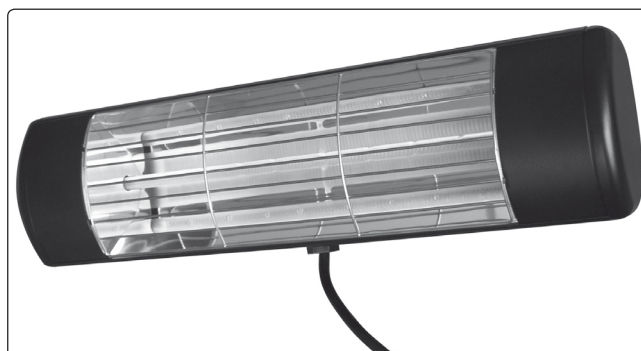
1. SAFETY INSTRUCTIONS

1.1 ELECTRICAL SAFETY

- WARNING!** It is the responsibility of the owner and the operator to read, understand and comply with the following:
You must check all electrical products, before use, to ensure that they are safe. You must inspect power cables, plugs, sockets and any other connectors for wear or damage. You must ensure that the risk of electric shock is minimised by the installation of appropriate safety devices. A Residual Current Circuit Breaker (RCCB) should be incorporated in the main distribution board. We also recommend that a Residual Current Device (RCD) is used. It is particularly important to use an RCD with portable products that are plugged into a supply which is not protected by an RCCB. If in any doubt consult a qualified electrician. You may obtain a Residual Current Device by contacting your Sealey dealer.
You must also read and understand the following instructions concerning electrical safety.
- 1.1.1 The Electricity at Work Act 1989 requires that all portable electrical appliances, if used on business premises, are tested by a qualified electrician, using a Portable Appliance Tester (PAT), at least once a year.
- 1.1.2 The Health & Safety at Work Act 1974 makes owners of electrical appliances responsible for the safe condition of those appliances and the safety of the appliance operators. If in any doubt about electrical safety, contact a qualified electrician.
- 1.1.3 Ensure that the insulation on all cables and on the appliance is safe before connecting it to the power supply. See 1.1.1 and 1.1.2 and use a Portable Appliance Tester.
- 1.1.4 Ensure that cables are always protected against short circuit and overload.
- 1.1.5 Regularly inspect power supply cables and plugs etc. for wear or damage and check all connections to ensure that none are loose.
- 1.1.6 **Important:** Ensure that the voltage marked on the appliance matches the power supply to be used and that a correctly rated fuse is fitted.
- 1.1.7 **DO NOT** pull or carry the appliance by the power cable.
- 1.1.8 **DO NOT** use worn or damaged cables, plugs or connectors. Immediately have any faulty item repaired or replaced by a qualified electrician.
- 1.1.9 Installation should always be carried out by a qualified electrician or a competent person in accordance with current electrical regulation, protected by a suitably rated isolator and fuse or type 3 mcb.
- 1.1.10 This heater is IP55 rated and is suitable for outdoor use. To maintain the protection rating all connections to the mains must be done with a minimum of IP55 equipment.
- 1.1.11 The mains lead is made from high temperature cable, not a standard PVC cable and as such should not be replaced without consulting a suitable qualified electrician.
- 1.1.12 Ensure that the mounting bracket is adequately earthed.
- 1.1.13 Use of an extension cord is not recommended.

1.2 GENERAL SAFETY INSTRUCTIONS

- ✓ Familiarise yourself with the applications and limitations of the heater.
- ✓ Ensure the heater is in good order and condition before use. If in any doubt do not use the unit and contact an electrician.
- ✓ Only use recommended attachments and parts. To use unauthorised parts may be dangerous and will invalidate your warranty.
- ✓ Check that element guards are in place, undamaged and firmly attached.
- ✓ Keep tools and other items away from the heater when it is in use.
- ✓ Keep the work area clean and clear of unnecessary items.
- ✓ Keep children and unauthorised persons away from the heater, as it gets **very hot**.
- ✓ Disconnect from mains and allow to cool before moving or attempting any cleaning or maintenance.
- x **DO NOT** subject the heater to prolonged exposure to water. The product is IP55 rated.
- x **DO NOT** locate the heater below the power outlet.
- x **DO NOT** move the heater whilst in operation or even when still warm.
- x **DO NOT** touch the heater element, even when cold.
- x **DO NOT** disassemble the heater for any reason. This heater must be checked by qualified personnel only.
- x **DO NOT** use this heater to perform a task for which it has not been designed.
- WARNING!** If a fuse blows, ensure it is replaced with an identical fuse type and rating.
- ✓ When not in use, store the heater carefully in a safe, dry, child proof location.
- WARNING!** Never touch the element directly with fingers. Use a soft cloth, otherwise the tube may get damaged.
- WARNING!** Ensure the heater is at least 1m from any object.



2. INTRODUCTION & SPECIFICATION

A totally dry heat, no condensation, no gas, no fumes and no smell. Reaches maximum heat output within seconds of being turned on. Highly polished aluminium reflector for maximum heat efficiency. Adjusts horizontally through 90° while mounted. Ideal for industrial or domestic applications, IP55 rated.

Power: 1500W
Input supply: 230V 50Hz 6.3A
Dimensions (W x H x D): 480 x 125 x 125mm
Mounting Bracket Stand Off: 45mm
Minimum Mounting Height: 1.8m

3. MOUNTING INSTALLATION

3.1 WALL MOUNTING (fig.1)

IMPORTANT! The following points should be noted: *The heater should always have a minimum clearance of 500mm from a ceiling and at least 1000mm from any object.*

IMPORTANT! Ensure that the mounting surface is capable of supporting the weight of the heater.

IMPORTANT! The mounting bracket must be sufficiently earthed.

3.1.1 Remove the wall mounting bracket from the heater by removing the two bolts from either end of the bracket.

3.1.2 Before drilling ensure that there are no wires or water pipes in the area where the heater is to be placed.

3.1.3 Use the bracket as a template, fix the metal bracket to the wall by means of the three holes and appropriate fixings (not supplied).

3.1.4 Refit the heater back onto the bracket and secure with the two bolts.

3.1.5 Adjust the angle of heater to direct heat where required, between 45° and 90° (see fig.1).

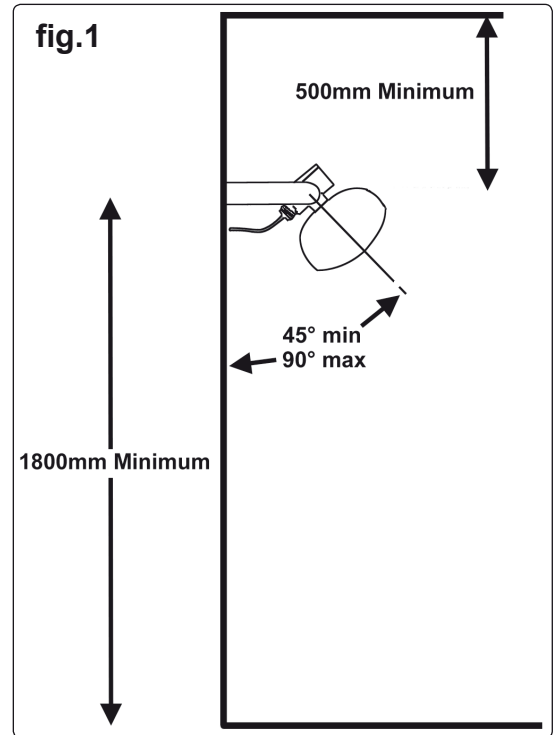
3.2 PARASOL MOUNTING

Ensure the heater is at least 500mm away from the canvas/material of the parasol.

3.2.1 Bolt the supplied parasol clamp to the wall mounting bracket on the back of the heater. Bolt to one of the outer bracket holes so the parasol bracket will be central to the main bracket.

3.2.2 Elevate the heater up to the correct height and tighten the parasol clamp around the parasol upright to secure in place.

IMPORTANT! Ensure all minimum distances are observed.



4. OPERATION

Note: The infrared lamp is fragile and therefore it is important that it is not subjected to any unnecessary shocks or vibration and is not moved when it is on or until cooled down.

WARNING! Ensure you read, understand and apply the safety instructions in Section 1 before using the heater.

4.1 Ensure the heater is at least 1000mm from any object. The heater can be tilted from 45° to 90° set it to the required angle before switching the heater on. Adjust the heater angle by loosening the two bolts on the wall mounting bracket. Tighten the bolts again when the desired angle is reached.

4.2 Ensure that the mains supply is adequately protected and that the mounting bracket is earthed, then switch on.

4.3 Make sure the heater is disconnected from the mains supply before any cleaning is attempted. Also allow the heater to cool completely.

4.4 When the heater is no longer required, switch off and unplug the unit.

4.5 Clean the exterior with a soft damp cloth.

4.6 To replace the element, contact your authorised Sealey dealer.

4.7 The mains lead is made from high temperature cable, not a standard PVC cable and as such should not be replaced without consulting a suitable qualified electrician.

NOTE: It is our policy to continually improve products and as such we reserve the right to alter data, specifications and component parts without prior notice.

IMPORTANT: No liability is accepted for incorrect use of this product.

WARRANTY: Guarantee is 12 months from purchase date, proof of which will be required for any claim.

INFORMATION: For a copy of our latest catalogue and promotions call us on 01284 757525 and leave your full name and address, including postcode.



Sole UK Distributor, Sealey Group,
Kempson Way, Suffolk Business Park,
Bury St. Edmunds, Suffolk,
IP32 7AR

01284 757500

www.sealey.co.uk

01284 703534

sales@sealey.co.uk