



HAND-HELD SHORT WAVE INFRARED PANEL DRYER

MODEL NO: **IR1000**

Thank you for purchasing a Sealey product. Manufactured to a high standard, this product will, if used according to these instructions, and properly maintained, give you years of trouble free performance.

IMPORTANT: PLEASE READ THESE INSTRUCTIONS CAREFULLY. NOTE THE SAFE OPERATIONAL REQUIREMENTS, WARNINGS & CAUTIONS. USE THE PRODUCT CORRECTLY AND WITH CARE FOR THE PURPOSE FOR WHICH IT IS INTENDED. FAILURE TO DO SO MAY CAUSE DAMAGE AND/OR PERSONAL INJURY AND WILL INVALIDATE THE WARRANTY. KEEP THESE INSTRUCTIONS SAFE FOR FUTURE USE.



Refer to instructions

1. SAFETY

1.1. ELECTRICAL SAFETY

- ❑ **WARNING!** It is the user's responsibility to check the following:
Check all electrical equipment and appliances to ensure that they are safe before using. Inspect power supply leads, plugs and all electrical connections for wear and damage. Sealey recommend that an RCD (Residual Current Device) is used with all electrical products. You may obtain an RCD by contacting your local Sealey stockist.
if the product is used in the course of business duties, it must be maintained in a safe condition and routinely PAT (Portable Appliance Test) tested.
Electrical safety information, it is important that the following information is read and understood.
- ✓ Ensure that the insulation on all cables and on the appliance is safe before connecting it to the power supply.
- ✓ Regularly inspect power supply cables and plugs for wear or damage and check all connections to ensure that they are secure.
- ✓ Ensure that the voltage rating on the appliance suits the power supply to be used and that the plug is fitted with the correct fuse - see fuse rating in these instructions.
- ✗ **DO NOT** pull or carry the appliance by the power cable.
- ✗ **DO NOT** pull the plug from the socket by the cable. Remove the plug from the socket by maintaining a firm grip on the plug.
- ✗ **DO NOT** use worn or damaged cables, plugs or connectors. Ensure that any faulty item is repaired or replaced immediately by a qualified electrician.

1.1.1. This product is fitted with a BS1363/A 13 Amp 3 pin plug.

If the cable or plug is damaged during use, switch the electricity supply and remove from use.

Replace a damaged plug with a BS1363/A 13 Amp 3 pin plug. If in doubt contact a qualified electrician.

Class II products are wired with live (brown) and neutral (blue) only are marked with the Class II symbol;

A) Connect the BROWN live wire to the live terminal 'L'.

B) Connect the BLUE neutral wire to the neutral terminal 'N'.

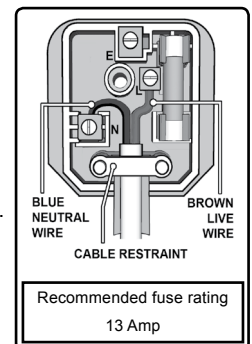
C) After wiring, check that there are no bare wires and ensure that all wires have been correctly connected.

- ✓ Ensure that the cable outer sheath extends inside the cable restraint and that the restraint is tight.
- ✗ **DO NOT** connect either wire to the earth terminal.

Sealey recommend that repairs are carried out by a qualified electrician.

1.2. GENERAL SAFETY

- ❑ **WARNING!** If a fuse blows, ensure it is replaced with a fuse of identical type and rating.
- ❑ **WARNING!** Ensure there is nobody in front of the lamp when it is switched on.
- ✓ Disconnect the panel dryer from the power supply before servicing, changing accessories, or performing any maintenance.
- ✓ Ensure that the panel dryer is in good condition before use. If in any doubt do not use the unit and contact an electrician.
- ✓ When not in use, store the panel dryer carefully in a safe, dry, childproof location.
- ✓ Familiarise yourself with the application and limitations of the panel dryer.
- ✓ Check that lamp guards are in place, undamaged and firmly attached.
- ✓ Keep tools and other items away from the panel dryer when it is in use.
- ✓ Keep the work area clean and clear of unnecessary items.
- ✓ Keep children and unauthorised persons away from the work area.
- ✓ Remember that the lamp panel will get hot, allow to cool after use.
- ✓ Maintain the panel dryer in good condition. Use authorised agent for servicing.
- ✓ Keep the dryer clean, but **DO NOT** use solvents.
- ✓ Use only genuine parts and accessories. Unauthorised parts and accessories may be dangerous and will invalidate your warranty.
- ✗ **DO NOT** use this product to perform a task for which it has not been designed.
- ✗ **DO NOT** use the panel dryer outdoors, or in damp, or wet locations, and **DO NOT** operate within the vicinity of flammable liquids, gases or solids



2. INTRODUCTION

Designed and developed to assist with any number of small drying processes. Ideal for spot repairs, engine drying, adhesive stripe removal, drying filler, drying primer or just preheating prior to spraying. May be used as a stand alone system, when fitted to the slide and lock bracket on the optional lightweight Floor Stand Model No. IR1000ST, or as a source of instant direct heat, when used hand-held. Fitted with a powerful 1000W short wave infrared lamp. Supplied with 3mtr power cable and 3-pin plug. Stand not included.

3. SPECIFICATION

Model No.....	IR1000
Number of elements.....	1
Element Power.....	1000W
Reflector Size.....	300 x110mm
Supply.....	230V

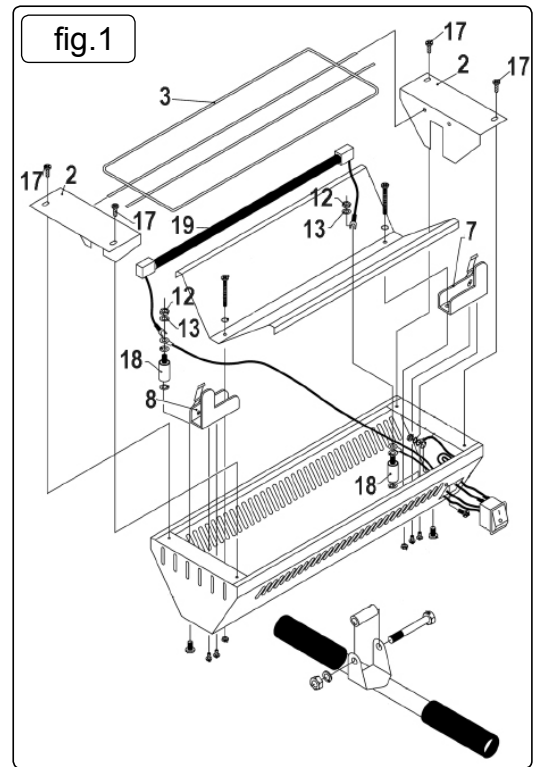
4. ASSEMBLY

4.1. Fit The Handle (fig.1).

- 4.1.1. The IR1000 has been packed with a separate handle and lamp ready for attachment and fitting to the heater. Please leave the lamp in transit packing until ready to fit.
- 4.1.2. The handle should be attached to the main unit by means of the bolt supplied, ensuring the spacer provided is fitted between the two fixing posts of the heater. Please ensure the washer is fitted under the nut, then fully tighten to secure.
- 4.1.3. When fitted, the pre-made hole in the grip of the handle should be at the bottom of the heater. If correct you will be able to tilt the body of the heater in a downward direction only.

4.2. Fit The Lamp (fig.1).

- 4.2.1. Remove the two screws (17) from one end reflector (2), this will release the guard (3) and expose one of the lamp terminal end post).
- 4.2.2. Now remove the other end reflector (2) exposing the other lamp terminal (18).
- 4.2.3. Release the nuts (12) on the exposed terminal end posts just enough to allow the fork terminals of the lamp leads to be pushed under the washers (13).
- 4.2.4. Carefully remove the lamp (19) from its packing, holding it by the porcelain end caps only, taking care not to handle the quartz glass.
- 4.2.5. Carefully insert the end caps of the lamp under the spring retaining clips (7 & 8) of the heater. The fork terminals on each end of the lamp should now be inserted under the washer (13) of the lamp end posts and nuts (12) tightened to make a good connection.
- 4.2.6. The lamp leads should then be tucked away around the space at each end of the heater.
- 4.2.7. Now replace the end reflectors (2) and guard (3) to complete the assembly.

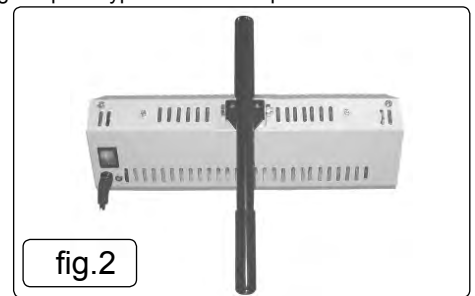


5. OPERATION

Note:The IR lamp is fragile and therefore it is important that the IR1000 is not subjected to any unnecessary shocks or vibration and is not moved when the lamp is on.

- **WARNING!** Ensure that you read, understand and apply the safety instructions in Section 1 before using the panel dryer.
- 5.1. Allow a 4-5 minute 'flash-off' period for excess solvent to evaporate before close positioning of dryer to panel - solvent boil or popping may occur if the panel temperature is raised too rapidly. Remove or otherwise protect, any trim items on or adjacent to the panel to prevent possible distortion.
- 5.2. Position the lamp approximately 500mm from the panel.
- 5.3. Paint to lamp distance and heating time are dependant on a number of factors including the paint type and workshop conditions and are best based on experience. However rough guidelines are as follows:

Material	Drying Time	Distance
Polyester stopper	08 - 12mins	600 - 700mm
MS primer	15 - 18mins	500 - 600mm
Water-based filler paint	15 - 18mins	500 - 600mm
Finishing paint	18 - 25mins	400 - 500mm
- 5.4. ON/OFF switch. To switch the unit on operate the rocker switch on the underside of the unit. The 'O' symbol is the 'OFF' position and the 'I' symbol is the 'ON' position. Important: Excessive drying time will burn the paint and may distort the panel.
- 5.5. When the heating period is over switch off at socket and then remove dryer plug.
- 5.6. Allow the dryer to cool before moving it to a safe, dry, childproof storage area.



ENVIRONMENT PROTECTION

Recycle unwanted materials instead of disposing of them as waste. All tools, accessories and packaging should be sorted, taken to a recycling centre and disposed of in a manner which is compatible with the environment. When the product becomes completely unserviceable and requires disposal, drain any fluids (if applicable) into approved containers and dispose of the product and fluids according to local regulations.



WEEE REGULATIONS

Dispose of this product at the end of its working life in compliance with the EU Directive on Waste Electrical and Electronic Equipment (WEEE). When the product is no longer required, it must be disposed of in an environmentally protective way. Contact your local solid waste authority for recycling information.

Note: It is our policy to continually improve products and as such we reserve the right to alter data, specifications and component parts without prior notice.

Important: No Liability is accepted for incorrect use of this product.

Warranty: Guarantee is 12 months from purchase date, proof of which is required for any claim.

Sealey Group, Kempson Way, Suffolk Business Park, Bury St Edmunds, Suffolk. IP32 7AR

01284 757500

01284 703534

sales@sealey.co.uk

www.sealey.co.uk