



INSTRUCTIONS FOR: STAND FOR IR1000 INFRARED PANEL DRYER

MODEL No: **IR1000ST**

Thank you for purchasing a Sealey product. Manufactured to a high standard, this product will, if used according to these instructions, and properly maintained, give you years of trouble free performance.



IMPORTANT: PLEASE READ THESE INSTRUCTIONS CAREFULLY. NOTE THE SAFE OPERATIONAL REQUIREMENTS, WARNINGS & CAUTIONS. USE THE PRODUCT CORRECTLY AND WITH CARE FOR THE PURPOSE FOR WHICH IT IS INTENDED. FAILURE TO DO SO MAY CAUSE DAMAGE AND/OR PERSONAL INJURY AND WILL INVALIDATE THE WARRANTY. KEEP THESE INSTRUCTIONS SAFE FOR FUTURE USE.

1. SAFETY

- WARNING!** Ensure Health & Safety, local authority, and general workshop practice regulations are adhered to when using this stand.
- ✓ Use the stand in a suitable work area.
- ✓ Keep the work area clean, uncluttered and ensure there is adequate lighting.
- ✗ **DO NOT** use the stand for any purpose other than that for which it is designed.
- ✗ **DO NOT** leave unattended when in use with the panel heater.
- ✗ **DO NOT** use stand on uneven ground.
- ✗ **DO NOT** use stand if any part is significantly damaged.
- ✓ Ensure the IR1000 lamp is securely fixed to the stand using the correct mounting bracket.
- ✓ Keep children and unauthorised persons away from the work area.

NOTE! For further safety instructions regarding the correct and safe use of the panel dryer please see the instructions supplied with the IR1000 Infrared Short wave Panel Dryer.

2. INTRODUCTION

A sturdy 6ft (1800mm) chrome plated stand. Combines all the features of a flexible hand held heater, with all the benefits of a free standing paint dryer. Full height 'slide and lock' heater bracket. Ideal for use on small repairs and drying jobs, for example engine drying - stripe removal - filler drying - stone chip repairs and preheating prior to spraying. Easy assembly and **designed to suit the IR1000 Hand Held Infrared Panel Dryer.**

3. CONTENTS

Carefully unpack the product and check the contents against the diagram (fig.1) and parts list below. Should any items be missing or damaged contact your Sealey dealer.

4. ASSEMBLY

Note: All number references are to fig.1 on the right.

- 4.1. **With the H base (5) on its side, insert the M12 bolt (6) and washer (7) through the centre hole.**
- 4.2. Fix pole (4) to H base bolt (6) by locating the captive nut in one end of the pole and secure tightly.
- 4.3. Turn the stand so that it is upright.
- 4.4. Attach the next upright section (3) followed by the top section (1).
- 4.5. Attach the slide and lock assembly (2) by sliding over the pole assembly and secure at any desired position using the hand wheel.
- 4.6. The stand is now ready to be used in conjunction with the IR1000 Hand-Held Infrared Dryer.

5. PARTS

ITEM	PART No:	DESCRIPTION
1	IR1000ST.SPT	UPPER POLE
2	IR1000ST.ST1	SLIDE & LOCK BRACKET
3	IR1000ST.SP1	MAIN POLE (UPPER)
4	IR1000ST.SP2	MAIN POLE (LOWER)
5	IR1000ST.SB	BASE
6	ES550-15	BOLT (M12X60)
7	MC390/16	WASHER (M12)

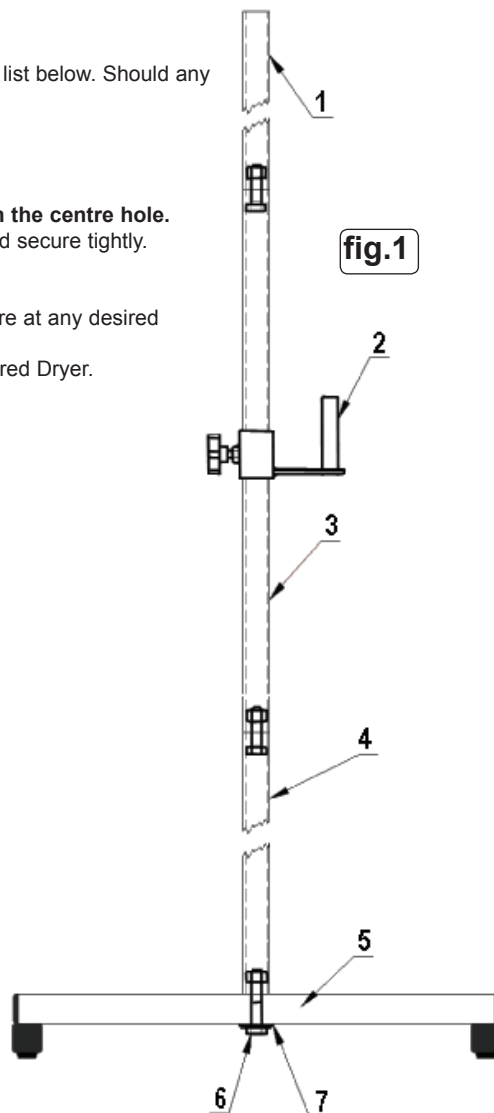


fig.1



Environmental Protection

Recycle unwanted materials instead of disposing of them as waste. All tools, accessories and packaging should be sorted, taken to a recycling centre and disposed of in a manner which is compatible with the environment. When the product becomes completely unserviceable and requires disposal, drain off any fluids (if applicable) into approved containers and dispose of the product and the fluids according to local regulations.

NOTE: It is our policy to continually improve products and as such we reserve the right to alter data, specifications and component parts without prior notice.

IMPORTANT: No liability is accepted for incorrect use of this product.

WARRANTY: Guarantee is 12 months from purchase date, proof of which will be required for any claim.

INFORMATION: For a copy of our latest catalogue and promotions call us on 01284 757525 and leave your full name and address, including postcode.



Sole UK Distributor, Sealey Group,
Kempson Way, Suffolk Business Park,
Bury St. Edmunds, Suffolk,
IP32 7AR



01284 757500



01284 703534



www.sealey.co.uk



sales@sealey.co.uk