



20" INDUSTRIAL HIGH VELOCITY ORBITAL DRUM FAN

MODEL NO: **HVF20S.V2**

Thank you for purchasing a Sealey product. Manufactured to a high standard, this product will, if used according to these instructions, and properly maintained, give you years of trouble free performance.

IMPORTANT: PLEASE READ THESE INSTRUCTIONS CAREFULLY. NOTE THE SAFE OPERATIONAL REQUIREMENTS, WARNINGS & CAUTIONS. USE THE PRODUCT CORRECTLY AND WITH CARE FOR THE PURPOSE FOR WHICH IT IS INTENDED. FAILURE TO DO SO MAY CAUSE DAMAGE AND/OR PERSONAL INJURY AND WILL INVALIDATE THE WARRANTY. KEEP THESE INSTRUCTIONS SAFE FOR FUTURE USE.



Refer to instructions

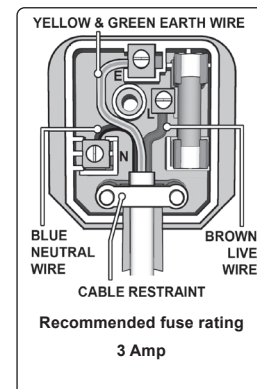


Indoor Use Only

1. SAFETY

1.1. ELECTRICAL SAFETY

- ❑ **WARNING!** It is the responsibility of the owner and the operator to read, understand and comply with the following:
You must check all electrical products, before use, to ensure that they are safe. You must inspect power cables, plugs, sockets and any other connectors for wear or damage. You must ensure that the risk of electric shock is minimised by the installation of appropriate safety devices. A Residual Current Circuit Breaker (RCCB) should be incorporated in the main distribution board. You must also read and understand the following instructions concerning electrical safety.
- ✓ Ensure that cables are always protected against short circuit and overload.
- ✓ Regularly inspect power supply cables and plugs for wear or damage and check all connections to ensure that none are loose.
- ✓ Ensure that the voltage marked on the appliance matches the power supply to be used and that the plug is fitted with the correct fuse - see fuse rating at right.
- ✗ **DO NOT** use worn or damaged cables, plugs or connectors. Have any faulty item repaired or replaced immediately by a competent electrician.
- ✓ It is recommended that this heater is wired directly to a fused isolator switch. If, however, a plug is fitted, the following applies:
- ✓ Fit a new plug according to the following instructions (UK only).
 - a) Connect the GREEN/YELLOW earth wire to the earth terminal 'E'.
 - b) Connect the BROWN live wire to the live terminal 'L'.
 - c) Connect the BLUE neutral wire to the neutral terminal 'N'.
 - d) After wiring, check that there are no bare wires, that all wires have been correctly connected, that the cable restraint is tight.



1.2. GENERAL SAFETY

- ✓ Disconnect the fan from the mains power when not in use and before servicing or performing any maintenance.
- ✓ Use the fan in dry areas only. **DO NOT** use in wet or areas with high condensation such as showers, pools etc.
- ❑ **WARNING!** If a fan falls into water or other liquid, immediately switch off and disconnect from the mains power supply. **DO NOT** touch the fan until the mains power supply has been disconnected.
- ✓ Always disconnect the fan from the power supply when moving it from one location to another and ensure fan is stood on a level surface.
- ✓ The fan air flow is powerful. Before use ensure that there is nothing nearby that will be damaged or displaced by the stream of air.
- ✓ Keep the fan clean and maintained in good condition. For motor service contact an authorised service agent.
- ✓ Use recommended parts only. Unapproved parts may be dangerous, and will invalidate your warranty.
- ✗ **DO NOT** operate the fan where there are explosive or flammable gases, fumes or other hazardous substances.
- ✗ **DO NOT** stand the fan on the power cable.
- ✗ **DO NOT** insert any objects through the fan guard.
- ✗ **DO NOT** cover the fan when in use.
- ✗ **DO NOT** immerse the fan in water or any other liquid.
- ✗ **DO NOT** allow children to operate the fan.
- ✗ **DO NOT** stand the fan where it may be knocked over or off a surface, or where the lead may cause a person to trip.
- ✗ **DO NOT** use the fan outdoors.
- ✗ **DO NOT** modify speed control or attempt to fit any additional external speed control device to the fan.
- ✓ When not in use place the fan in its original box, or otherwise cover, to protect from dust and store in a safe, dry, childproof location.

NOTE: This appliance is not intended for use by persons (including children) with reduced physical, sensory or mental capabilities or lack of experience and knowledge, unless they have been given supervision or instruction concerning the use of the appliance by a person responsible for their safety. Children should be supervised to ensure that they do not play with the appliance.

2. INTRODUCTION

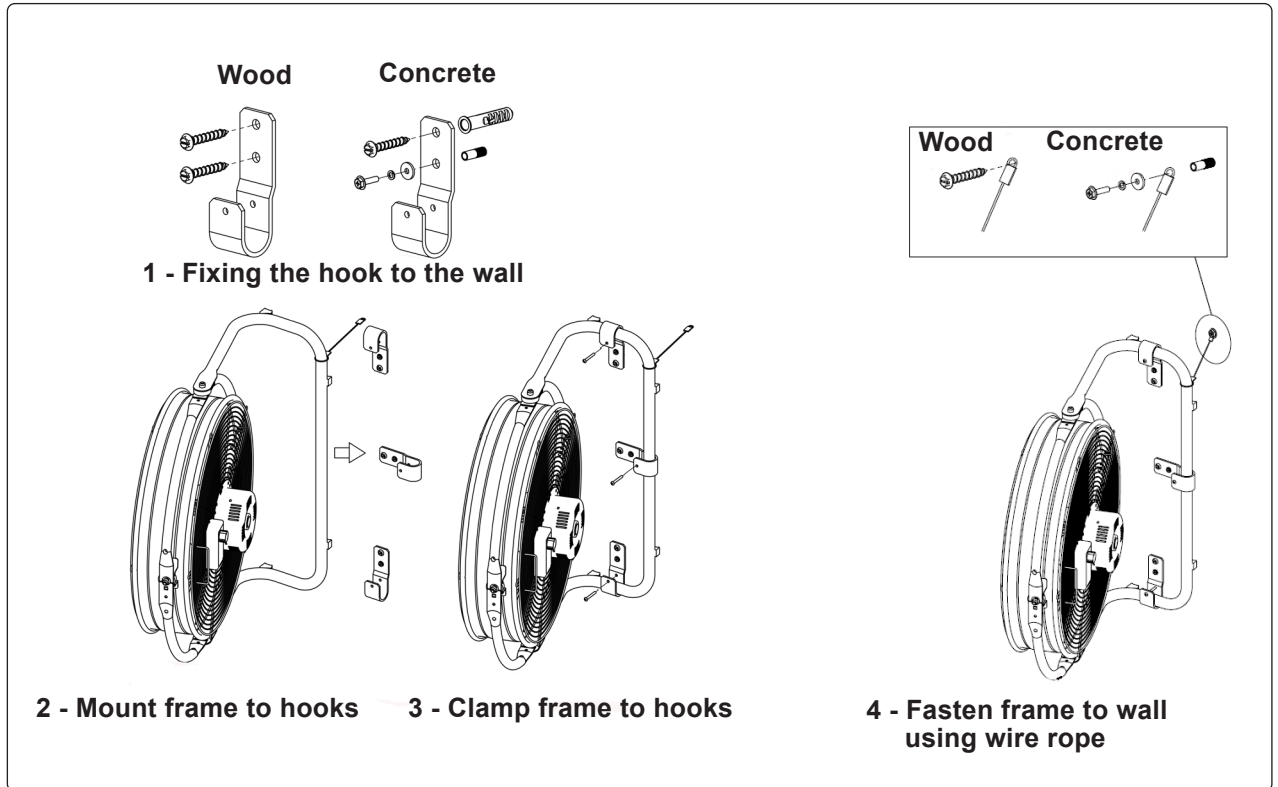
High velocity industrial 3-speed drum fan suitable for movement of huge volumes of air. Robust unit with heavy-duty gauge steel casing, guard and frame. Featuring a 360° tilt function allowing for the direction of airflow to be positioned anywhere on a 360° axis. Carefully balanced and fully guarded blades provide quiet and safe operation. Fitted with 3-pin plug. Suitable for industrial, commercial, agricultural, automotive workshop and showroom applications.

3. SPECIFICATION

Model No:..... HVF20S.V2
Current:.....0.5A
Fan Diameter:Ø550mm(20")
Maximum Airflow:..... 115m³/min(4061cfm)
Power:..... 110W
Speed Range:..... 1100-1350rpm
Speeds:..... 3
Supply:.....230V

4. WALL MOUNTING

4.1. This item may be wall mounted using the supplied Wall Mounting Kit. See Steps 1 to 4 below.



5. OPERATION

- **WARNING!** Ensure that you read, understand and apply safety instructions in Section 1 before using fan.
- 5.1. Check that the speed control is set to "0" (off) and then plug into the mains power supply and switch the power on.
- 5.2. The fan features 3 speeds which are selectable using the switch located on the back of the fan.
- 5.3. Adjust the direction of the air flow by rotating and tilting the fan up or down as required.
- 5.4. When you have finished using the fan ensure you turn the speed control switch to "0" (off) , disconnect the fan from the power supply.

6. MAINTENANCE

- **WARNING!** Ensure that the fan is disconnected from the mains power supply before attempting any of the following:
- 6.1. Use a soft, damp cloth to clean the fan. **DO NOT** immerse the fan in water and never allow water to drip onto the motor housing. **DO NOT** use solvents, petroleum, paint thinner or other chemicals to clean the fan.
- 6.2. To clean the fan blade, undo the cross headed screws around the circumference, remove the grille and clean the blade with a slightly damp cloth. Replace the grille as required and refit the cross headed screws.
- 6.3. Should the motor, switch or the power lead require service or maintenance contact your local Sealey service agent.
- 6.4. When not in use place the fan in its original box or otherwise cover to protect from dust, and store in a safe, dry, childproof location.



ENVIRONMENT PROTECTION

Recycle unwanted materials instead of disposing of them as waste. All tools, accessories and packaging should be sorted, taken to a recycling centre and disposed of in a manner which is compatible with the environment. When the product becomes completely unserviceable and requires disposal, drain any fluids (if applicable) into approved containers and dispose of the product and fluids according to local regulations.



WEEE REGULATIONS

Dispose of this product at the end of its working life in compliance with the EU Directive on Waste Electrical and Electronic Equipment (WEEE). When the product is no longer required, it must be disposed of in an environmentally protective way. Contact your local solid waste authority for recycling information.

Note: It is our policy to continually improve products and as such we reserve the right to alter data, specifications and component parts without prior notice. Please note that other versions of this product are available. If you require documentation for alternative versions, please email or call our technical team on technical@sealey.co.uk or 01284 757505.

Important: No Liability is accepted for incorrect use of this product.

Warranty: Guarantee is 12 months from purchase date, proof of which is required for any claim.

Sealey Group, Kempson Way, Suffolk Business Park, Bury St Edmunds, Suffolk. IP32 7AR



01284 757500



01284 703534



sales@sealey.co.uk



www.sealey.co.uk