



# 24" INDUSTRIAL HIGH VELOCITY DRUM FAN

MODEL NO: HVD24.V3

Thank you for purchasing a Sealey product. Manufactured to a high standard, this product will, if used according to these instructions, and properly maintained, give you years of trouble free performance.

**IMPORTANT:** PLEASE READ THESE INSTRUCTIONS CAREFULLY. NOTE THE SAFE OPERATIONAL REQUIREMENTS, WARNINGS & CAUTIONS. USE THE PRODUCT CORRECTLY AND WITH CARE FOR THE PURPOSE FOR WHICH IT IS INTENDED. FAILURE TO DO SO MAY CAUSE DAMAGE AND/OR PERSONAL INJURY AND WILL INVALIDATE THE WARRANTY. KEEP THESE INSTRUCTIONS SAFE FOR FUTURE USE.



Refer to instructions

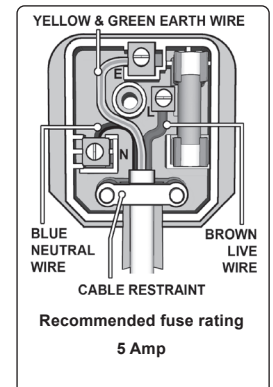


Indoor Use Only

## 1. SAFETY

### 1.1. ELECTRICAL SAFETY

- ❑ **WARNING!** It is the responsibility of the owner and the operator to read, understand and comply with the following:  
You must check all electrical products, before use, to ensure that they are safe. You must inspect power cables, plugs, sockets and any other connectors for wear or damage. You must ensure that the risk of electric shock is minimised by the installation of appropriate safety devices. A Residual Current Circuit Breaker (RCCB) should be incorporated in the main distribution board. You must also read and understand the following instructions concerning electrical safety.
- ✓ Ensure that cables are always protected against short circuit and overload.
- ✓ Regularly inspect power supply cables and plugs for wear or damage and check all connections to ensure that none are loose.
- ✓ Ensure that the voltage marked on the appliance matches the power supply to be used and that the plug is fitted with the correct fuse - see fuse rating at right.
- \* **DO NOT** use worn or damaged cables, plugs or connectors. Have any faulty item repaired or replaced immediately by a competent electrician.
- ✓ It is recommended that this heater is wired directly to a fused isolator switch. If, however, a plug is fitted, the following applies:
- ✓ Fit a new plug according to the following instructions (UK only).
  - a) Connect the GREEN/YELLOW earth wire to the earth terminal 'E'.
  - b) Connect the BROWN live wire to the live terminal 'L'.
  - c) Connect the BLUE neutral wire to the neutral terminal 'N'.
  - d) After wiring, check that there are no bare wires, that all wires have been correctly connected, that the cable restraint is tight.



### 1.2. GENERAL SAFETY

- ✓ Disconnect the fan from the mains power when not in use and before servicing or performing any maintenance.
  - ✓ Use the fan in dry areas only. **DO NOT** use in wet or areas with high condensation such as showers, pools etc.
  - ❑ **WARNING!** If a fan falls into water or other liquid, immediately switch off and disconnect from the mains power supply. **DO NOT** touch the fan until the mains power supply has been disconnected.
  - ✓ Always disconnect fan from the power supply when moving from one location to another and ensure fan is stood on a level surface.
  - ✓ The fan air flow is powerful. Before use ensure that there is nothing nearby that will be damaged or displaced by the stream of air.
  - ✓ Keep the fan clean and maintained in good condition. For motor service contact an authorised service agent.
  - ✓ Use recommended parts only. Unapproved parts may be dangerous, and will invalidate your warranty.
  - \* **DO NOT** operate the fan where there are explosive or flammable gases, fumes or other hazardous substances.
  - \* **DO NOT** stand the fan on the power cable.
  - \* **DO NOT** insert any objects through the fan guard.
  - \* **DO NOT** cover the fan when in use.
  - \* **DO NOT** immerse the fan in water or any other liquid.
  - \* **DO NOT** allow children to operate the fan.
  - \* **DO NOT** stand the fan where it may be knocked over or off a surface, or where the lead may cause a person to trip.
  - \* **DO NOT** use the fan outdoors.
  - \* **DO NOT** modify speed control or attempt to fit any additional external speed control device to the fan.
  - ✓ When not in use place the fan in original box, or otherwise cover to protect from dust and store in a safe, dry, childproof location.
- NOTE:** This appliance is not intended for use by persons (including children) with reduced physical, sensory or mental capabilities or lack of experience and knowledge, unless they have been given supervision or instruction concerning the use of the appliance by a person responsible for their safety. Children should be supervised to ensure that they do not play with the appliance.

## 2. INTRODUCTION

High velocity industrial two speed drum fan suitable for movement of huge volumes of air. Robust unit with heavy-duty gauge steel casing, guard and frame. Handle, wheels and tilt function cradle stand allow control of airflow where it is needed. Carefully balanced and fully guarded blades provide quiet and safe operation. Fitted with 3-pin plug. Suitable for use in industrial, commercial, agricultural, automotive workshop And showroom applications.

### 3. SPECIFICATION

Model No:.....	HVD24.V3
Current:.....	0.52 A
Fan diameter:.....	Ø610 mm (24")
Speed range: .....	1350-1450 rpm
Speeds:.....	2
Supply:.....	230 V
Maximum fan flow rate (F): .....	155.3 m <sup>3</sup> /min (5484.4 cfm)
Fan power input (P): .....	116.32 W
Service value (SV): .....	1.34 (m <sup>3</sup> /min)/W
Standby power consumption (P <sub>SB</sub> ): .....	0 W
Seasonal electricity consumption (Q):.....	37.2 kWh/a
Fan sound power level (L <sub>WA</sub> ):.....	84 dB(A)
Maximum air velocity (c): .....	3.66 m/s

### 4. OPERATION

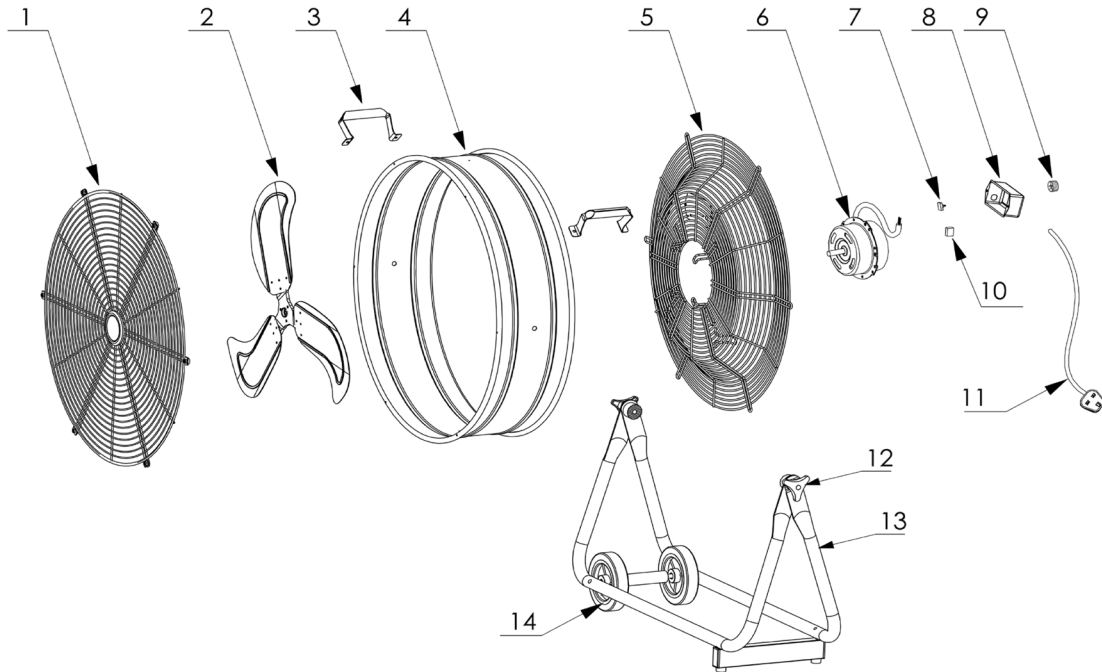
- **WARNING!** Ensure that you read, understand and apply safety instructions in Section 1 before using fan.
- 4.1. Check that the speed control is set to "0" (off) and then plug into the mains power supply and switch the power on.
- 4.2. The fans feature 2 speeds which are selectable using the switch located at the back of the fan, above the motor.
- 4.3. Adjust the direction of the air flow by moving from side to side and tilting the fan up or down as required.
- 4.4. When you have finished using the fan ensure you turn the speed control switch to "0" (off) and disconnect the fan from mains power.

### 5. MAINTENANCE

- **WARNING! Ensure that the fan is disconnected from the mains power supply before attempting any of the following:**
- 5.1. Use a soft, damp cloth to clean the fan.
  - × **DO NOT** immerse the fan in water and never allow water to drip onto the motor housing. **DO NOT** use solvents, petroleum, paint thinner or other chemicals to clean the fan.
- 5.2. To clean the fan blade, undo the cross headed screws around the circumference, remove the grille and clean the blade with a slightly damp cloth. Replace the grille as required and refit the cross headed screws.
- 5.3. Should the motor, switch or the power lead require service or maintenance contact your local Sealey stockist.
- 5.4. When not in use place the fan in its original box or otherwise cover to protect from dust, and store in a safe, dry, childproof location.



Parts Information:  
**Industrial High Velocity Drum Fan 24"**  
**230V**  
**Model No: HVD24.V3**



Item	Part No.	Description
1	HVD24.V3-01	Front Guard
2	HVD24.V3-02	Fan Blade 24"
3	HVD24.V3-03	Drum Handle
4	HVD24.V3-04	Drum
5	HVD24.V3-05	Rear Guard
6	HVD24.V3-06	Motor
7	HVD24.V3-07	Switch

Item	Part No.	Description
8	HVD24.V3-08	Switch Box
9	HVD24.V3-09	Speed Switch Knob
10	HVD24.V3-10	Capacitor
11	MC3CX0.75	Mains cable
12	HVD24.V3-12	Adjustable Knob
13	HVD24.V3-13	Base
14	HVD24.V3-14	Fixed Wheel



**ENVIRONMENT PROTECTION**

Recycle unwanted materials instead of disposing of them as waste. All tools, accessories and packaging should be sorted, taken to a recycling centre and disposed of in a manner which is compatible with the environment. When the product becomes completely unserviceable and requires disposal, drain any fluids (if applicable) into approved containers and dispose of the product and fluids according to local regulations.



**WEEE REGULATIONS**

Dispose of this product at the end of its working life in compliance with the EU Directive on Waste Electrical and Electronic Equipment (WEEE). When the product is no longer required, it must be disposed of in an environmentally protective way. Contact your local solid waste authority for recycling information.

**Note:** It is our policy to continually improve products and as such we reserve the right to alter data, specifications and component parts without prior notice. Please note that other versions of this product are available. If you require documentation for alternative versions, please email or call our technical team on [technical@sealey.co.uk](mailto:technical@sealey.co.uk) or 01284 757505.

**Important:** No Liability is accepted for incorrect use of this product.

**Warranty:** Guarantee is 12 months from purchase date, proof of which is required for any claim.

Sealey Group, Kempson Way, Suffolk Business Park, Bury St Edmunds, Suffolk. IP32 7AR



01284 757500



01284 703534



[sales@sealey.co.uk](mailto:sales@sealey.co.uk)



[www.sealey.co.uk](http://www.sealey.co.uk)



# EC DECLARATION OF CONFORMITY

Description and Function: **Industrial High Velocity Drum Fan 24" 230V**

Model/Type: **HVD24 v3**

Manufacturing Date/Serial Number where applicable: .....

2014/30/EU EMC Directive

2014/35/EU Low Voltage Directive

2011/65/EU RoHS Directive

2009/125/EC Ecodesign. Energy Related Products

This declaration of conformity is issued under the sole responsibility of the manufacturer:

**Jack Sealey Ltd, Kempson Way, Suffolk Business Park, Bury St Edmunds, Suffolk. IP32 7AR**

Declaration of Conformity in accordance with the above Directive(s).

References to harmonised standard(s)

EN 55014-1:2017 .....

EN 55014-2:2015 .....

EN 61000-3-2:2014 .....

EN 61000-3-3:2013 .....

EN 60335-1:2012 + A11:2014 +A13:2017+A2:2019 .....

EN 60335-2-80:2003 + A1:2004 + A2:2009 .....

EN 62233:2008.....

Technical file compiled by: **Jack Sealey Ltd**

**Being the responsible person appointed by the manufacturer.**

Signed *Steve Buckle* .....

Date 1 March 2020 .....

Name Steve Buckle. ....

Position Marketing Director. ....

Place: Bury St Edmunds

**Sealey Group, Kempson Way, Suffolk Business Park, Bury St Edmunds, Suffolk. IP32 7AR**

01284 757500 
 01284 703534 
 sales@sealey.co.uk 
 www.sealey.co.uk