

Thank you for purchasing a Sealey product. Manufactured to a high standard this product will, if used according to these instructions and properly maintained, give you years of trouble free performance.



IMPORTANT: PLEASE READ THESE INSTRUCTIONS CAREFULLY. NOTE THE SAFE OPERATIONAL REQUIREMENTS, WARNINGS & CAUTIONS. USE THE PRODUCT CORRECTLY AND WITH CARE FOR THE PURPOSE FOR WHICH IT IS INTENDED. FAILURE TO DO SO MAY CAUSE DAMAGE OR PERSONAL INJURY AND WILL INVALIDATE THE WARRANTY. PLEASE KEEP INSTRUCTIONS SAFE FOR FUTURE USE.

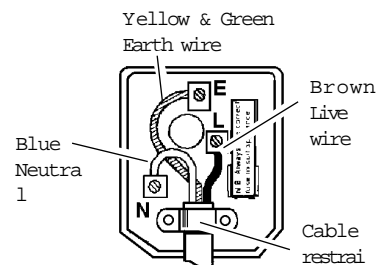
The use of symbols in this document is to attract your attention to possible danger. The symbols and warnings themselves do not eliminate any danger, nor are they substitutes for proper accident prevention measures.

1. SAFETY INSTRUCTIONS

1.1. ELECTRICAL SAFETY. **WARNING! It is the user's responsibility to read, understand and comply with the following:**

You must check all electrical equipment and appliances to ensure they are safe before using. You must inspect power supply leads, plugs and all electrical connections for wear and damage. You must ensure the risk of electric shock is minimised by the installation of appropriate safety devices. An RCCB (Residual Current Circuit Breaker) should be incorporated in the main distribution board. We also recommend that an RCD (Residual Current Device) is used with all electrical products. It is particularly important to use an RCD together with portable products that are plugged into an electrical supply not protected by an RCCB. If in doubt consult a qualified electrician. You may obtain a Residual Current Device by contacting your Sealey dealer. **You must** also read and understand the following instructions concerning electrical safety.

- 1.1.1. The **Electricity At Work Act 1989** requires all portable electrical appliances, if used on a business premises, to be tested by a qualified electrician, using a Portable Appliance Tester (PAT), at least once a year.
- 1.1.2. The **Health & Safety at Work Act 1974** makes owners of electrical appliances responsible for the safe condition of the appliance and the safety of the appliance operator. **If in any doubt about electrical safety, contact a qualified electrician.**
- 1.1.3. Ensure the insulation on all cables and the product itself is safe before connecting to the mains power supply. See 1.1.1. & 1.1.2. above and use a Portable Appliance Tester (PAT).
- 1.1.4. Ensure that cables are always protected against short circuit and overload.
- 1.1.5. Regularly inspect power supply leads, plugs for wear and damage and check all electrical connections to ensure that none is loose.
- 1.1.6. **Important:** Ensure the voltage marked on the product is the same as the electrical power supply to be used and check that plugs are fitted with the correct capacity fuse. A 13 amp plug may require a fuse smaller than 13 amps for certain products (*subject to 1.1.10. below*) see fuse rating at right.
- 1.1.7. DO NOT pull or carry the powered appliance by its power supply lead. Products such as welders must not be pulled or carried by their output cables.
- 1.1.8. DO NOT pull power plugs from sockets by the power cable.
- 1.1.9. DO NOT use worn or damaged leads, plugs or connections. Immediately replace or have repaired by a qualified electrician. A U.K. 3 pin plug with ASTA/BS approval is fitted. In case of damage, cut off and fit a new plug according to the following instructions (discard old plug safely).
(UK only - see diagram at right). **Ensure the unit is correctly earthed via a three-pin plug.**
 - a) **Connect the GREEN/YELLOW earth wire to the earth terminal 'E'.**
 - b) **Connect the BROWN live wire to live terminal 'L'.**
 - c) **Connect the BLUE neutral wire to the neutral terminal 'N'.**



FUSE RATING
THIS PRODUCT MUST BE FITTED
WITH A
13 Amp FUSE

After wiring, check there are no bare wires, that all wires have been correctly connected, that the cable outer insulation extends beyond the cable restraint and that the cable restraint is tight.

Double insulated products are often fitted with live (BROWN) and neutral (BLUE) wires only. Double insulated products are always marked with this symbol **To re-wire, connect the brown & blue wires as indicated above. DO NOT connect the brown or blue to the earth terminal.**

- 1.1.10. Some products require more than a 13 amp electrical supply. In such a case, NO plug will be fitted. **You must** contact a qualified electrician to ensure a 30 amp fused supply is available. We recommend you discuss the installation of a industrial round pin plug and socket with your electrician.
- 1.1.11. **Cable extension reels.** When a cable extension reel is used it should be fully unwound before connection. A cable reel with an RCD fitted is recommended since any product which is plugged into the cable reel will be protected. The section of the cores of the cable is important. We suggest at least 1.5mm² section cable, but to be absolutely sure that the capacity of the cable reel is suitable for this product and for others that may be used in the other output sockets, we recommend the use of 2.5mm² section cable.

1.2 GENERAL SAFETY

- 3 Familiarise yourself with this product's application and limitations, as well as the specific potential hazards peculiar to the cleaner.
- p **WARNING!** Disconnect the cleaner from the mains power before servicing or performing any maintenance.
- 3 Maintain the cleaner in good condition (use an authorised service agent).
- 3 Replace or repair damaged parts. *Use genuine parts only. Non-authorized parts may be dangerous and will invalidate the warranty.*
- 3 Keep the unit clean for best and safest performance.
- 7 DO NOT use the cleaner for any purpose other than for which it is designed.
- 7 DO NOT operate the cleaner if any parts are damaged or missing as this may cause failure or possible personal injury.
- 7 DO NOT adjust or tamper with the safety valve.
- 7 DO NOT carry the by the hose or cable.
- 7 DO NOT allow untrained persons to operate the cleaner.
- 7 DO NOT operate the cleaner when you are tired, under the influence of alcohol, drugs or intoxicating medication.
- 7 DO NOT leave the cleaner operating unattended.
- 7 DO NOT direct steam/water from the hose at yourself or others.
- 3 When not in use unplug from the mains power supply and store in a safe, dry, childproof area.

2. INTRODUCTION & SPECIFICATION

The HST500 is a powerful and economic cleaning system which uses tap water and produces pressurised dry steam at 140°C which effectively cleans without the addition of detergents or solvents. A hot water jet is then available to wash away the dirt loosened by the steam. A set of cleaning attachments and a trolley are included.

Specification

Steam pressure, max.5 bar/70psi
 Steam temperature130 - 140°C
 Water capacity4 litres
 Heater230Vac 2.2kW

Features

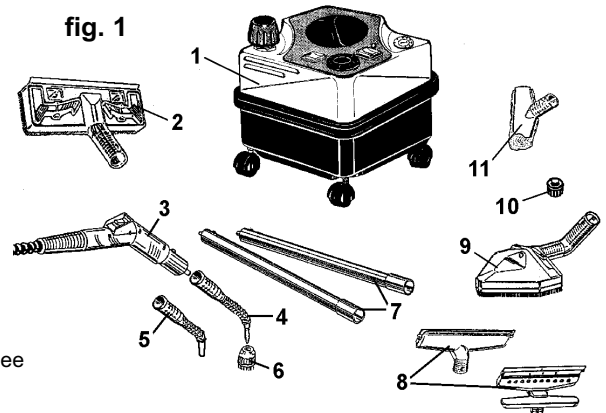
Low water alarm - visual/audible
 Thermostatically controlled heater
 Stainless steel boiler
 Pressure gauge

3. CONTENT & ASSEMBLY

Unpack the product and check contents against the parts listed below. Should there be any damaged or missing parts contact your supplier immediately.

Contents - see fig. 1

- | | |
|-------------------------------|-------------------------------------|
| 1) Cleaner | 7) Extension tubes (2) |
| 2) Floor brush | 8) Window nozzle with squeegee |
| 3) Hose with gun | 9) Triangular brush |
| 4) Long nozzle | 10) Tool, drain plug removal |
| 5) Short nozzle | 11) Fabric and clothes nozzle |
| 6) Small circular brushes (4) | 12) Cleaning cloths (2) - not shown |
| | 13) Trolley - separate package |



4. OPERATION

WARNING! Ensure that you have read and understood and that you apply the safety instructions in Section 1.

Important: Always confirm that the surface/item to be cleaned will not be damaged by hot steam/water.

- 4.1. Remove water filler cap (fig.2.H) by pressing down and turning anticlockwise.
- 4.2. Fill with plain tap water (approx. 4 litres). Replace filler cap by screwing on until knob rotates freely, then press down on knob and tighten.

Note: Do not use any detergents or solvents

- 4.3. Connect the hose by inserting hose connector (fig.2.D) into cleaner socket (fig.2.G). Press red latch button (fig.2.N) during fitting and ensure latch pin engages in hole in socket.
- 4.4. Confirm that the steam flow control (fig.2.C) is closed and that the switches on the gun (fig.3.1) are off ('O').
- 4.5. Connect plug (fig.2.L) to mains supply and switch on green main switch (fig.2.A) and yellow heater switch (fig.2.B). Pilot lights within switches will illuminate.
- 4.6. Press down the retaining pin on the gun (fig.3.2) and fit the required nozzle, ensuring that the pin engages with the hole in the nozzle sleeve. If necessary one of, or both, the extension tubes may be fitted between gun and nozzle.
- 4.7. When the green heater switch pilot light goes out the unit is ready for use. Press the white gun switch (fig.3.1) on ('I') to start the flow of steam to the nozzle. Initially there may be some water ejected from the nozzle until the hose heats up.

DANGER! The dry steam is extremely hot and may well be difficult to see. ALWAYS be aware of the position of the nozzle with respect to yourself and others.

- 4.8. Adjust the flow of steam, with the control knob (fig.2.C), to suit the task. It is advisable to begin with reduced flow and increase gradually until the required level of cleaning is reached.
- 4.9. When the water level gets low the warning light (fig.2.K) comes on and an audible warning sounds. Use the remaining steam, turn off the heater switch and exhaust any remaining pressure through the nozzle (note that, for safety, the filler cap cannot be removed whilst there is pressure in the tank). Now remove filler cap, refill with water, replace cap and turn on heater switch.
- 4.10. If a hot water jet is required, either to remove stubborn dirt or to rinse after steam cleaning, switch on red switch (fig.2.P) and then operate the blue switch (fig.3.1) on the gun. **Only the long nozzle (fig.1.4) should be used with water.**

DANGER! The water is extremely hot. ALWAYS be aware of the position of the nozzle with respect to yourself and others.

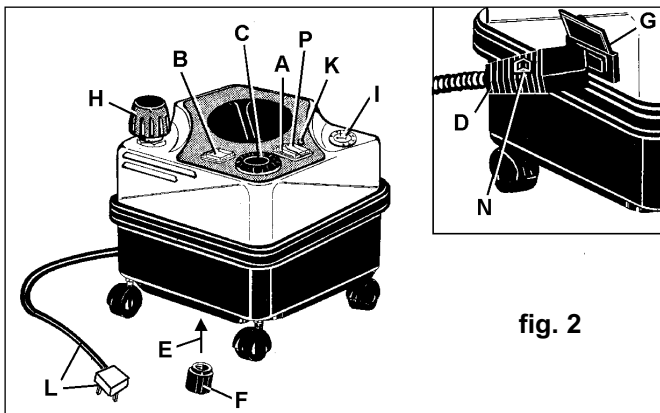


fig. 2

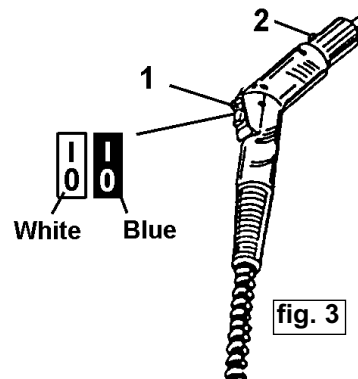


fig. 3

4.11. Nozzle Applications


Nozzle (fig.1 reference)	Typical applications	Comments
Floor brush (2)	Floors and similar large areas	For normal cleaning of domestic floors cover brush with cleaning cloth, retained by spring clips on nozzle.
Long and short nozzles (4 & 5)	General, detailed - car engine & wheels, sanitary fittings etc.	May be used with round brush (6) for stubborn dirt.
Round brush (6)	Detail cleaning	Use on nozzles 4 & 5.
Window nozzle (8)	Windows	Squeegee nozzle for exterior of windows. In winter preheat by holding nozzle 50-100mm from glass and activating steam. For interior, use triangular nozzle with cleaning cloth over bristles.
Triangular brush (9)	General, flat - carpets, interior glass	Use with cleaning cloth, over bristles and retained by spring clips, for glass and carpets.
Fabric nozzle (11)	Fabrics - clothes, vehicle upholstery	Use with elasticated cleaning cloth

- 4.12. When cleaning is finished ensure all switches are 'Off', unplug from mains, clean if necessary and store in a safe, dry, childproof area.
- 4.13. If cleaner is to be stored for some time, drain water from tank by removing drain plug - on underside of unit (fig.2.E) - with tool (fig.2.F) supplied.

5. MAINTENANCE

- 5.1. Keep the unit and accessories clean and free from damage.
- 5.2. At regular intervals, depending on extent of use and local water hardness, descale the tank using a suitable descaling agent.

Declaration of Conformity We, the UK distributor, declare that the product listed below is in conformity with the following standards and directives.

<p align="center">Steam Cleaning System Model HST500</p> <p align="center">73/23/EEC LV Directive 89/336/EEC EMC Directive</p>	<p align="center">CE The construction file for this product is held by the Manufacturer and may be inspected on request by contacting Jack Sealey Ltd.</p> <p align="center">Signed by Mark Sweetman  13th September 1999</p> <p align="center"><i>For Jack Sealey Ltd. Sole distributor of Sealey Power Products.</i></p>
---	--



NOTE: It is our policy to continually improve products and as such we reserve the right to alter data, specifications and component parts without prior notice.

IMPORTANT: No liability is accepted for incorrect use of this product.

WARRANTY: Guarantee is 12 months from purchase date, proof of which will be required for any claim.

INFORMATION: For a copy of our latest catalogue call us on 01284 757525 and leave your full name and address, including postcode.

SEALEY	POWER PRODUCTS	Sole UK Distributor, Sealey Group, Bury St. Edmunds, Suffolk.
---------------	-----------------------	--

 01284 757500	 01284 703534	E-mail: sales@sealey.co.uk
--	--	--